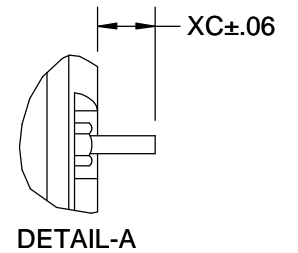
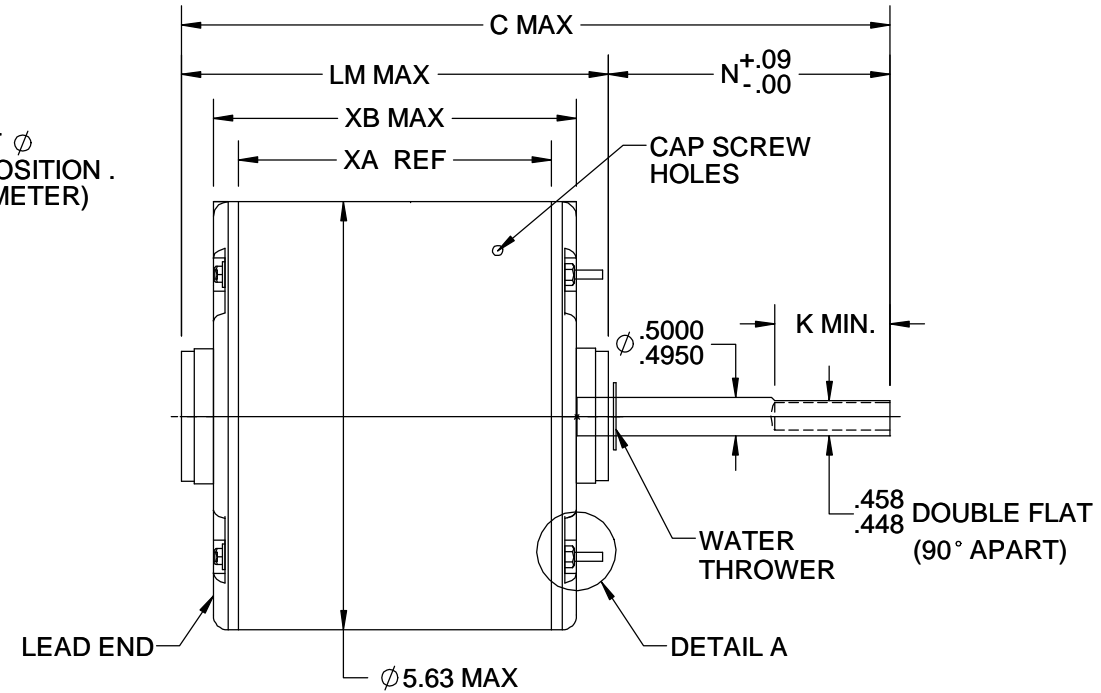
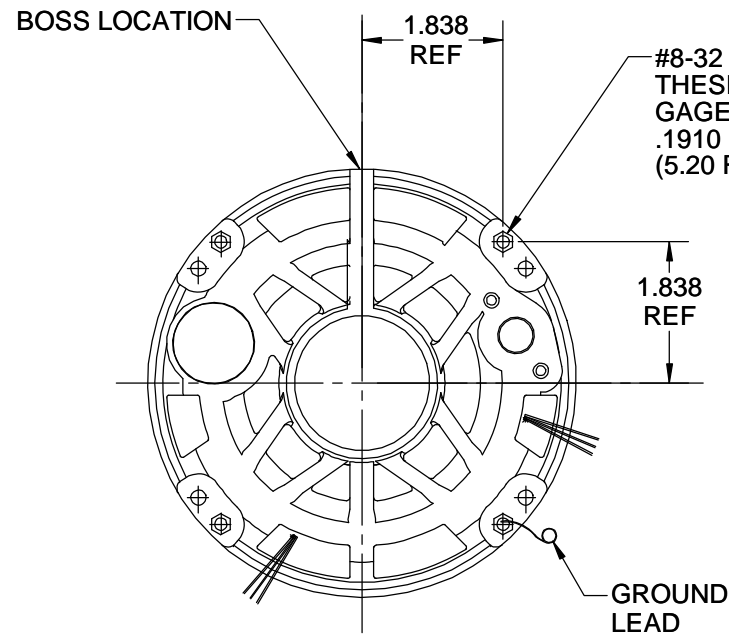


S.NO	CONNECTION	COLOR	EXIT TYPE	EXIT LOC (VIEWING LE)	GAGE	MATERIAL	WALL THK.	LENGTH	TERMINATION	NAMEPLATE DATA	
										MODEL	5KCP39PFM210AS
1	COMMON LEAD	YELLOW	E/S VENT	3:20	18	THERMOPLASTIC	4/64	26.00	.50 BWS	CUST. P/N	STOCK NO 3331
2	CAPACITOR LEAD	BRN/WHT	E/S VENT	3:20	18	THERMOPLASTIC	4/64	26.00	.25 FQC	HP	3/4
3	CAPACITOR LEAD	BROWN	E/S VENT	3:20	18	THERMOPLASTIC	4/64	26.00	.25 FQC	RPM	1075
4	HIGH SPEED LEAD	BLACK	E/S VENT	3:20	18	THERMOPLASTIC	4/64	26.00	.50 BWS	VOLTS	208-230
5	REVERSIBLE LEAD	YELLOW	E/S VENT	6:40	18	EPDM	2/64	5.00	.25 MALE ISQC	HZ	60
6	REVERSIBLE LEAD	ORANGE	E/S VENT	6:40	18	EPDM	2/64	5.00	.25 MALE ISQC	SPEEDS	1
7	REVERSIBLE LEAD	BROWN	E/S VENT	6:40	18	EPDM	2/64	5.00	.25 FISQC LO INS FOR	AMPS	5.10
8	REVERSIBLE LEAD	PURPLE	E/S VENT	6:40	18	EPDM	2/64	5.00	.25 FISQC LO INS FOR	CAP. REQ'D-D1	10.0 µfd/370 Volts
9	GROUND LEAD	GRN_YEL	CLAMP SCREW	4:30	18	THERMOPLASTIC	2/64	12.00	#10 EYELET	CAP. REQ'D-D2	N/R
										CONN.DRW#	NP24X327691
										ROTATION	CCW/CW (VIEWED FROM LE)



NOTE:

- DIMENSIONS SHOWN ARE NOMINAL UNLESS OTHERWISE SPECIFIED.
- NAME PLATE LABEL LOCATION : 360° - CENTER - READ FROM LE.

	1.38	N/R
	XC	XD
12.63	6.00	5.50
C	N	K
	6.56	5.07
	LM	XA
		5.73
		XB

VENTILATION SYSTEM	
SHELL VENTS	CLOSED
ENDSHIELD (OPP.LEAD END)	CLOSED
ENDSHIELD (LEAD END)	OPEN

DRAWING REVISION A	REVISION BY KEP	DATE 10/31/2018
ECO ECO-0154353	APPROVED BY KEP	DATE 10/31/2018
ECO DESCRIPTION REDRAWN IN SW AND RELEASED TO IDS		
<small>COPYRIGHT REGAL BELOIT AMERICA, INC. ALL RIGHTS RESERVED. PROPRIETARY AND CONFIDENTIAL INFORMATION - THIS DOCUMENT IS THE PROPERTY OF REGAL BELOIT AMERICA, INC. ("OWNER") AND CONTAINS OWNER'S PROPRIETARY INFORMATION. ANY PERSON, CORPORATION OR OTHER FIRM RECEIVING IT IS DEEMED, BY RECEIVING IT, TO AGREE THAT IT, AND/OR ANY PART OF IT, SHALL NOT BE DISCLOSED TO ANY PERSON, CORPORATION OR OTHER ENTITY, DUPLICATED, AND/OR USED, EXCEPT AS EXPRESSLY APPROVED IN WRITING IN ADVANCE BY OWNER. THIS DOCUMENT SHALL BE RETURNED TO OWNER UPON REQUEST. IT MAY BE SUBJECT TO CERTAIN RESTRICTIONS UNDER APPLICABLE EXPORT CONTROL LAWS AND REGULATIONS.</small>		

TOLERANCES UNLESS OTHERWISE SPECIFIED:			
DEC.	INCH	mm	ANGLE
.X	±0.1	[±2.5]	±7° 30"
.XX	±0.03	[±0.76]	
.XXX	±0.005	[±0.127]	
.XXXX	±0.0005	[±0.0127]	
REMOVE BURRS & BREAK SHARP EDGES: .003/.015 [.076/.381] CORNER FILLETS: .02 [.51] MACHINED SURFACES: 200 INCH/mm 5.1			
mm SHOWN IN [BRACKETS]			

DRAWN BY KEP
DATE 10/31/2018
APPROVED BY KEP
DATE 10/31/2018
REFERENCE
THIRD ANGLE PROJECTION

REGAL ™ Regal Beloit America, Inc.	
DESCRIPTION OUTLINE (CUST.NAME:DEF PUR)	
MATERIAL	PROCESS/FINISH
SIZE B	DRAWING NUMBER 5KCP39PFM210AS
	SHEET 1 OF 1