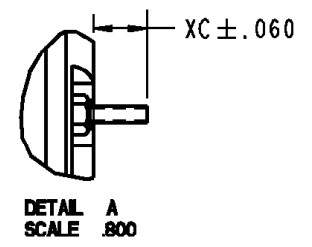
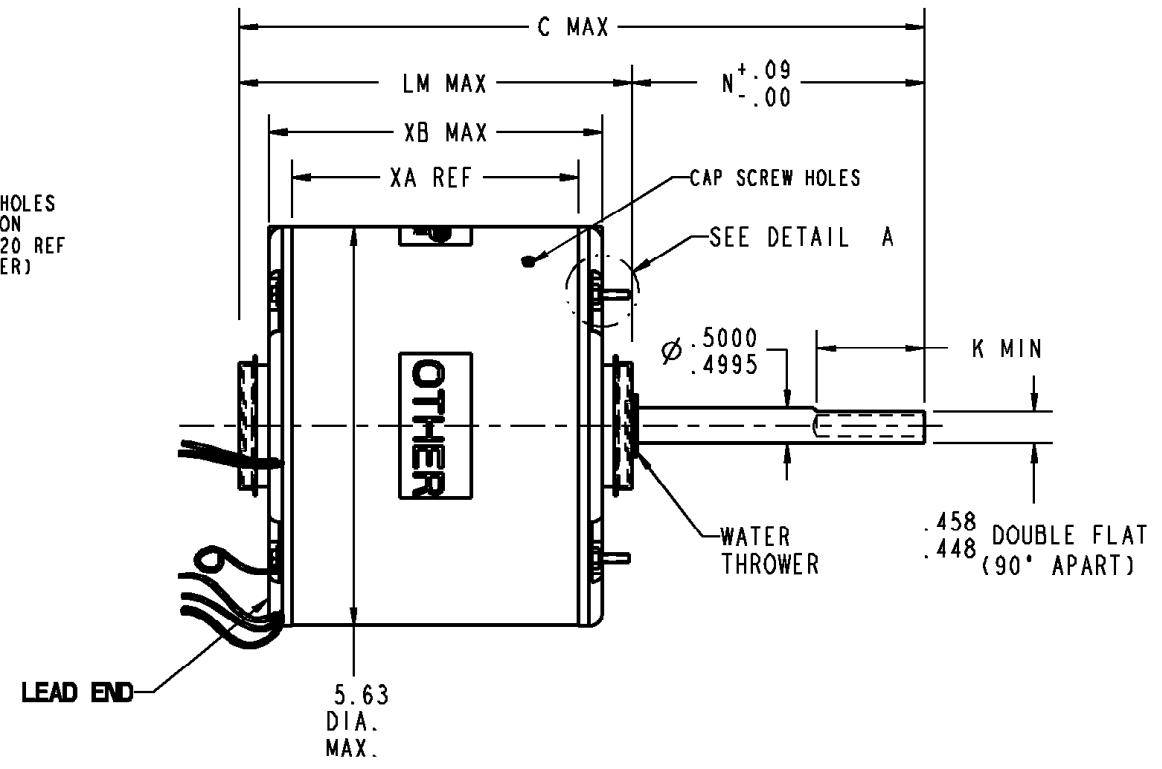
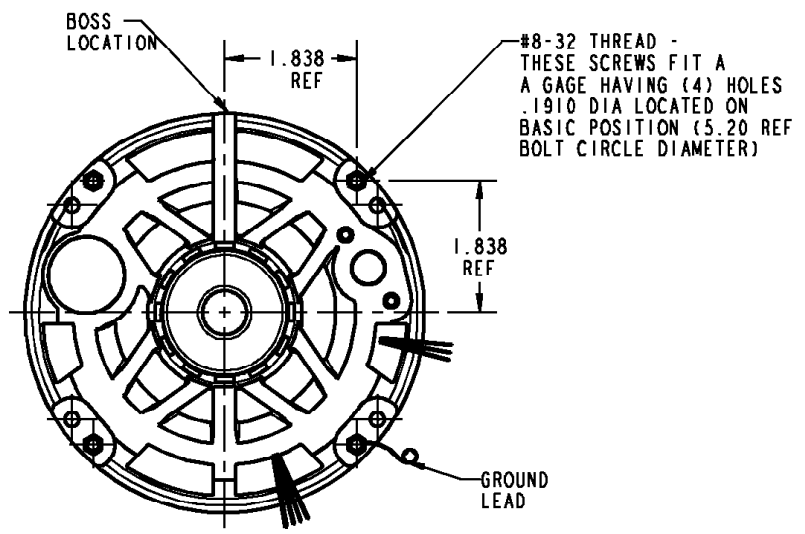


NAME: 100020344 OBJECT: 5KCP39MGK209AS DATE: 05-Dec-11 15:47:10

VENTILATION SYSTEM		RBC PROPRIETARY AND CONFIDENTIAL INFORMATION This document is the property of REGAL BELOIT CORPORATION ("RBC") including its subsidiaries and divisions and contains proprietary information of RBC. This document is loaned on the express condition that neither it nor the information contained therein shall be disclosed to others without the express written consent of RBC, and that the information shall be used by the recipient only as approved expressly by RBC. This document shall be returned to RBC upon its request. This document may be subject to certain restrictions under U.S. export control laws and regulations.	REVISIONS			
SHELL VENTS	CLOSED		REV.	DESCRIPTION	DATE	APPROVED
ENDSHIELD (OPP. LEAD END)	CLOSED		1	REL TO PROD PER IS:11-2171	11/30/11	PRANEETH
ENDSHIELD (LEAD END)	OPEN					

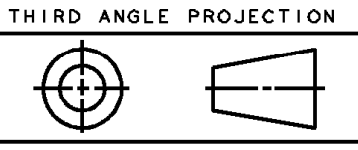


NOTE:
1. DIMENSIONS SHOWN ARE NOMINAL UNLESS OTHERWISE SPECIFIED.

QTY	CONNECTION	COLOR	ENT TYPE	ENT LOC (MEASD LB)	GAGE	MATERIAL	WALL THK	LENGTH	TERMINATION
1	COMMON LEAD	YELLOW	E/S VENT	3:20	18	THERMOPLASTIC	4/64	26.00	.50 BWS
2	REV LEAD	YELLOW	E/S VENT	5:20	18	THERMOPLASTIC	4/64	4.00	.25 STRT QC/INS
3	CAPACITOR LEAD	BRN/WHT	E/S VENT	3:20	18	THERMOPLASTIC	4/64	26.00	.25 FLAG QC
4	REV LEAD	ORANGE	E/S VENT	5:20	18	THERMOPLASTIC	4/64	4.00	.25 STRT QC/INS
5	CAPACITOR LEAD	BROWN	E/S VENT	3:20	18	THERMOPLASTIC	4/64	26.00	.25 FLAG QC
6	REV LEAD	BROWN	E/S VENT	5:20	18	THERMOPLASTIC	4/64	4.00	.25 STRT QC/INS
7	HIGH SPEED LEAD	BLACK	E/S VENT	3:20	18	THERMOPLASTIC	4/64	26.00	.50 BWS
8	REV LEAD	PURPLE	E/S VENT	5:20	18	THERMOPLASTIC	4/64	4.00	.25 STRT QC/INS
9	GROUND	GRN-YEL	CLAMPSCREW	4:30	18	THERMOPLASTIC	2/64	12.00	#10 EYELET

NAMEPLATE DATA	
MODEL	5KCP39MGK209AS
CUST P/N	STOCK NO 3330
HP	1/2
RPM	1075
VOLTS	208-230
HZ	60
SPEEDS	1
AMPS	3.60
CAP REQD-1	10.00µfd/370Volts
CAP REQD-2	N/R
CONN DRW	NP24X327691
ROTATION	CCW/CW (VIEWED FROM LE)

						1.50	N/A
						XC	XD
11.88	6.00	5.50	N/A	N/A	5.81	4.32	4.98
C	N	K	XN	XK	LM	XA	XB



REGAL BELOIT CORPORATION FORTWAYNE, INDIANA

TITLE: **MOTOR OUTLINE**
(CUSTOMER NAME: DEF PUR)

SIZE B DRAWING **5KCP39MGK209AS** REV 1

SCALE: NO ISSUED: 12/05/11 SHEET 1 of 1