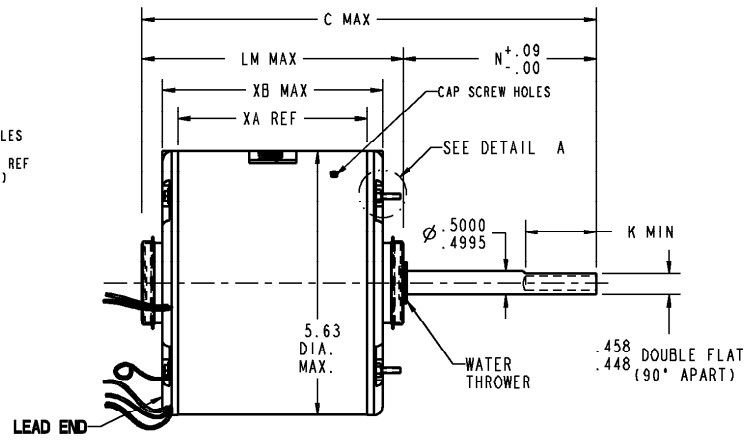
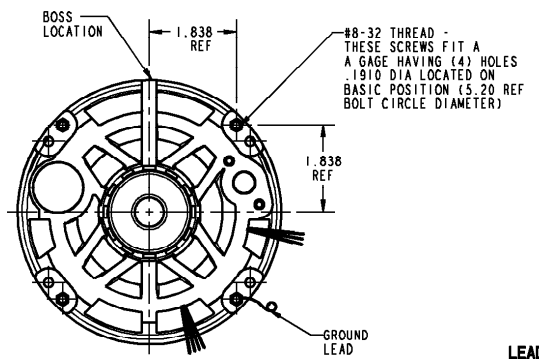


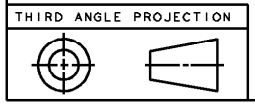
NAME: 100020344 OBJECT: 5KCP39EGP697AS DATE: 23-May-11 19:51:51

VENTILATION SYSTEM		RBC PROPRIETARY AND CONFIDENTIAL INFORMATION	REVISIONS			
SHELL VENTS	CLOSED	This document is the property of REGAL BELOIT CORPORATION ("RBC") including its subsidiaries and divisions and contains proprietary information of RBC. This document is loaned on the express condition that neither it nor the information contained therein shall be disclosed to others without the express written consent of RBC, and that the information shall be used by the recipient only as approved expressly by RBC. This document shall be returned to RBC upon its request. This document may be subject to certain restrictions under U.S. export control laws and regulations.	REV.	DESCRIPTION	DATE	APPROVED
ENDSHIELD (OPP. LEAD END)	CLOSED		1	REL TO PROD PER IS:11-2171	05/23/11	PRANEETH
ENDSHIELD (LEAD END)	OPEN					



NOTE:  
1. DIMENSIONS SHOWN ARE NOMINAL UNLESS OTHERWISE SPECIFIED.

			1.50	N/A			
			XC	XD			
11.13	6.00	5.50	N/A	N/A	5.06	3.57	4.23
C	N	K	XN	XK	LM	XA	XB



WIRE	CONNECTION	COLOR	WIRE TYPE	EXIT LOC. (FEET)	WIRE SIZE	MATERIAL	WIRE LENGTH	TERMINATION
1	COMMON LEAD	YELLOW	E/S VENT	3:20	18	THERMOPLASTIC	4/64 26.00	.50 BWS
2	REV LEAD	YELLOW	E/S VENT	5:20	18	THERMOPLASTIC	4/64 4.00	.25 MALE 1SDC
3	CAPACITOR LEAD	BRN/WHI	E/S VENT	3:20	18	THERMOPLASTIC	4/64 26.00	.25 FLAG DC
4	REV LEAD	ORANGE	E/S VENT	5:20	18	THERMOPLASTIC	4/64 4.00	.25 MALE 1SDC
5	CAPACITOR LEAD	BROWN	E/S VENT	3:20	18	THERMOPLASTIC	4/64 26.00	.25 FLAG DC
6	REV LEAD	BROWN	E/S VENT	5:20	18	THERMOPLASTIC	4/64 4.00	.25 FEMALE 1SDC
7	HIGH SPEED LEAD	BLACK	E/S VENT	3:20	18	THERMOPLASTIC	4/64 26.00	.50 BWS
8	REV LEAD	PURPLE	E/S VENT	5:20	18	THERMOPLASTIC	4/64 4.00	.25 FEMALE 1SDC
9	GROUND	GRN-YEL	CLAMPSCREW	1:30	18	THERMOPLASTIC	2/64 12.00	#10 EYELET

NAMEPLATE DATA	
MODEL	5KCP39EGP697AS
CUST P/N	STOCK NO 3328
HP	1/4
RPM	1075
VOLTS	208-230
HZ	60
* SPEEDS	1
AMPS	1.80
CAP REQD-1	5.00µfd/370
CAP REQD-2	N/R
CONN. GRP	NP24X32T691
ROTATION	CCW/CW (VIEWED FROM LE)

**REGAL-BELOIT CORPORATION**  
FORTWAYNE, INDIANA

TITLE: **MOTOR OUTLINE**  
(CUSTOMER NAME : DEF PUR)

SIZE B DRAWING: **5KCP39EGP697AS** REV 1

SCALE: NO ISSUED: 05/23/11 SHEET 1 of 1