

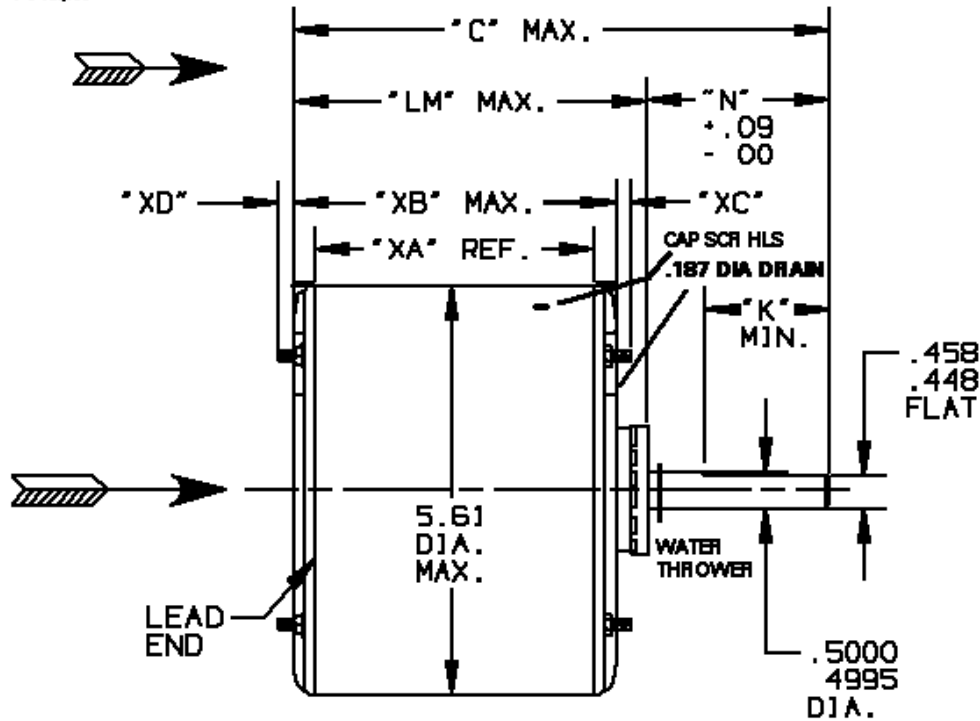
CONFIDENTIAL AND PROPRIETARY

This document is the property of General Electric Company and contains proprietary and confidential information of the Motor Business Group (MBG). The recipient to whom this document is loaned shall be allowed to share with the recipient only on approved projects by MBG. Also, the recipient shall be returned to MBG upon its request.

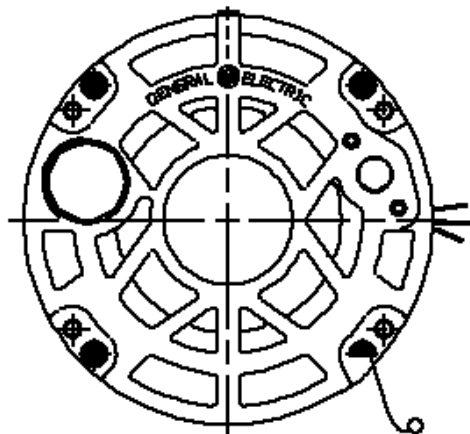
STOCK

REVISIONS

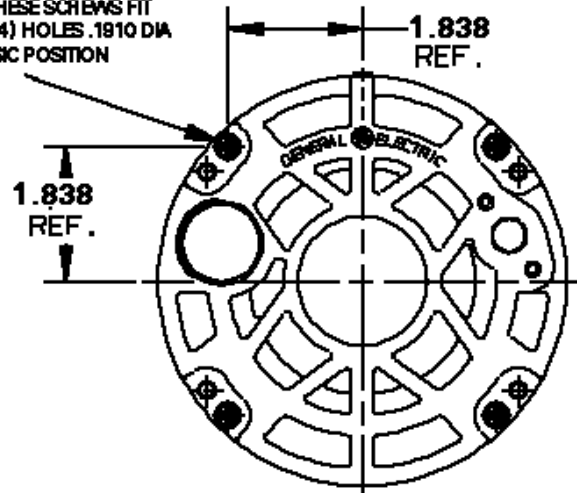
REV	DESCRIPTION
1	CAS 1/8/01 ELECFORMAT



#8-32 THREAD- THESE SCREWS FIT A GAGE HAVING (4) HOLES .1810 DIA LOCATED ON BASIC POSITION



Additional details (Viewing Lead end)



CLAMPSCREW POSITION WHEN 'XC' OR 'XD' EXCEED .14" IF 'XC' OR 'XD' = .14, IT IS A MAX DIM, BUT IF GREATER THAN A .14, VALUE GIVEN IS -.00+.14. IF EXTRA NUTS ARE FURNISHED FOR SPACING, DIMENSION IS FROM NUT NEXT TO END SHIELD.

11.48	6.00	5.50	5.39	4.32	4.98	.75	.50
'C'	'N'	'K'	'LM'	'XA'	'XB'	'XC'	'XD'

Rotation CW/CW viewed in direction of arrow.

Ventilation System:

Shell vents - CLOSED

End shield (opp. lead end) - CLOSED

End shield (lead end) - CLOSED

Leads exit thru SHELL 90 degrees CW from top of motor viewed in direction of arrow.

GENERAL ELECTRIC	
MOTOR BUSINESS GROUP FORT WAYNE, INDIANA	
MOTOR OUTLINE	
MODEL	SCALE
5KCP39MGG403ES	NO
ISSUED	NO
CAS 4/18/95	NO

MODEL

CAD. NO. FH1N

CAD. NO. FH1N