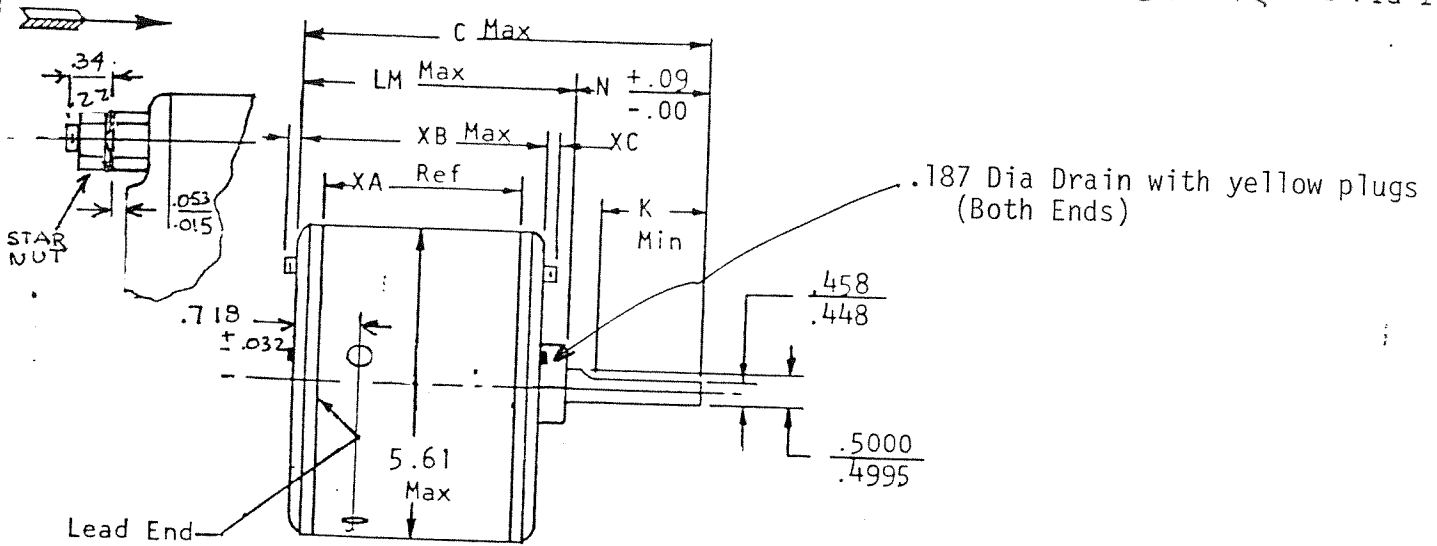


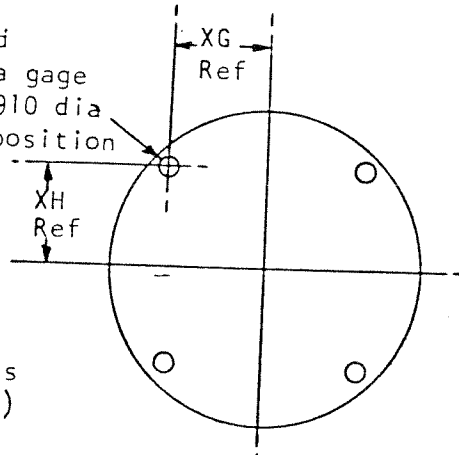
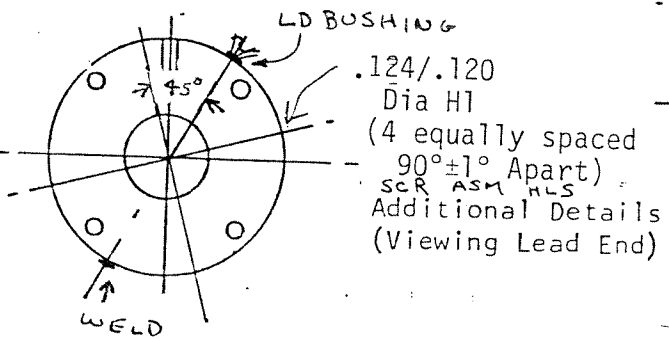


OUTLINE DIMENSIONS

STOCK GE FIG 1



#8-32 Thread
These screws fit a gage having 4 holes .1910 dia located on basic position



Clampscrew Position when XC or XD exceed .14
If XC or XD = .14 it is a max. dim. but if greater than .14, value given is -.00/+ .14.
If extra nuts are furnished for spacing, dimension is from nut next to shield.

2 FLATS 90° APART

C	N	K	LM	XA	XB	XC								
8.46	4.00	3.80	4.39	3.32	3.98	-								

Rotation CCW viewed in direction of arrow.
Ventilation System
Shell - Closed
Opposite lead end shield - Closed
Lead end shield - Closed
Leads exit thru Shell 20 degrees from top of motor viewed in direction of arrow.
Information regarding lead type, color, length, and termination furnished upon request.

S27

FORM SMP-39FR-5

ISSUED
Cas 9-8-88

REVISIONS:
1 MODIFIED THE FORMAT PER CR#05-1777 RB 09/14/05

MODEL
5KCP39FGP087S