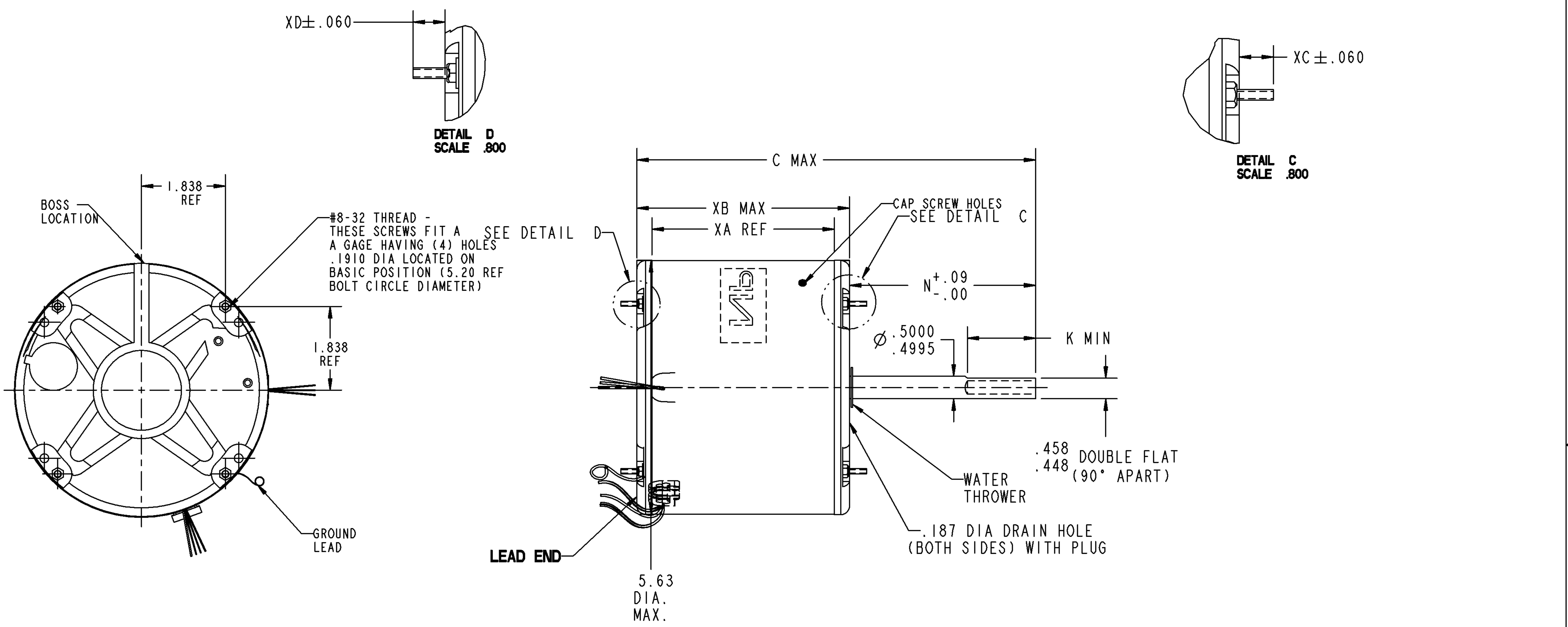


NAME: 501108898 OBJECT: 5KCP39FFBA50S DATE: 07-Dec-06 19:17:52

VENTILATION SYSTEM	
SHELL VENTS	CLOSED
ENDSHIELD (OPP. LEAD END)	CLOSED
ENDSHIELD (LEAD END)	CLOSED

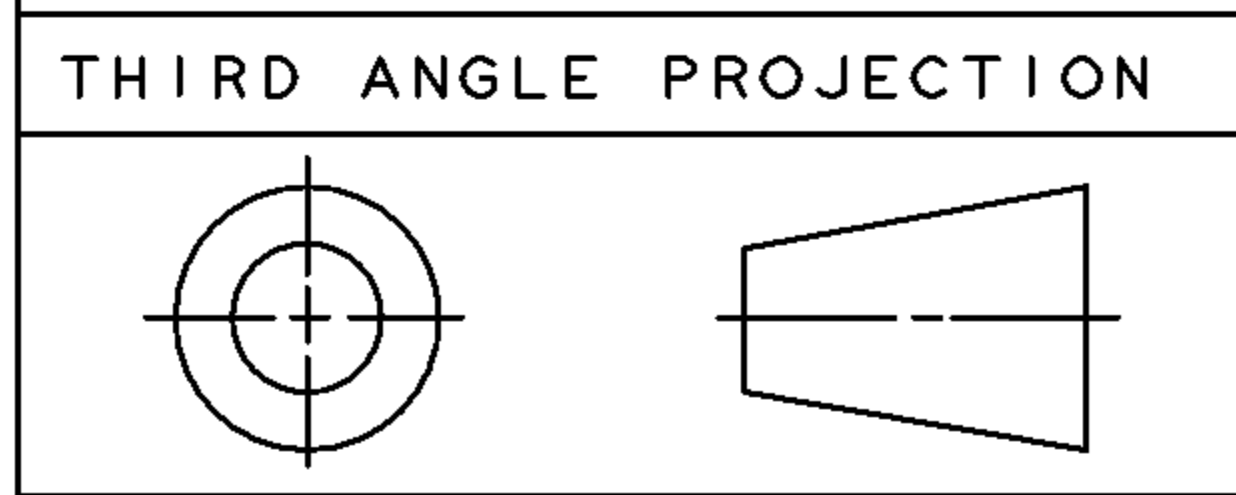
RBC PROPRIETARY AND CONFIDENTIAL INFORMATION  
 This document is the property of REGAL BELOIT CORPORATION ("RBC") including its subsidiaries and divisions and contains proprietary information of RBC. This document is loaned on the express condition that neither it nor the information contained therein shall be disclosed to others without the express written consent of RBC, and that the information shall be used by the recipient only as approved expressly by RBC. This document shall be returned to RBC upon its request. This document may be subject to certain restrictions under U.S. export control laws and regulations.

REVISIONS			
REV.	DESCRIPTION	DATE	APPROVED
1	LEAD EXITS WERE AT 3:20 & 11:20	12/07/06	RAMJ
2	CHANGES MADE PER IS:08-0765	02/27/08	S.KARTHIK



NOTE:  
 1. DIMENSIONS SHOWN ARE NOMINAL UNLESS OTHERWISE SPECIFIED.

							.75	.75
							XC	XD
10.31	6.00	5.50	N/A	N/A	N/A	3.57	4.23	
C	N	K	XN	XK	LM	XA	XB	



SNO	CONNECTION	COLOR	EXIT TYPE	EXIT LOC (VIEWING LE)	GAGE	MATERIAL	WALL THK	LENGTH	TERMINATION
1	COMMON LEAD	YELLOW	LD BUSHING	3:00	18	THERMOPLASTIC	4/64	26.00	.50 BWS
2	REV LEAD	YELLOW	LD BUSHING	5:20	18	EPDM	2/64	5.00	.25 MALE 1SQC
3	CAPACITOR LEAD	BRN/WHT	LD BUSHING	3:00	18	THERMOPLASTIC	4/64	26.00	.25 FQC
4	REV LEAD	ORANGE	LD BUSHING	5:20	18	EPDM	2/64	5.00	.25 MALE 1SQC
5	CAPACITOR LEAD	BROWN	LD BUSHING	3:00	18	THERMOPLASTIC	4/64	26.00	.25 FQC
6	REV LEAD	BROWN	LD BUSHING	5:20	18	EPDM	2/64	5.00	.25 FISQC LO INS FORCE
7	HIGH SPEED LEAD	BLACK	LD BUSHING	3:00	18	THERMOPLASTIC	4/64	26.00	.50 BWS
8	REV LEAD	PURPLE	LD BUSHING	5:20	18	EPDM	2/64	5.00	.25 FISQC LO INS FORCE
9	GROUND	GRN-YEL	CLAMPSCREW	4:30	18	THERMOPLASTIC	2/64	12.00	#10 EYELET

NAMEPLATE DATA	
MODEL	5KCP39FFBA50S
CUST P/N	N/R
HP	1/6
RPM	825
VOLTS	208-230
HZ	60
SPEEDS	1
AMPS	1.00
CAP REQD-1	5.00µfd/370Volts
CAP REQD-2	N/R
CONN. DRW#	NP24X327691
ROTATION	CCW/CW (VIEWED FROM LE)

REGAL BELOIT CORPORATION  
 FORTWAYNE, INDIANA

TITLE: **MOTOR OUTLINE**  
 ( CUSTOMER NAME : REGAL BELOIT )

SIZE: DRAWING B  
 SCALE: NO  
 ISSUED: 12/7/06

5KCP39FFBA50S REV 2  
 SHEET 1 of 1