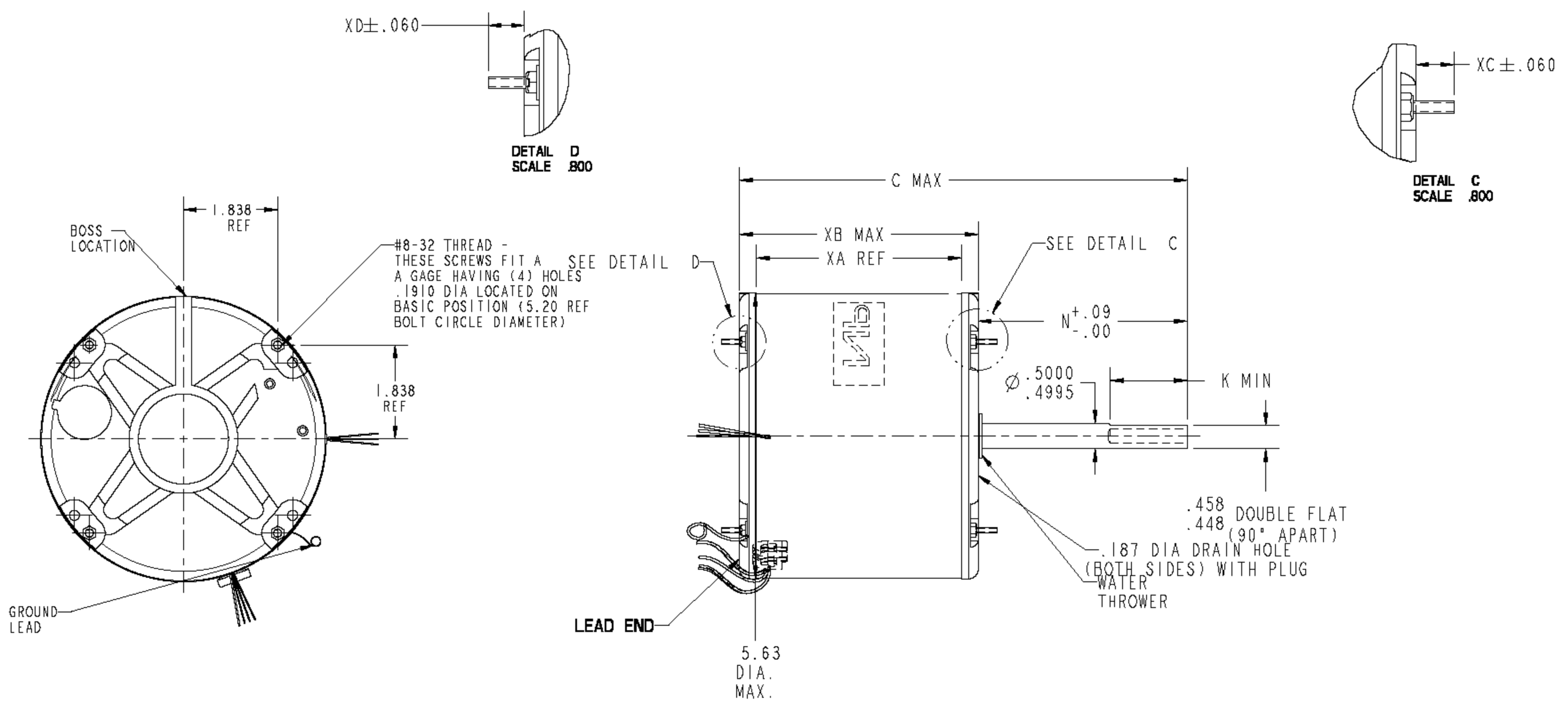


VENTILATION SYSTEM	
SHELL VENTS	CLOSED
ENDSHIELD (OPP. LEAD END)	CLOSED
ENDSHIELD (LEAD END)	CLOSED

RBC PROPRIETARY AND CONFIDENTIAL INFORMATION
 This document is the property of REGAL BELOIT CORPORATION ("RBC") including its subsidiaries and divisions and contains proprietary information of RBC. This document is loaned on the express condition that neither it nor the information contained therein shall be disclosed to others without the express written consent of RBC, and that the information shall be used by the recipient only as approved expressly by RBC. This document shall be returned to RBC upon its request. This document may be subject to certain restrictions under U.S. export control laws and regulations.

REVISIONS			
REV.	DESCRIPTION	DATE	APPROVED
1	LD EXT WERE 3:20 & 11:20; RELSD TO PROD; IS: 07-2135	09/21/07	RAMJ



NOTE:
 1. DIMENSIONS SHOWN ARE NOMINAL UNLESS OTHERWISE SPECIFIED.

							.75	.75
							XC	XD
10.31	6.00	5.50	N/A	N/A	N/A	3.57	4.23	
C	N	K	XN	XK	LM	XA	XB	

SND	CONNECTION	COLOR	EXIT TYPE	EXIT LOC (VIEWING LE)	GAGE	MATERIAL	WALL THK	LENGTH	TERMINATION
1	COMMON LEAD	YELLOW	4-5 LD BUSHING	3:00	18	THERMOPLASTIC	4/64	28.00	.50 BWS
2	REV LEAD	YELLOW	4-5 LD BUSHING	5:20	18	EPDM	2/64	5:00	.25 MALE 15QC
3	CAPACITOR LEAD	BRN/WHT	4-5 LD BUSHING	3:00	18	THERMOPLASTIC	4/64	28.00	.25 FGC
4	REV LEAD	ORANGE	4-5 LD BUSHING	5:20	18	EPDM	2/64	5:00	.25 MALE 15QC
5	CAPACITOR LEAD	BROWN	4-5 LD BUSHING	3:00	18	THERMOPLASTIC	4/64	28.00	.25 FGC
6	REV LEAD	BROWN	4-5 LD BUSHING	5:20	18	EPDM	2/64	5:00	.25 FISQC LO INS FORCE
7	HIGH SPEED LEAD	BLACK	4-5 LD BUSHING	3:00	18	THERMOPLASTIC	4/64	28.00	.50 BWS
8	REV LEAD	PURPLE	4-5 LD BUSHING	5:20	18	EPDM	2/64	5:00	.25 FISQC LO INS FORCE
9	GROUND	GRN-YEL	CLAMPSCREW	4:30	18	THERMOPLASTIC	2/64	12.00	#10 EYELET

NAMEPLATE DATA	
MODEL	5KCP39DFBA68S
CUST P/N	STOCK NO 3202
HP	1/8
RPM	825
VOLTS	208-230
HZ	60/50
SPEEDS	1
AMPS	0.85
CAP REQD1	5.00µfd/370Volts
CAP REQD2	N/R
CONN DRW*	NP24X327691
ROTATION	CCW/CW (VIEWED FROM LE)

REGAL BELOIT REGAL-BELOIT CORPORATION FORTWAYNE, INDIANA

TITLE **MOTOR OUTLINE**
(CUSTOMER NAME : DEF PUR)

SIZE B DRAWING **5KCP39DFBA68S** REV 1

SCALE: NO ISSUED: 09/21/07 SHEET 1 of 1

