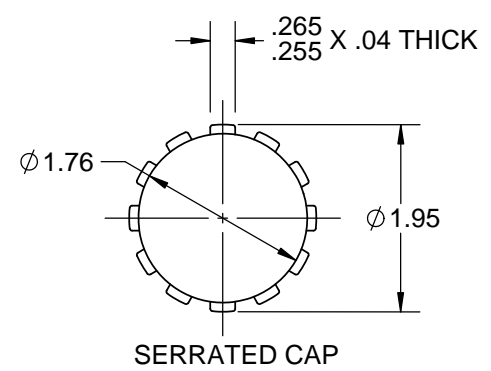
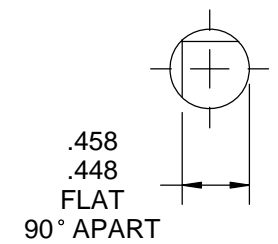
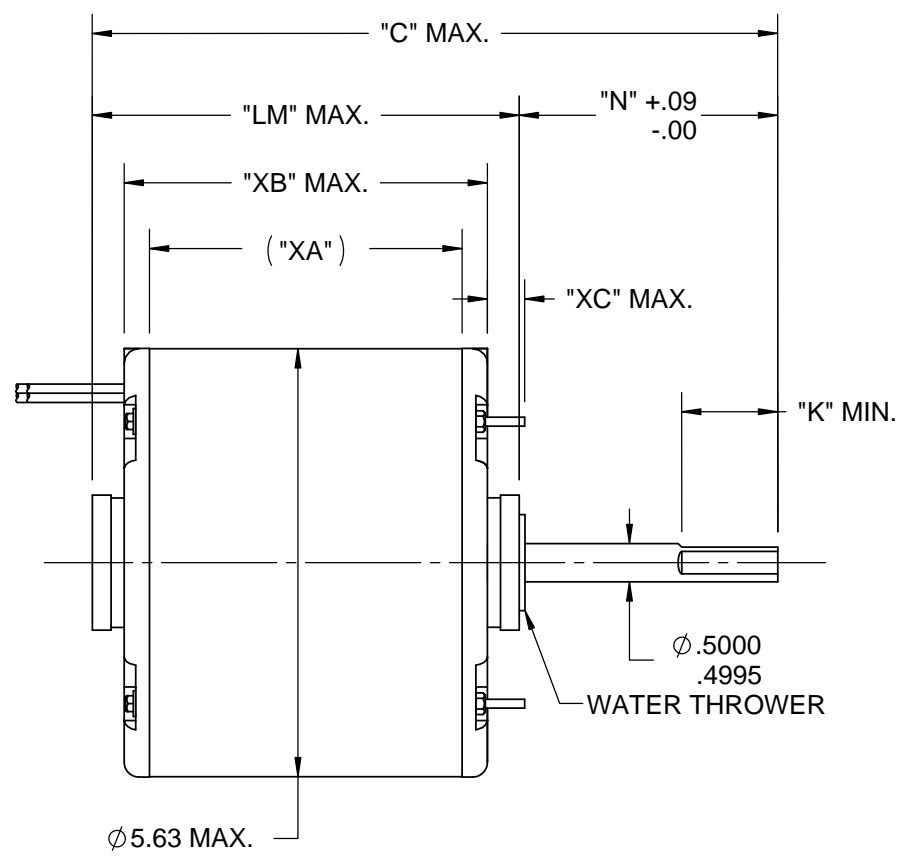
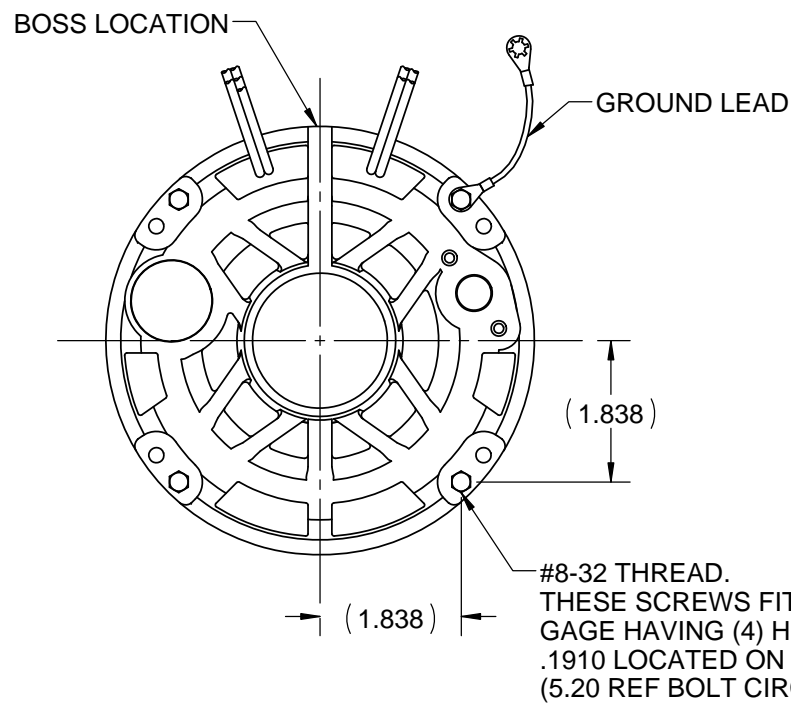


S.NO	CONNECTION	COLOR	EXIT TYPE	EXIT LOC (VIEWING LE)	GAGE	MATERIAL	WALL THK.	LENGTH	TERMINATION
1	COMMON LEAD	YELLOW	E/S VENT	11:20	18	THERMOPLASTIC	4/64	26.00	.50 BWS
2	HIGH SPEED LEAD	BLACK	E/S VENT	11:20	18	THERMOPLASTIC	4/64	26.00	.50 BWS
3	LOW SPEED LEAD	RED	E/S VENT	11:20	18	THERMOPLASTIC	4/64	26.00	.50 BWS
4	CAPACITOR LEAD	BROWN	E/S VENT	11:20	18	THERMOPLASTIC	4/64	26.00	.50 BWS
5	CAPACITOR LEAD	BRN/WHT	E/S VENT	11:20	18	THERMOPLASTIC	4/64	26.00	.50 BWS
6	REVERSING LEAD	BROWN	E/S VENT	12:40	18	THERMOPLASTIC	4/64	4.00	.25 STRT QC/INS
7	REVERSING LEAD	YELLOW	E/S VENT	12:40	18	THERMOPLASTIC	4/64	4.00	.25 STRT QC/INS
8	REVERSING LEAD	ORANGE	E/S VENT	12:40	18	THERMOPLASTIC	4/64	4.00	.25 STRT QC/INS
9	REVERSING LEAD	PURPLE	E/S VENT	12:40	18	THERMOPLASTIC	4/64	4.00	.25 STRT QC/INS
10	GROUND LEAD	GRN/YEL	CLAMP SCREW	1:30	18	THERMOPLASTIC	2/64	12.00	#10 EYELET

NAMEPLATE DATA	
MODEL	5KCP39GGC124ES
CUST. P/N	STOCK NO. 3046
HP	1/4
RPM	1075
VOLTS	208-230
HZ	60/50
SPEEDS	2
AMPS	1.50
CAP. REQ'D-D1	5 µfd/370 Volts
CAP. REQ'D-D2	N/R
CONN.DRW#	NP24X327715
ROTATION	CCW/CW (VIEWED FROM LE)



11.13	6.00	5.50	5.06	3.57	4.23	1.50
"C"	"N"	"K"	"LM"	"XA"	"XB"	"XC"

NOTE:
 1) DIMENSIONS SHOWN ARE NOMINAL UNLESS OTHERWISE SPECIFIED.
 2) NAME PLATE LABEL LOCATION : 360° - CENTER - READ FROM LE.

DRAWING REVISION C		REVISION BY J. Rupert	DATE 11-14-2016		DRAWN BY RAW	Regal Beloit America, Inc.
ECO ECO-0113031		APPROVED BY J. Rupert	DATE 11-14-2016		DATE 11-11-1980	
ECO DESCRIPTION		REDRAWN IN SOLIDWORKS COPYRIGHT REGAL BELOIT AMERICA, INC. ALL RIGHTS RESERVED. PROPRIETARY AND CONFIDENTIAL INFORMATION - THIS DOCUMENT IS THE PROPERTY OF REGAL BELOIT AMERICA, INC. ("OWNER") AND CONTAINS OWNER'S PROPRIETARY INFORMATION. ANY PERSON, CORPORATION OR OTHER FIRM RECEIVING IT IS DEEMED BY RECEIVING IT, TO AGREE THAT IT, AND/OR ANY PART OF IT, SHALL NOT BE DISCLOSED TO ANY PERSON, CORPORATION OR OTHER ENTITY, DUPLICATED, AND/OR USED, EXCEPT AS EXPRESSLY APPROVED IN WRITING IN ADVANCE BY OWNER. THIS DOCUMENT SHALL BE RETURNED TO OWNER UPON REQUEST. IT MAY BE SUBJECT TO CERTAIN RESTRICTIONS UNDER APPLICABLE EXPORT CONTROL LAWS AND REGULATIONS.				
VENTILATION SYSTEM		SHELL VENTS CLOSED ENDSHIELD (OPP.LEAD END) CLOSED ENDSHIELD (LEAD END) OPEN			APPROVED BY RAW	DESCRIPTION
					DATE 11-11-1980	OUTLINE CUSTOMER - DEF PUR
					PROCESS/FINISH	MATERIAL
					THIRD ANGLE PROJECTION	SIZE B
					DRAWING NUMBER 5KCP39GGC124ES	
					SHEET 1 OF 1	