

RBC PROPRIETARY AND CONFIDENTIAL INFORMATION

This document is the property of REGAL BELOIT CORPORATION ("RBC") including its subsidiaries and divisions and contains proprietary information of RBC. This document is loaned on the express condition that neither it nor the information contained therein shall be disclosed to others without the express written consent of RBC, and that the information shall be used by the recipient only as approved expressly by RBC. This document shall be returned to RBC upon its request. This document may be subject to certain restrictions under U.S. export control laws and regulations.

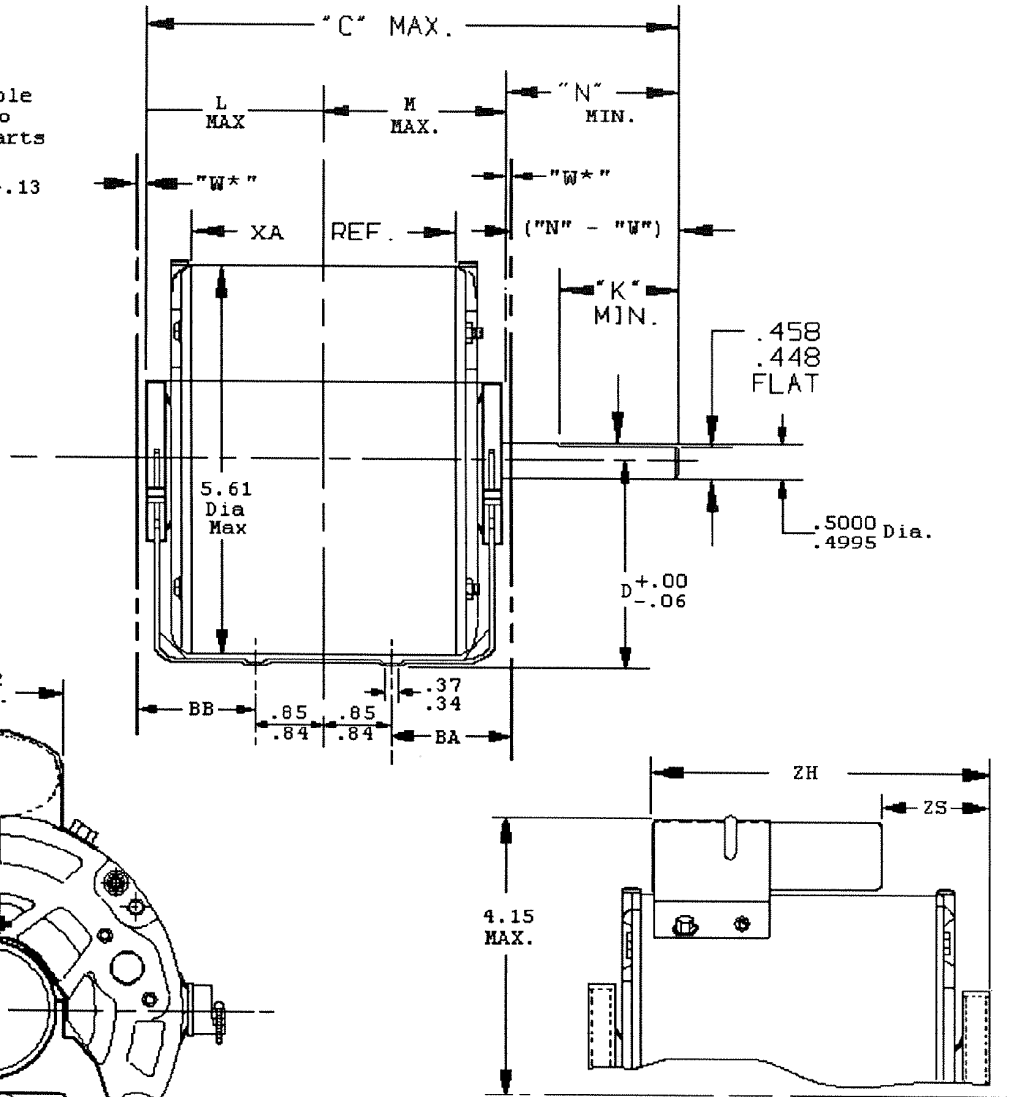
STOCK #3001

REVISIONS	
REV	DESCRIPTION
1	MODIFIED PER IS:11-2459 GPK 06/09/11

"W*" is a variable clearance due to variations in parts and assembly.
 $N - W = +.09$ to $-.13$

MODEL

VIEW
 ROTATION



Mounted capacitor when specified (39 Frame base)

CAD. NO. OLM 36

ADDITIONAL DETAILS (VIEWING LEAD END)

9.14	3.50	2.50	3.38	2.34	1.50	-	4.07	3.00	5.83	7.17	4.81	1.23
C	N	K	L	M	BA	BB	XA	D	O	XO	ZH	ZS

ROTATION CW VIEWED IN DIRECTION OF ARROW.
 VENTILATION SYSTEM
 SHELL CLOSED
 OPPOSITE LEAD END SHIELD OPEN
 LEAD END SHIELD OPEN
 LEADS EXIT THRU SHELL 90 DEGREES FROM TOP OF MOTOR VIEWED IN DIRECTION OF ARROW



REGAL-BELOIT CORPORATION

MOTOR OUTLINE

MODEL	ISSUED	SCALE
5KCP39KG1369BS	NT 3/31/10	4

CAD. NO. OLM36