

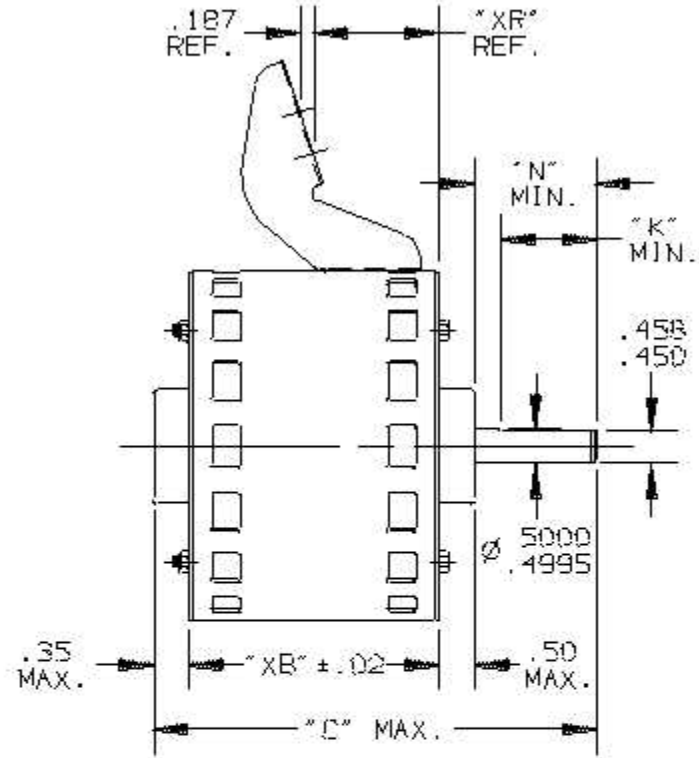
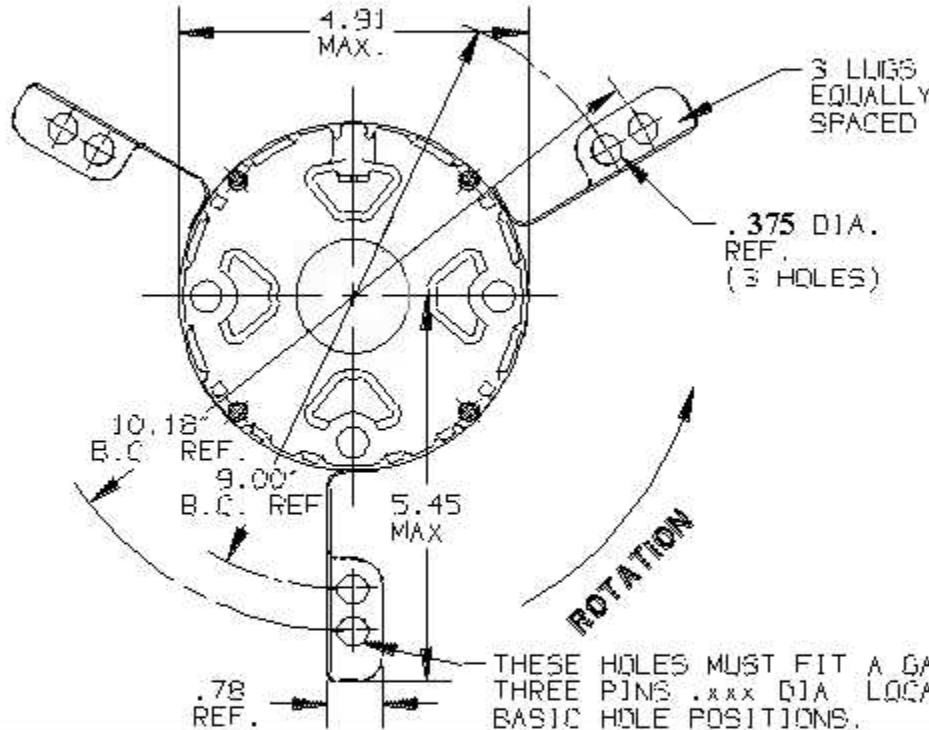
RBC PROPRIETARY AND CONFIDENTIAL INFORMATION

This document is the property of Regal Beloit Corporation ("RBC") including its subsidiaries and divisions and contains proprietary information of RBC. This document is loaned on the express condition that neither it nor the information contained therein shall be disclosed to others without the express written consent of RBC, and that the information shall be used by the recipient only as approved expressly by RBC. This document shall be returned to RBC upon its request. This document may be subject to certain restrictions under US export control laws and regulations.

REVISIONS

REV	DESCRIPTION	DATE	APPROVED
-----	-------------	------	----------

**LUGS FOR 9/10" BLOWER WHEEL  
GROMMETS IN 9"  
HOLES IN LUGS ARE FOR .25 DIA. SCREW**



ENCLOSURES		LEAD DESCRIPTION	SPECIAL FEATURES	10.54	4.06	5.50	4.50	1.70	-	-	-
				"C"	"XB"	"N"	"K"	"XR"	-	-	-
END SHIELDS:	O.E.: OPEN P.E.: OPEN	(4) S/CND#18 GA .030W EPDM 73.5/70.5 LG W/.69 BWS OUT BX CONN 170 DEG RHS		<p>REGAL-BELOIT CORPORATION</p> <p><b>MOTOR OUTLINE</b></p> <p>F.M.F. DEF PUR FT. WAYNE, IN</p>							
SHELL:	O.E.: OPEN P.E.: OPEN	(2) S/CND #18 GA .060W EPDM 13.0/11.0 LG W/.25 SQC OUT BX HOLE 10 DEG LHS									
THIRD ANGLE PROJECTION				<p>MODEL 5KCP29KK8983 S</p> <p>ISSUED 2/26/08</p> <p>DATE G.SHONK</p> <p>SIZE A</p>							

