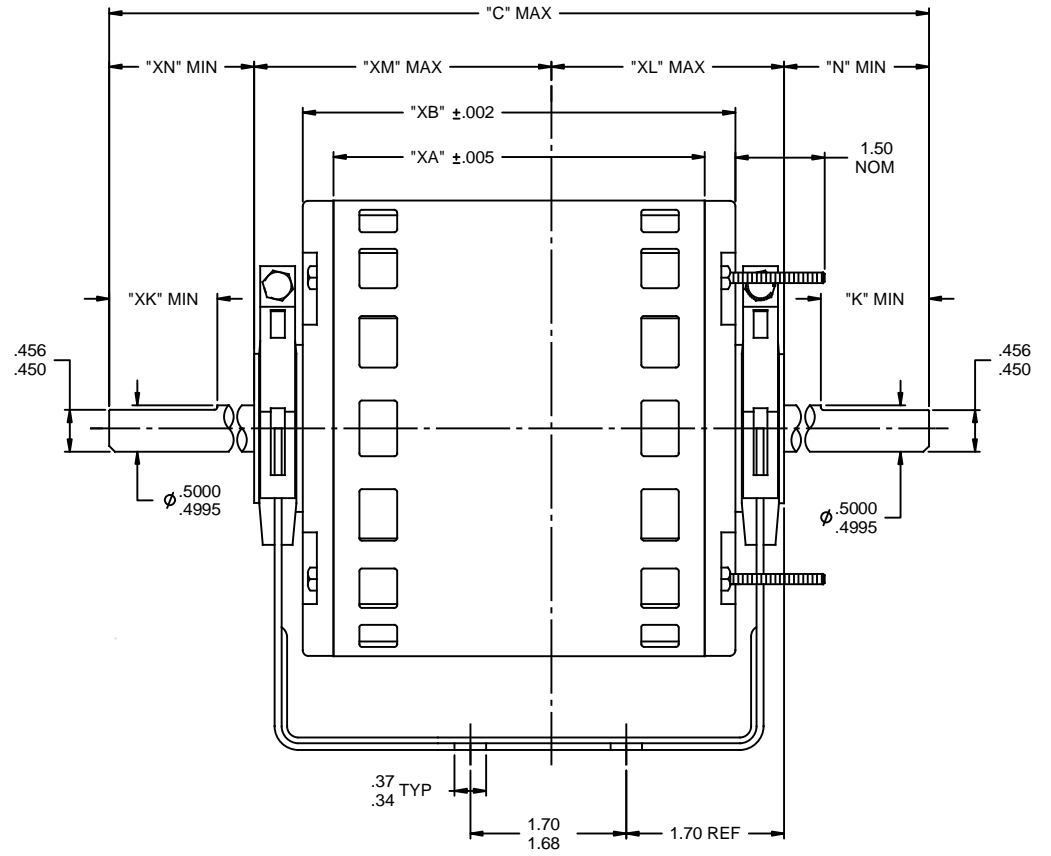
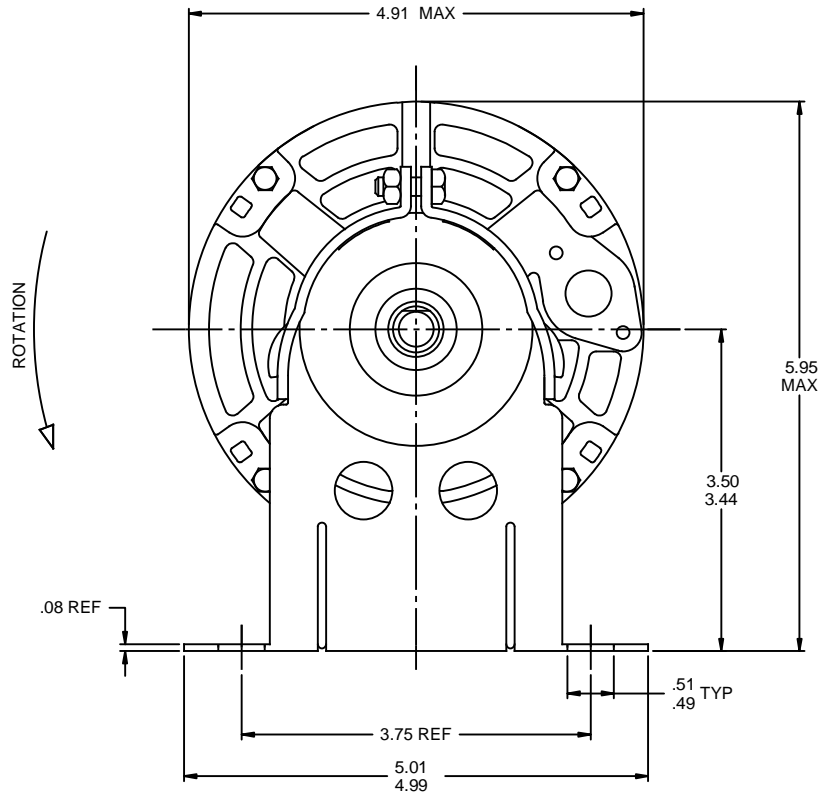


RBC PROPRIETARY AND CONFIDENTIAL INFORMATION
 This document is the property of REGAL BELOIT CORPORATION ("RBC") including its subsidiaries and divisions and contains proprietary information of RBC. This document is loaned on the express condition that neither it nor the information contained therein shall be disclosed to others without the express written consent of RBC, and that the information shall be used by the recipient only as approved expressly by RBC. This document shall be returned to RBC upon its request. This document may be subject to certain restrictions under U.S. export control laws and regulations.



| SPECIAL FEATURES | LEAD DESCRIPTION |
|-----------------------------|---|
| NOTE: BASE IS NOT ASSEMBLED | OE SHELL NOTCH 90 DEG RHS 4/64 EPDM #18 GAGE 28.0/24.0 LG WH-COM,BA-HI,BU-MED HI, OR-MED LO, RE-LD .69 BWS BR-CAP,BR-WH-CAP .25 SQC CAPACITOR:BY CUST HOLES DRILLED AT TOP OILER: AT TOP W/PLUG GRD LD: ENDSHIELD COND HOLE |

| | | "C" | "N" | "K" | "XN" | "XK" | "XL" | "XM" | | |
|--|--|-----------------------------------|------|---------------------------------|------|--------------------------|------|---------------------|--|--|
| | | 21.755 | 8.00 | 7.50 | 8.00 | 7.50 | 2.57 | 3.13 | | |
| | | TOLERANCES UNLESS SPECIFIED | | INCHES | | REGAL BELOIT CORPORATION | | DRAWN GFS 11/17/10 | | |
| | | X ±.1 | | XX ±.01 | | XXX ±.005 | | CHK | | |
| | | 01 REPLACED ES FROM STEEL TO ALUM | | GFS 11/17/2010 | | XX XXXX ±.0005 | | APPR | | |
| | | REVISION | | BY & DATE | | CHK ANG ±1/2° | | TITLE 29 FR OUTLINE | | |
| | | THIRD ANGLE PROJECTION | | RFP | | PREV | | SCALE 3:4 | | |
| | | | | NETWORK FILE NAME 5kcp29fg5869s | | FINISH | | REF | | |
| | | | | SIZE B | | DRAWING NO 5KCP29FG5869S | | FMF | | |
| | | | | | | | | PAGE OF | | |
| | | | | | | | | REV 01 | | |