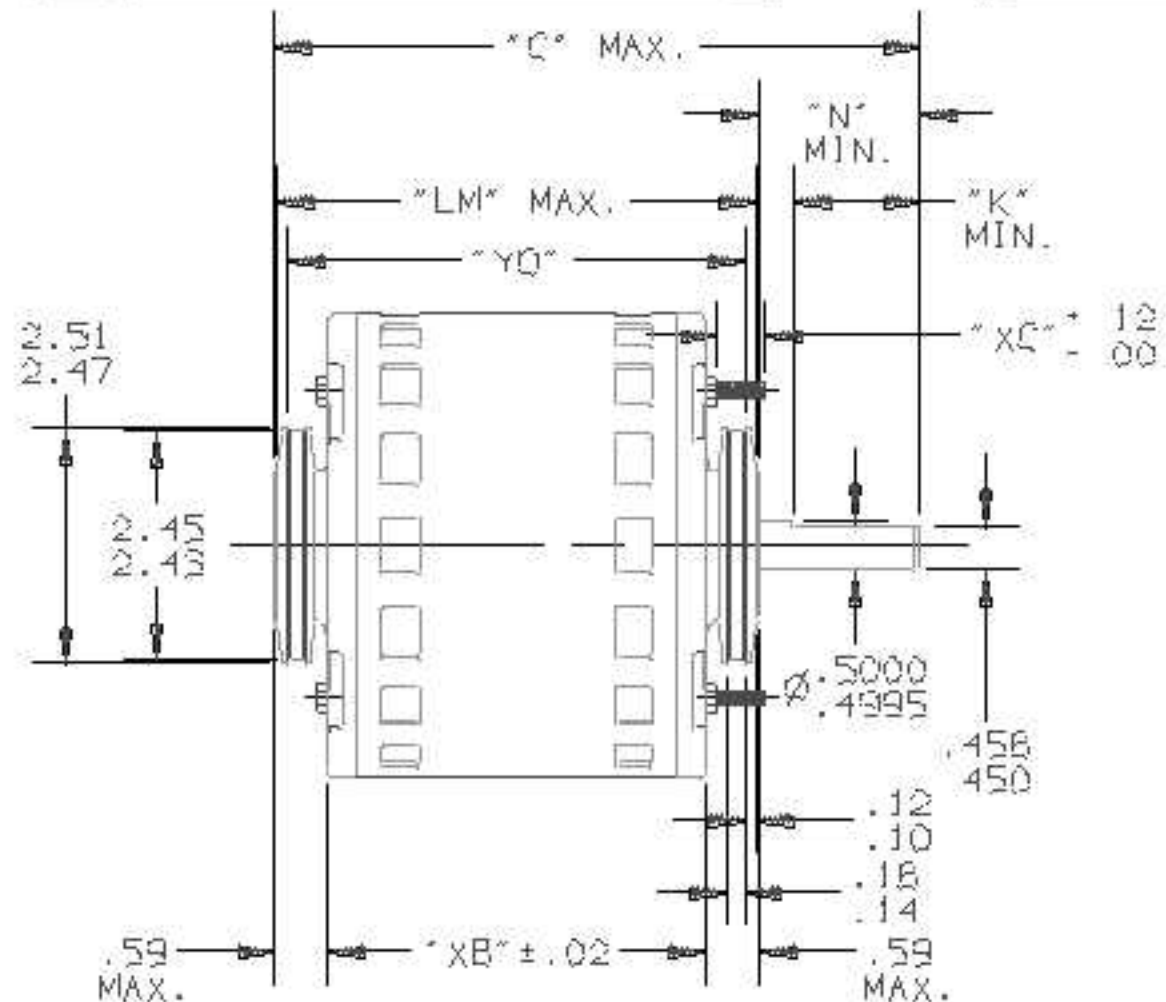
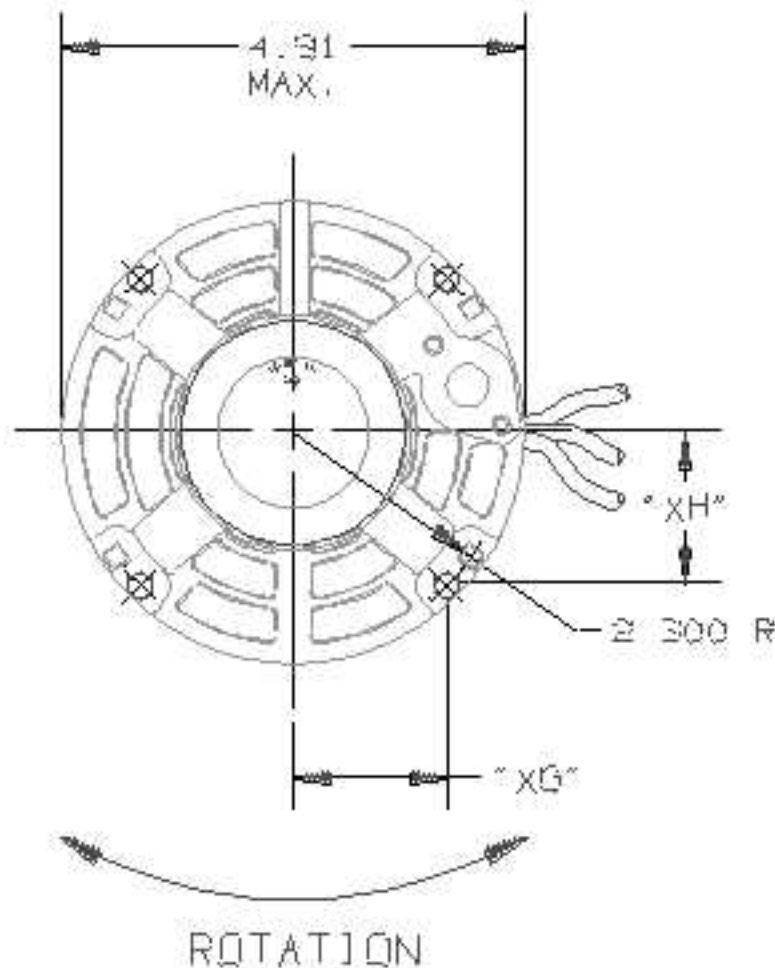


**RBC PROPRIETARY AND CONFIDENTIAL INFORMATION**

This document is the property of Regal Beloit Corporation ("RBC") including its subsidiaries and divisions and contains proprietary information of RBC. This document is loaned on the express condition that neither it nor the information contained therein shall be disclosed to others without the express written consent of RBC, and that the information shall be used by the recipient only as approved expressly by RBC. This document shall be returned to RBC upon its request. This document may be subject to certain restrictions under US export control laws and regulations.

**REVISIONS**

REV	DESCRIPTION	DATE	APPROVED
1	OUTLINE REDRAWN ON CAD	12/01/99	KMY
2	REVISED PROPRIETARY AND LOGO	7/29/05	G.SHONK



1	626	-	-	-	-	-	-	-
"XH"	-	-	-	-	-	-	-	-
10.18	5.01	4.00	3.50	6.09	5.87	.78	1.628	
"C"	"XB"	"N"	"K"	"LM"	"YQ"	"XC"	"XG"	

ENCLOSURES	
END SHIELDS:	O.E.: OPEN P.E.: OPEN
SHELL:	O.E.: OPEN P.E.: OPEN
THIRD ANGLE PROJECTION	

LEAD DESCRIPTION
(10) #18 3' COND 4/84 THERM 27.0" / 25.0" LG. W/ .59 BWS WH, BA, BU, RE 27.0" / 25.0" LG. W/ .25 SOC- BW, BR 7.0" / 5.0" LG W/ .25 F150C- BR, PU 7.0" / 5.0" LG. W/ .25 M150C- DR, YE OUT OPE SHELL NOTCH 90°

SPECIAL FEATURES
GROUND LEAD: 12.0" LG OUT OPE ES LEAD HOLE



**REGAL-BELOIT CORPORATION**

**MOTOR OUTLINE**

**F.M.F. STOCK** **FT. WAYNE, IN**

MODEL	ISSUED	R. FRANKE	SIZE
5KCP29MG5859AS	DATE	05/12/98	A