

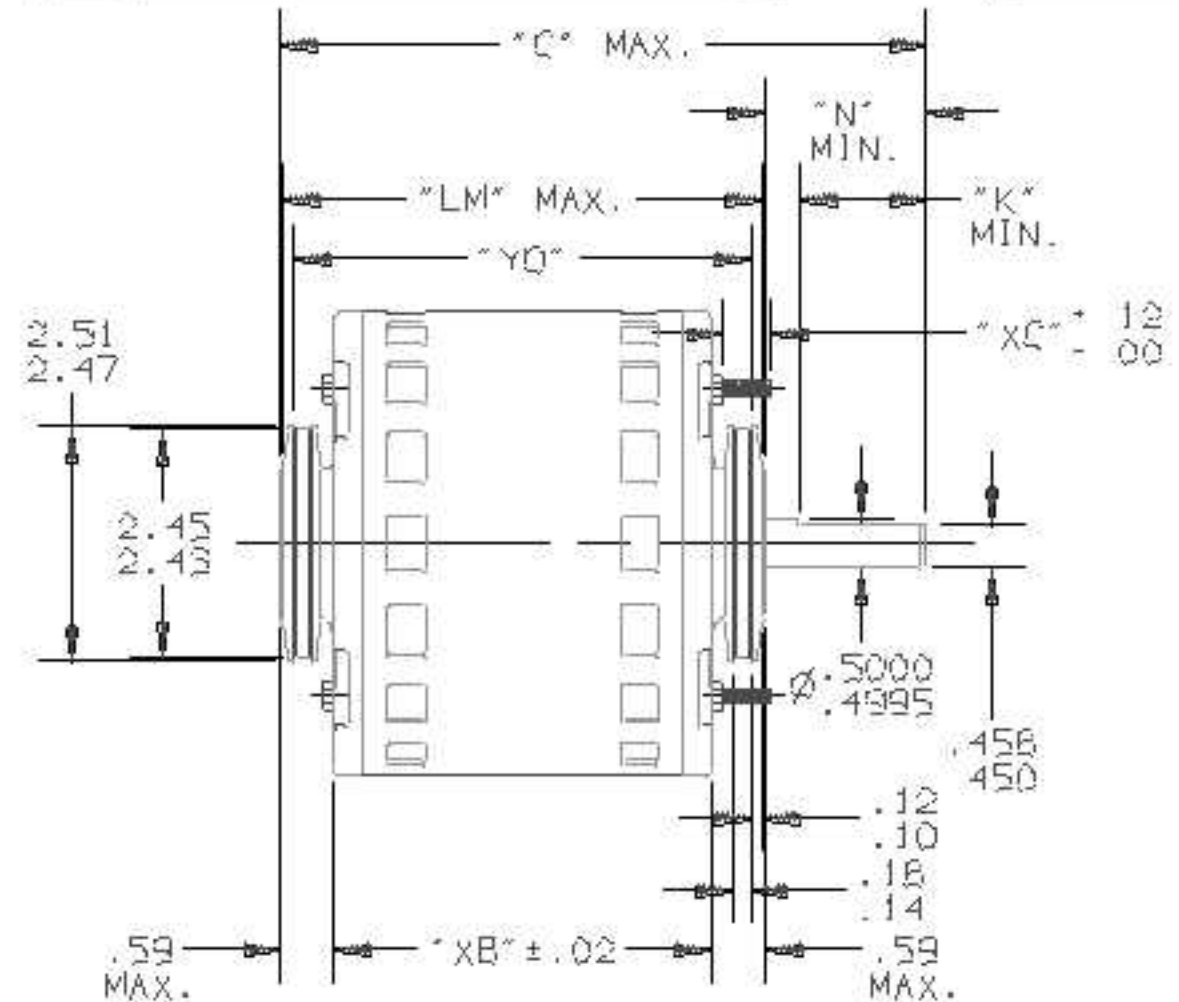
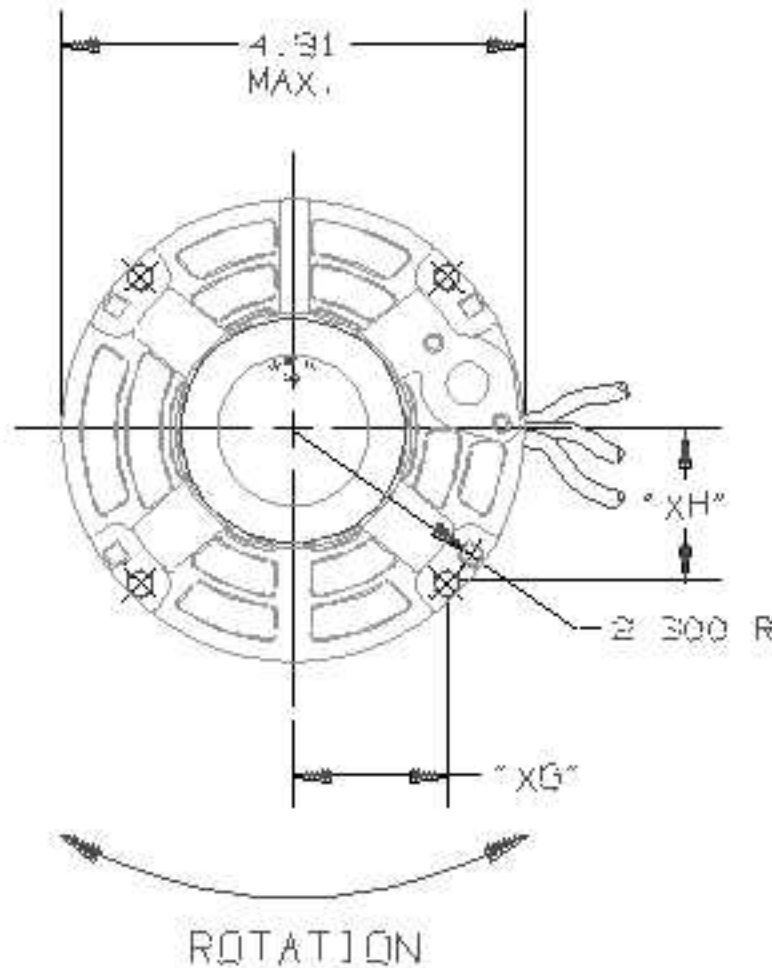
REV
] 1
SIZE
DWG NO
A

RBC PROPRIETARY AND CONFIDENTIAL INFORMATION

This document is the property of Regal Beloit Corporation ("RBC") including its subsidiaries and divisions and contains proprietary information of RBC. This document is loaned on the express condition that neither it nor the information contained therein shall be disclosed to others without the express written consent of RBC, and that the information shall be used by the recipient only as approved expressly by RBC. This document shall be returned to RBC upon its request. This document may be subject to certain restrictions under US export control laws and regulations.

REVISIONS

REV	DESCRIPTION	DATE	APPROVED
2	OUTLINE REDRAWN ON CAD	12/01/99	KMY
3	REVISED PROPRIETARY AND LOGO	7/29/05	G.SHONK



1	626	-	-	-	-	-	-	-
"XH"	-	-	-	-	-	-	-	-
10.18	5.01	4.00	3.50	6.09	5.87 / 5.75	.75	1.628	
"C"	"XB"	"N"	"K"	"LM"	"YQ"	"XC"	"XG"	

ENCLOSURES	LEAD DESCRIPTION	SPECIAL FEATURES				
<table border="1"> <tr> <td>END SHIELDS:</td> <td>O.E.: OPEN P.E.: OPEN</td> </tr> <tr> <td>SHELL:</td> <td>O.E.: OPEN P.E.: OPEN</td> </tr> </table> <p>THIRD ANGLE PROJECTION</p>	END SHIELDS:	O.E.: OPEN P.E.: OPEN	SHELL:	O.E.: OPEN P.E.: OPEN	<p>(10) #18 3' COND 4/84 THERM 27.0" / 25.0" LG. W/ .89 BWS WH, BA, BU, RE 27.0" / 25.0" LG. W/ .25 500- BW, BR 7.0" / 5.0" LG W/ .25 F1500- BR, PU 7.0" / 5.0" LG. W/ .25 M1500- DR, YE OUT OPE SHELL NOTCH 90°</p>	<p>GROUND LEAD: 12.0" LG OUT OPE ES LEAD HOLE</p>
END SHIELDS:	O.E.: OPEN P.E.: OPEN					
SHELL:	O.E.: OPEN P.E.: OPEN					

REGAL BELOIT REGAL-BELOIT CORPORATION

MOTOR OUTLINE

F.M.F. STOCK FT. WAYNE, IN

MODEL	ISSUED	J. GREGLEIM	SIZE
5KCP29LG5858	DATE	08/30/88	A



DISTR TO