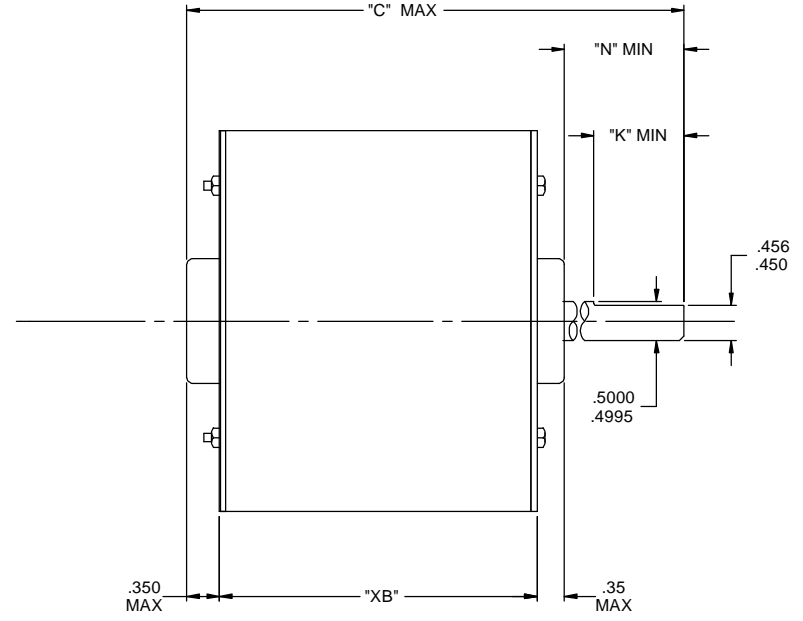
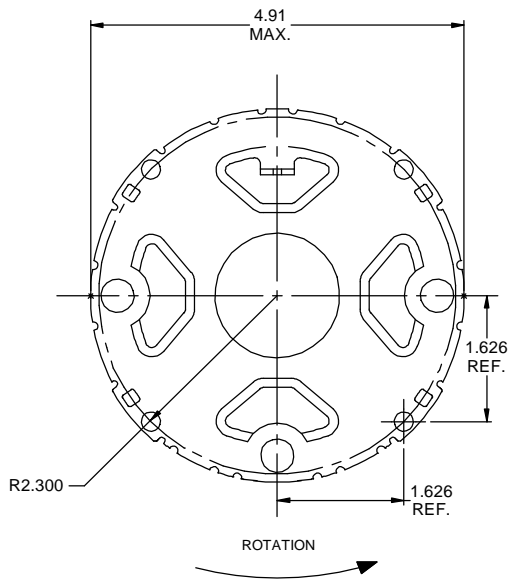


RBC PROPRIETARY AND CONFIDENTIAL INFORMATION
 This document is the property of REGAL BELOIT CORPORATION ("RBC") including its subsidiaries and divisions and contains proprietary information of RBC. This document is loaned on the express condition that neither it nor the information contained therein shall be disclosed to others without the express written consent of RBC, and that the information shall be used by the recipient only as approved expressly by RBC. This document shall be returned to RBC upon its request. This document may be subject to certain restrictions under U.S. export control laws and regulations.

ENCLOSURES	
END SHIELDS:	O.E.: CLOSED P.E.: CLOSED
SHELL:	O.E.: CLOSED P.E.: CLOSED

NAMEPLATE DATA	
MODEL	5KCP29BK8219S
CUST P/N	STOCK NO 2743
HP	1/8
RPM	1650
VOLTS	200-230
HZ	60
SPEEDS	1
AMPS	0.83
CAP REQ'D-1	4.00/370
CAP REQ'D-2	N/R
CONN DRW	24X327082
ROTATION	CCW
BEARING	SLEEVE

LEAD	CONNECTION	COLOR	EXIT TYPE	EXIT LOC	GAGE	MATERIAL	WALL THICKNESS	LENGTH	TERMINATION
1	COMMON	PURPLE	ES LEAD HOLE	3:00	18	THERMO	4/64	35.50	.25 FQC
2	HIGH	BLACK	ES LEAD HOLE	3:00	18	THERMO	4/64	35.50	.25 FQC
3	CAP	BROWN	ES LEAD HOLE	3:00	18	THERMO	4/64	35.50	.25 FQC
4	GRD LD	GRN/YEL	CSCREW NUT	4:00	18	THERMO	2/64	9.00	.25 EYELET



SPECIAL FEATURES

DUST AND WATER SEAL ON PE

"C"	"N"	"K"	"XB"
6.14	2.00	1.25	3.26

TOLERANCES UNLESS SPECIFIED		REGAL BELOIT CORPORATION		DRAWN	GFS 9/28/12		
DEC	INCHES			CHK			
X	±.1			APPR			
XX	±.01			TITLE	29 FR OUTLINE	SCALE	3:4
XXX	±.005			REF			
00	DRAWN IN SW	GFS 9/28/2012	GFS XXXX ±.0005	MATL	FMF		
NO		BY & DATE	CHK LANG ±1/2"	FINISH	PAGE 1 OF 1		
THIRD ANGLE PROJECTION		RFP	PREV	SIZE	DRAWING NO	REV	
		NETWORK FILE NAME 5KCP29BK8219S		B	5KCP29BK8219S	00	