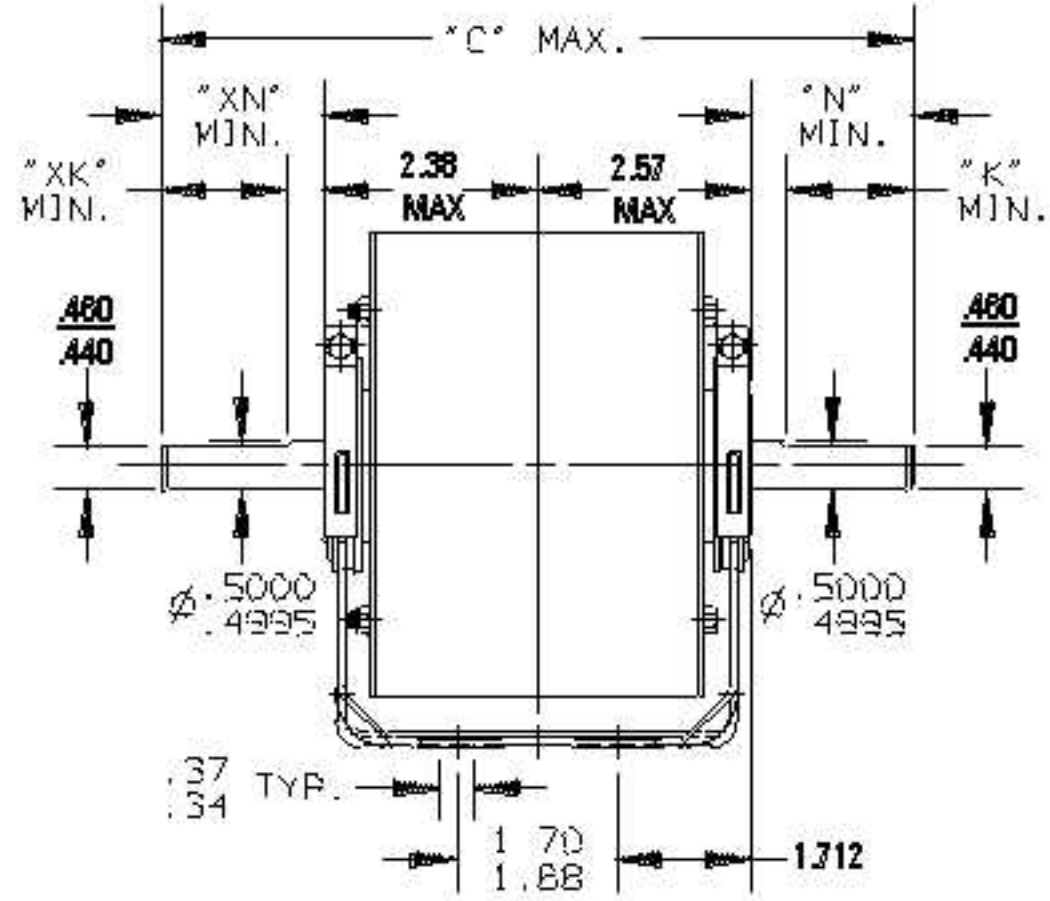
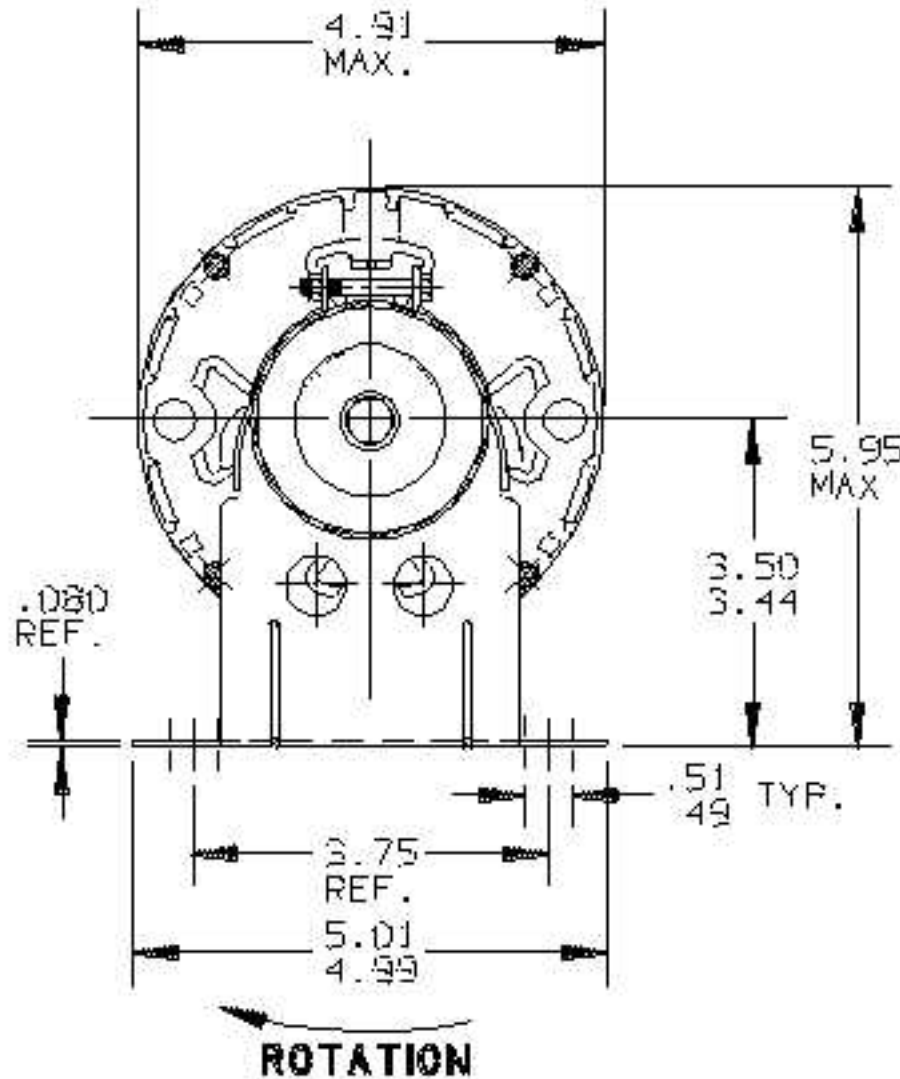


**RBC PROPRIETARY AND CONFIDENTIAL INFORMATION**

This document is the property of Regal Beloit Corporation ("RBC") including its subsidiaries and divisions and contains proprietary information of RBC. This document is loaned on the express condition that neither it nor the information contained therein shall be disclosed to others without the express written consent of RBC, and that the information shall be used by the recipient only as approved expressly by RBC. This document shall be returned to RBC upon its request. This document may be subject to certain restrictions under US export control laws and regulations.

**REVISIONS**

REV	DESCRIPTION	DATE	APPROVED
7.	REVISED PROPRIETARY AND LOGO	7/8/05	G. SHONK



ENCLOSURES		LEAD DESCRIPTION	SPECIAL FEATURES
END SHIELDS:	Q.E.: OPEN P.E.: OPEN	LEADS OUT END SHIELD 90° LHS 5 SCOND .030W C THERM 54 +/- 1.50 LG .69 BWS	
SHELL:	Q.E.: OPEN P.E.: OPEN	CAPACITOR: MOUNTED 45° LHS OILER: TOP PLUGGED GRD. LEAD: MOTOR TO BASE	
THIRD ANGLE PROJECTION			

25.01	10.50	9.00	9.58	9.00
24.99	"C"	"N"	"K"	"XN"

REGAL BELOIT CORPORATION  
**MOTOR OUTLINE**  
 F.M.F. STOCK FT. WAYNE, IN  
 MODEL - 5KCP29CK4534AS  
 ISSUED - C.H. O'NEAL  
 DATE - 12/21/82  
 SIZE A