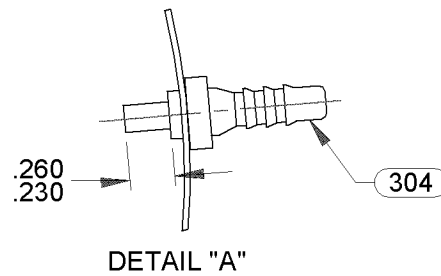


NOTES:

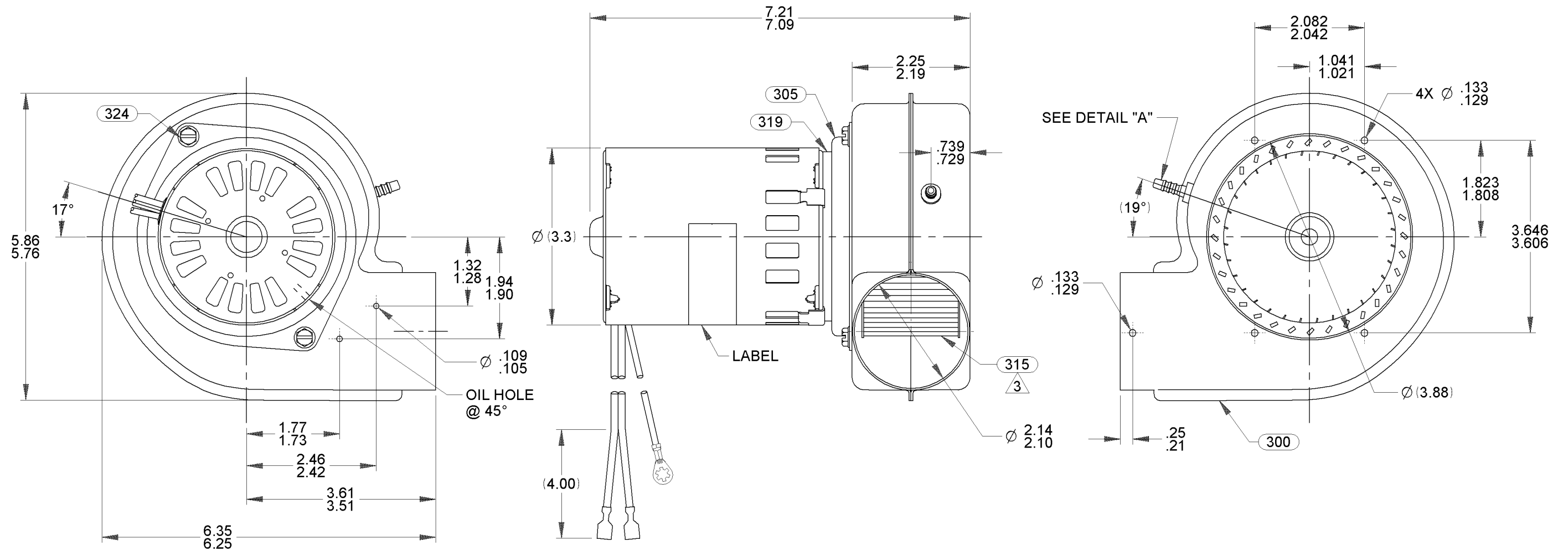
1. STATIC TAP TO BE TIGHT AND SECURELY FASTENED.
2. ASSEMBLY FIXTURE MUST BE USED WHEN ASSEMBLING MOTOR AND MTG. CUP TO HOUSING.
3. LOCATE IMPELLER .070/.050 GUAGED FROM MOUNTING CUP.
4. STATIC TAP READING IS TO BE -1.35 MINIMUM CORRECTED TO STANDARD AIR (0.075 LB/FT<sup>3</sup>) WITH 2 1/16 INLET RESTRICTOR.
5. INSPECTION TEST FIXTURE REQUIRED.
6. PACK 1 PER CONTAINER, 150 MAX. PER PALLET, PACKING ASSEMBLY 87854000, 30 CONTAINERS PER LAYER, 5 LAYERS PER PALLET. P.S. 88834200 AND P.S. 88834408.
7. CARTON LABELS MUST ALL FACE ONE DIRECTION TOWARD THE OPEN END OF THE PALLET. SEE P.S. 88834408.
8. NO PACKAGING TAPE OVER CARTON LABEL.



APPLICATION	B	LA	FR	A	S	C	E	B	A
THERMALLY PROTECTED CLASS "B" INSULATION	06	21	30	F	05	AS	5	3	0
CUSTOMER	FASCO DIST.								
CUSTOMER PART NO.	W8								

LEAD MATERIAL  
 18 GA. 105°C, 3/64 INSUL.  
 SPT-2 2 COND. BLK  
 14.00/12.00 IN. LONG  
 W/FSPADE TERMS.  
 89034025 AMP 2-520263-2

GROUND LEAD  
 18 GA. 125°C, 2/64 INSUL.  
 X-LINKED POLY, GRN/YEL  
 5.00/3.00 IN. LONG  
 W/RING TERM.  
 89020156 AMP 61794-1



AVERAGE PERFORMANCE TEST DATA WITH A 2 1/16 INLET RESTRICTOR

ECO. NO.	REV.	DATE	APPROVAL
4001641	02	04/07/11	MLM/PLA
4009774	03	7/18/2013	MLH/MLM

AT 115 VOLTS 60 HZ.		
R.P.M.	WATTS	AMPS
3211	86	1.12
BLOWER WEIGHT LBS.		END PLAY .020/.010

UNLESS OTHERWISE SPECIFIED DIMENSIONS ARE IN INCHES TOLERANCES ARE:		
FRACTIONS ± 1/16	DECIMALS XX ± .01	ANGLES XXX ± .005
APPROVALS		DATE
DRAWN MLM	2/23/07	
CHECKED SDM	2/23/07	
FINISH COLOR BLACK		

**FASCO** FASCO MOTORS GROUP  
 AC MOTOR/BLOWER DIVISION

CONFIDENTIAL: DO NOT DUPLICATE OR DISCLOSE TO THIRD PARTIES WITHOUT WRITTEN PERMISSION OF FASCO MOTORS GROUP, AC MOTOR/BLOWER DIVISION.

TITLE <b>BLOWER ASSEMBLY</b>		
SIZE <b>B</b>	DWG. NO. 7021 12061	REV. 03
DO NOT SCALE DRAWING		SHEET 1 OF 1