

D

D

C

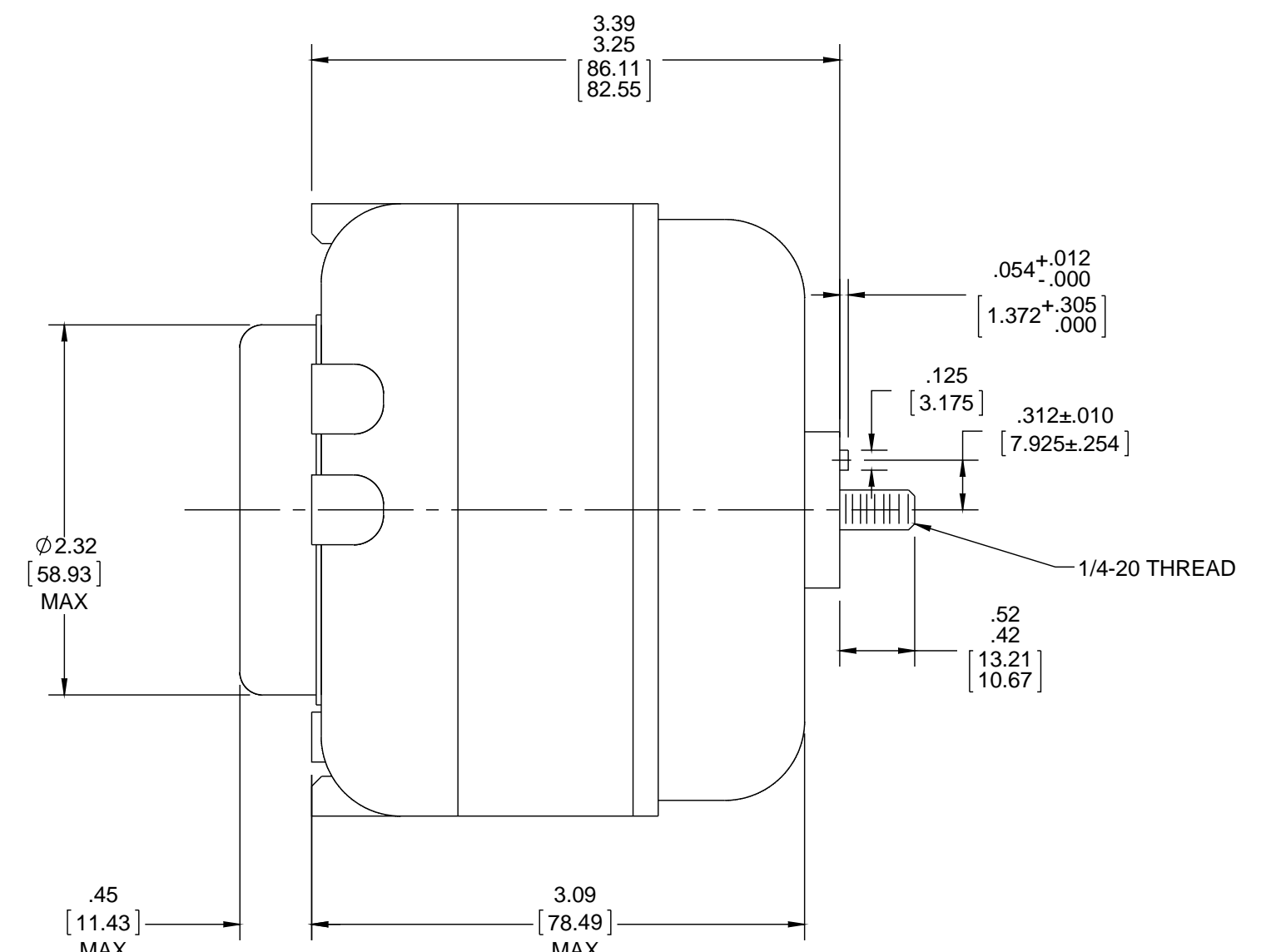
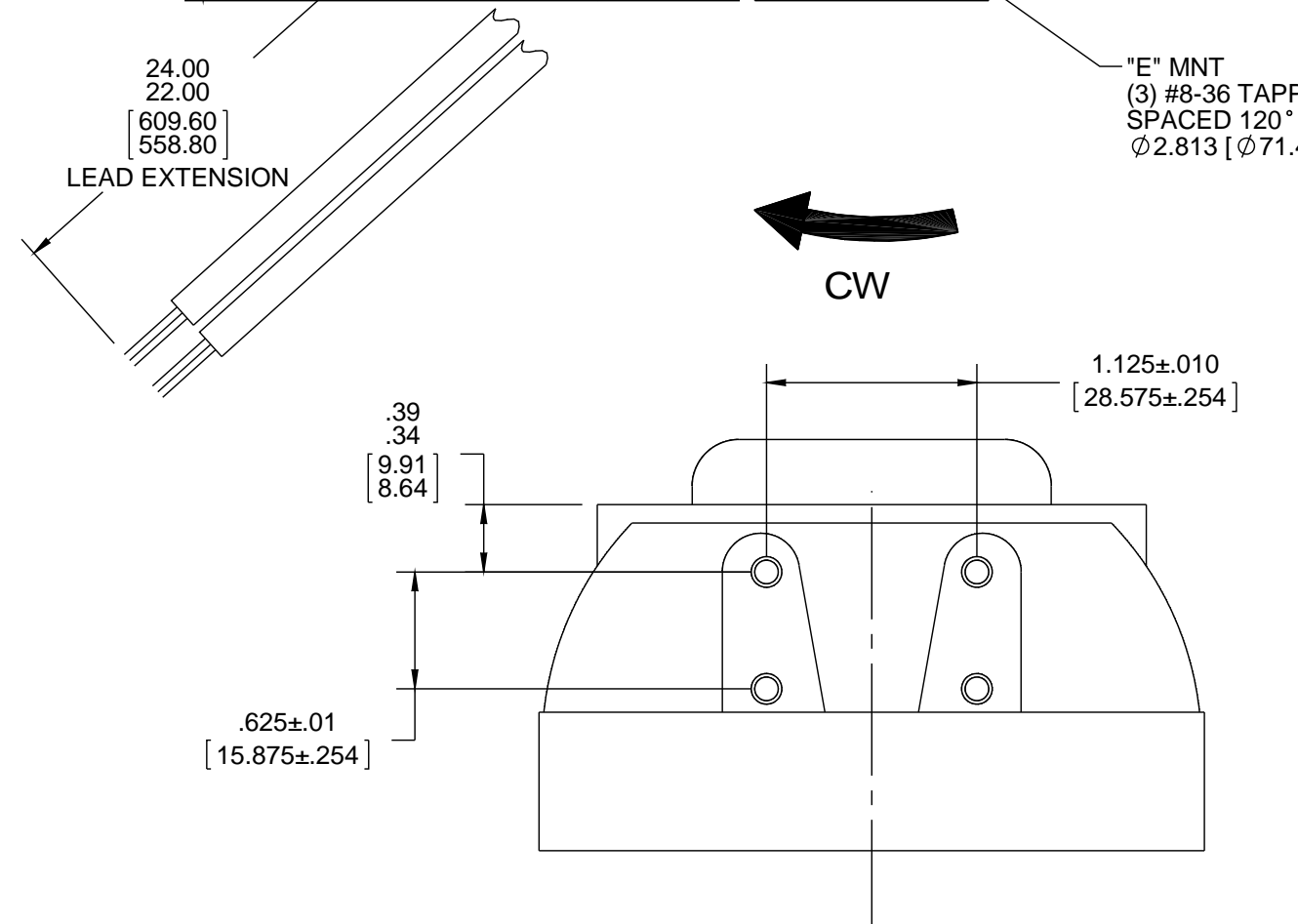
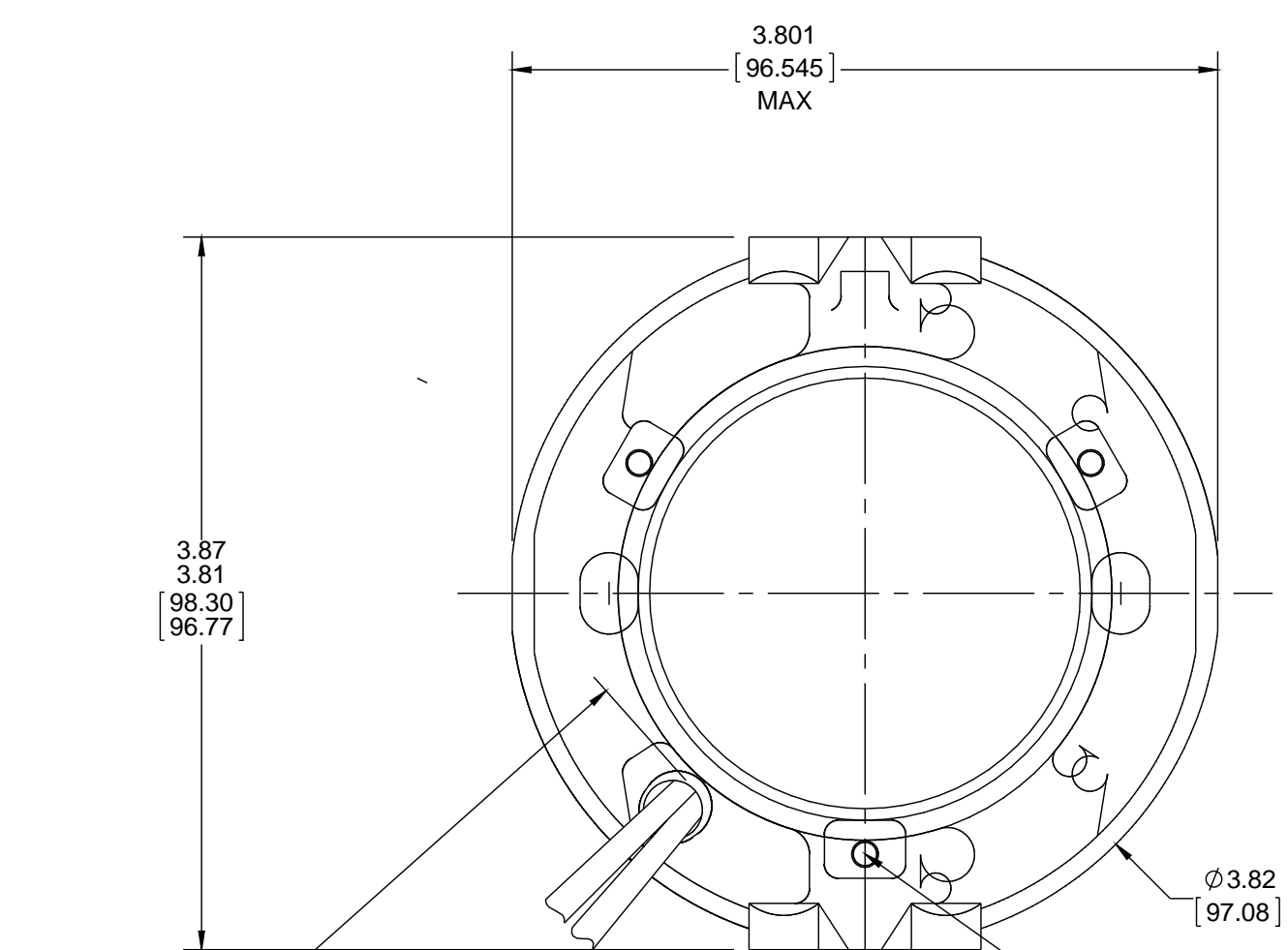
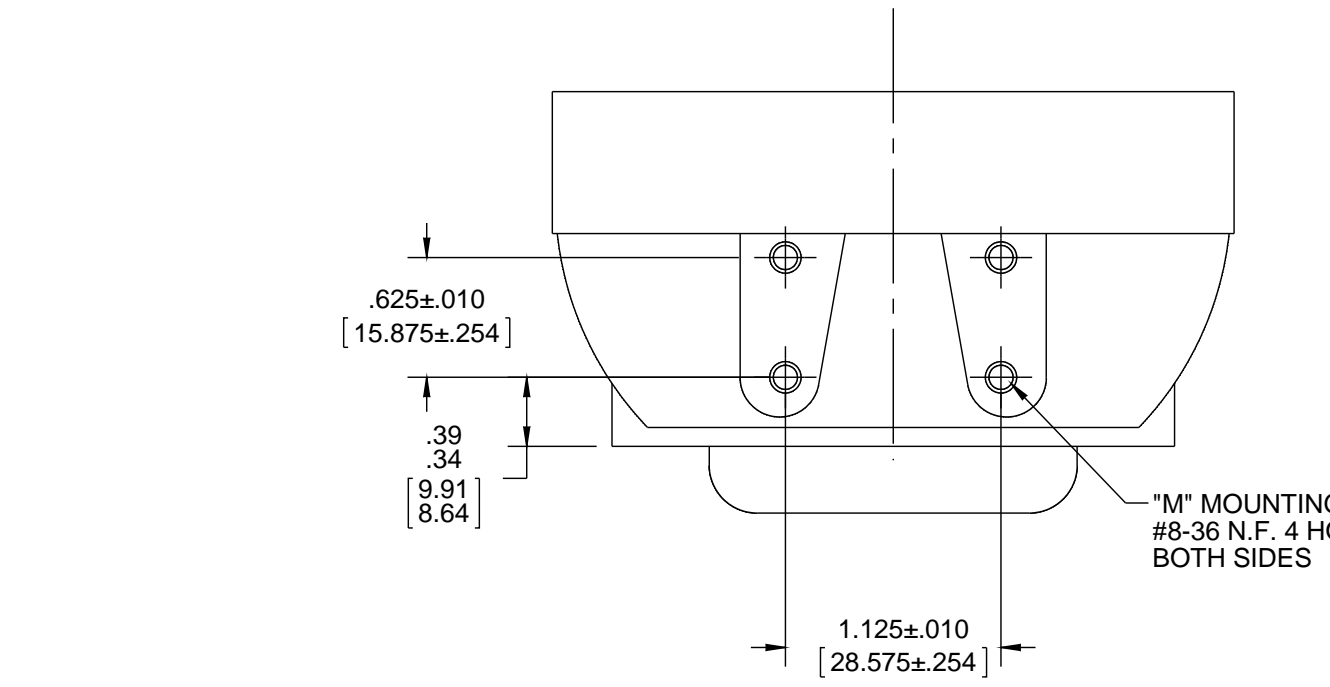
C

B

B

A

A



OUTLINE DIMENSIONS ON WHICH NO LIMIT IS SPECIFIED ARE NOMINAL AND NOT GUARANTEED AS TO TOLERANCE. ADDITIONAL INFORMATION ON TOLERANCE WILL BE FURNISHED ON SPECIFIC REQUEST.

DRAWING REVISION A		REVISION BY -	DATE -	TOLERANCES UNLESS OTHERWISE SPECIFIED: DEC. INCH mm ANGLE			DRAWN BY kberry	REGAL™ Regal Beloit America, Inc.	
ECO ECO-0100243	APPROVED BY -	DATE -	DATE -	.X ±0.1 [±2.5]	±7° 30'	DATE 04-19-2016	APPROVED BY kb	DESCRIPTION OUTLINE	
ECO DESCRIPTION New				.XX ±0.02 [±0.51]		DATE 04-19-2016	REFERENCE ESPL25EM1	MATERIAL -	PROCESS/FINISH -
<small>COPYRIGHT REGAL BELOIT AMERICA, INC. ALL RIGHTS RESERVED. PROPRIETARY AND CONFIDENTIAL INFORMATION - THIS DOCUMENT IS THE PROPERTY OF REGAL BELOIT AMERICA, INC. ("OWNER") AND CONTAINS OWNER'S PROPRIETARY INFORMATION. ANY PERSON, CORPORATION OR OTHER FIRM RECEIVING IT IS DEEMED, BY RECEIVING IT, TO AGREE THAT IT, AND/OR ANY PART OF IT, SHALL NOT BE DISCLOSED TO ANY PERSON, CORPORATION OR OTHER ENTITY, DUPLICATED, AND/OR USED, EXCEPT AS EXPRESSLY APPROVED IN WRITING IN ADVANCE BY OWNER. THIS DOCUMENT SHALL BE RETURNED TO OWNER UPON REQUEST. IT MAY BE SUBJECT TO CERTAIN RESTRICTIONS UNDER APPLICABLE EXPORT CONTROL LAWS AND REGULATIONS.</small>				.XXX ±0.005 [±0.127]		THIRD ANGLE PROJECTION	SIZE C	DRAWING NUMBER UB570	SHEET 1 OF 1
				.XXXX ±0.0005 [±0.0127]					
				REMOVE BURRS & BREAK SHARP EDGES: .003/.015 [.076/.381] X 45° CORNER FILLETS: R.02 [.51] MACHINED SURFACES: 200 /mm 5.1 /INCH					
				mm SHOWN IN [BRACKETS]					