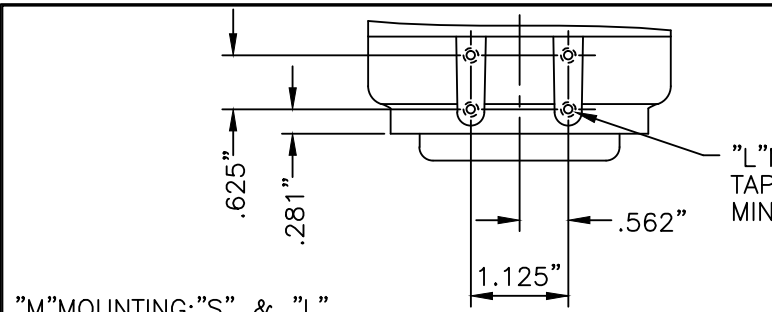
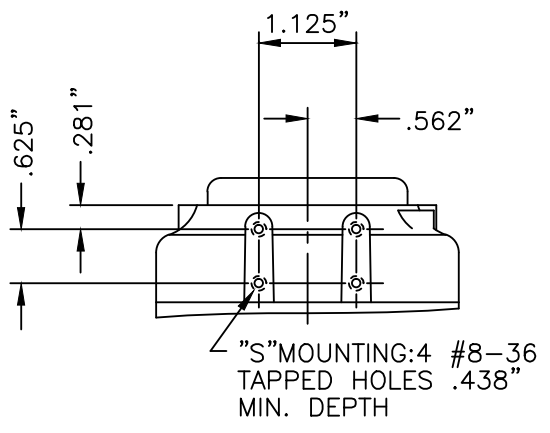
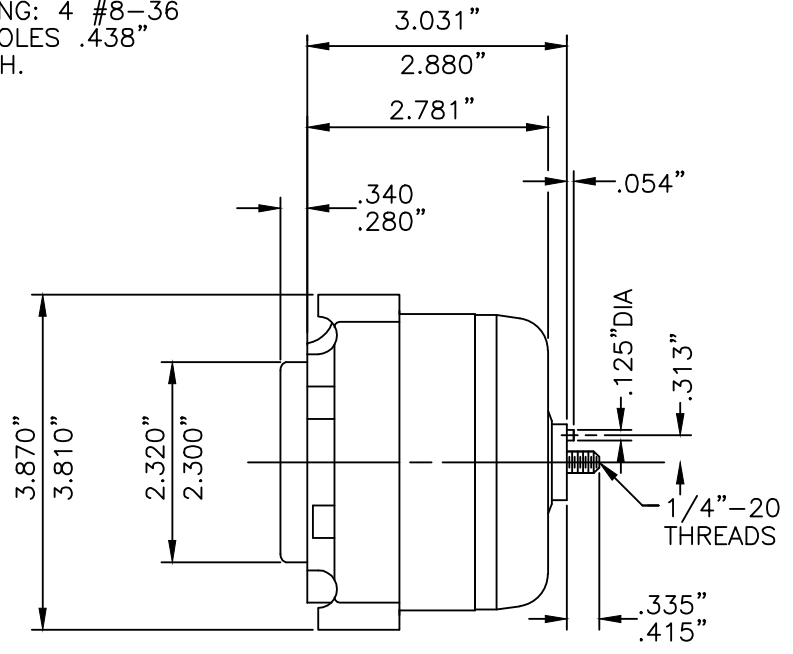
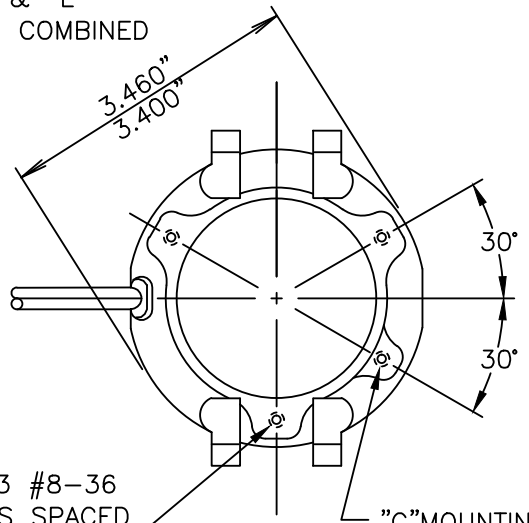


NOTE: OUTLINE DIMENSIONS FOR WHICH NO LIMIT IS SPECIFIED ARE NOMINAL AND NOT GUARANTEED AS TO TOLERANCE. ADDITIONAL INFORMATION ON TOLERANCES WILL BE FURNISHED ON SPECIFIC REQUEST.




"M" MOUNTING: "S" & "L" MOUNTING HOLES COMBINED



NOTE: MOUNTING SCREW TORQUE 3.5 FT. LBS. MAX.

F:\CADFILES\VOL_9\23792

 ERWIN, TENNESSEE	REVISIONS		BY	DATE			
	① CHANGED FRONT COVER		RWW	02-14-91			
	② UPDATED TITLE BLOCK		JCL	10-03-02			
	③						
	④						
⑤							
SCALE	1/2"=1"	DATE	04-17-89	DR'N	RWW	CKD	AP'VD
TITLE							NO.
MOTOR OUTLINE (1" C.I. BOSS, STANDARD)							S-23792