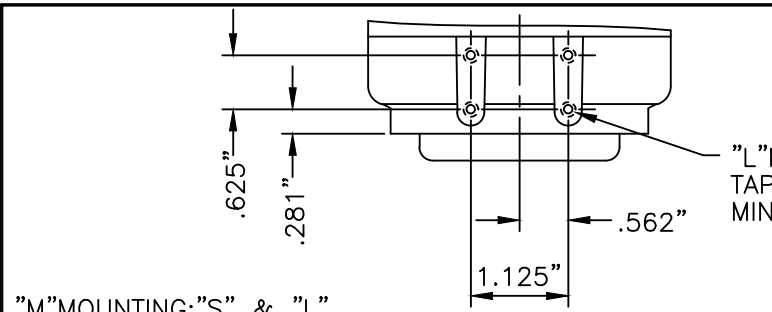
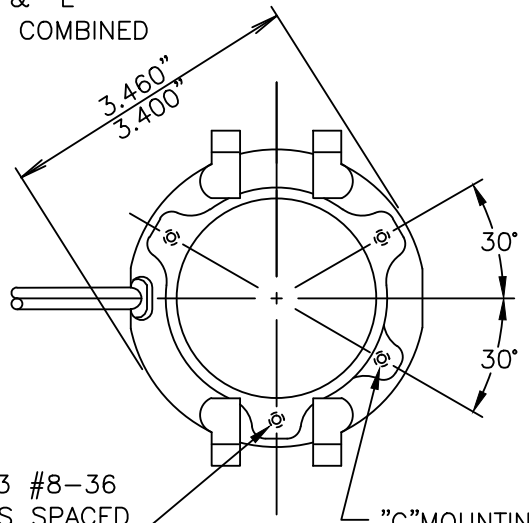


NOTE: OUTLINE DIMENSIONS FOR WHICH NO LIMIT IS SPECIFIED ARE NOMINAL AND NOT GUARANTEED AS TO TOLERANCE. ADDITIONAL INFORMATION ON TOLERANCES WILL BE FURNISHED ON SPECIFIC REQUEST.

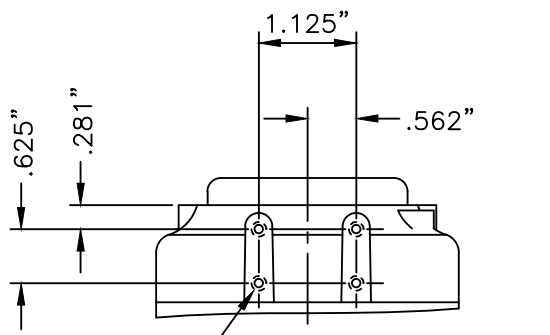
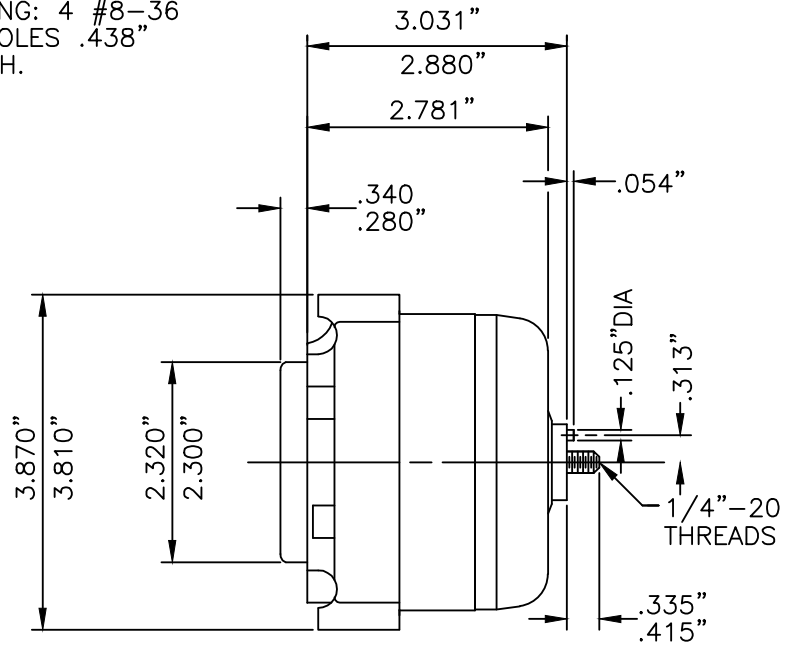


"M" MOUNTING: "S" & "L" MOUNTING HOLES COMBINED



"E" MOUNTING: 3 #8-36 TAPPED HOLES SPACED 120° ON 2.813" DIA.

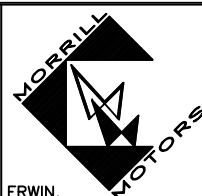
"G" MOUNTING: 2 #8-36 TAPPED HOLES SPACED AT 180° ON 2.813" DIA.



"S" MOUNTING: 4 #8-36 TAPPED HOLES .438" MIN. DEPTH

NOTE: MOUNTING SCREW TORQUE 3.5 FT. LBS. MAX.

F:\CADFILES\VOL\_9\23792

 ERWIN, TENNESSEE	REVISIONS			BY	DATE
	①	CHANGED FRONT COVER		RWW	02-14-91
	②	UPDATED TITLE BLOCK		JCL	10-03-02
	③				
	④				
⑤					
SCALE	1/2"=1"	DATE	04-17-89	DR'N	RWW
		CKD		AP'VD	
TITLE				NO.	
MOTOR OUTLINE ( 1" C.I. BOSS, STANDARD)				S-23792	