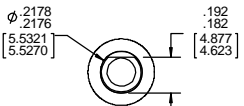
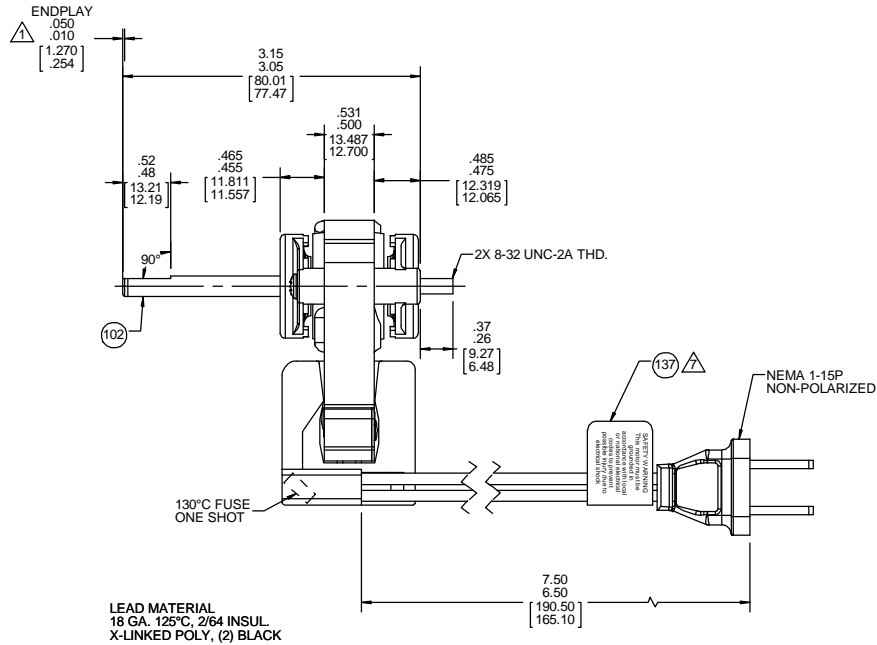


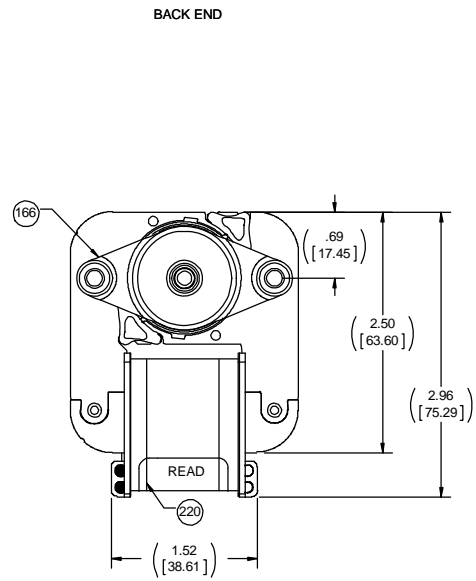
ROTATION



DETAIL A



LEAD MATERIAL
18 GA. 125°C, 2/64 INSUL.
X-LINKED POLY, (2) BLACK



- NOTES:
- SHAFT EXTENSION MEASURED WITH END PLAY PULLED OUT.
 - SHIM BOTH ENDS WITH (1) PC 246 WASHER AND (1) PC 247 WASHER. ADD PC 247 WASHER ON BACK END ONLY AS REQUIRED TO MAINTAIN SPECIFIED ENDPLAY.
 - APPLY (1) DROP OF LUBRICANT TO AID START UP.
 - MOTOR MUST START AT 70 VOLTS.
 - HIPOT PER 88834420.
 - ROTOR CORE, STATOR CORE AND STATOR BAR ASSEMBLIES ARE COATED WITH TWIN EMULSION.
 - FOLD PC 137 IN HALF AROUND CORD.
 - PACK 6 PER CONTAINER, 12 CONTAINERS PER LAYER, 9 LAYERS PER PALLET, 648 MAX. AMOUNT PER PALLET. PACKING ASSEMBLY 87864178, PER 88834200 AND 88834408.
 - CARTON LABELS MUST ALL FACE ONE DIRECTION TOWARD THE OPEN END OF THE PALLET. SEE 88834408.
 - NO PACKAGING TAPE OVER CARTON LABEL.

61305668

SAFETY WARNING
This motor must be grounded in accordance with local or national electrical codes to prevent possible injury due to electrical shock.

AVERTISSEMENT DE SECURITE
Ce moteur doit être fondée sur conformément à la réglementation locale ou national électrique codes pour prévenir éventuelles blessures en raison de choc électrique.

61299553 99581193

FASCO
Model: K614

71581193
J238-050
120 V 60 Hz
1/150 HP 0.69 LR A
0.59 FLA 3000 RPM
Max Amb 40°C A O
E64080 E48562
Class B
T.P.
Assembled in Mexico

CUSTOMER:	FASCO DIST.	APPLICATION:	MISC. VENT								
CUSTOMER PN:	K614	MOTOR WEIGHT:	1.25 LBS.								
UP	ENVIRONMENT:	DRY									
HORIZONTAL	MOTOR TYPE				REFERENCE SAMPLE						
	B	LA	FR	A	S	C	E	B	A		
DOWN	00	58	52	X	16	OG	5	A	0		
TYPICAL PERFORMANCE AT 120 VOLTS 60 HZ											
IDLE			LOADED			LOCKED			BREAK		
MOTOR SPEED	RPM	AMP	WATT	IN OZ	RPM	AMP	WATT	IN OZ	AMP	WATT	IN OZ
	3425	.56	25	2.57	3000	.59	30	1.93	.69	35	3.31

DRAWING REVISION AA	REVISION BY JMG	DATE 09/06/2018	TOLERANCES UNLESS OTHERWISE SPECIFIED: DEC. INCH mm ANGLE .X ±0.1 [±2.5] 1° .XX ±0.01 [±0.25] .XXX ±0.005 [±0.127] .XXXX ±0.0005 [±0.0127]	DRAWN BY JMG	DATE 09/06/2018	REGAL™ Regal Beloit America, Inc.			
ECO-0151335	APPROVED BY BAA	DATE 09/06/2018	REMOVED BURRS & BREAK SHARP EDGES: .0031 [0.078/381] X 45° CORNER FILLETS: R.02 [51] MACHINED SURFACES: .125/3.2 INCH/mil	APPROVED BY BAA	DATE 09/06/2018	DESCRIPTION OUTLINE MOTOR ASSY			
ECO DESCRIPTION REDRAWN TO SW. REVISED CORD PICTORIALY COPYRIGHT REGAL BELOIT AMERICA, INC. ALL RIGHTS RESERVED. PROPRIETARY AND CONFIDENTIAL INFORMATION. THIS DOCUMENT IS THE PROPERTY OF REGAL BELOIT AMERICA, INC. FORMERLY AND CONTAINS OWNERS PROPRIETARY INFORMATION. ANY PERSON, CORPORATION OR OTHER FIRM RECEIVING IT IS DEEMED BY RECEIVING IT, TO AGREE THAT IT, AND/OR ANY PART OF IT, SHALL NOT BE DISCLOSED TO ANY PERSON, CORPORATION OR OTHER ENTITY, DUPLICATED, AND/OR USED, EXCEPT AS EXPRESSLY APPROVED IN WRITING IN ADVANCE BY OWNER. THIS DOCUMENT SHALL BE RETURNED TO OWNER UPON REQUEST. IT MAY BE SUBJECT TO CERTAIN RESTRICTIONS UNDER APPLICABLE EXPORT CONTROL LAWS AND REGULATIONS.			THIRD ANGLE PROJECTION	REFERENCE 09/06/2018	MATERIAL C	SIZE C	DRAWING NUMBER 71581193	PROCESS/FINISH	SHEET 1 OF 1