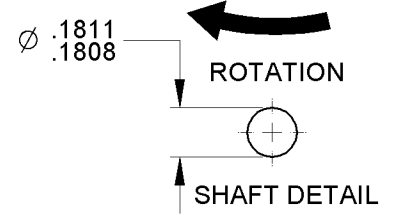
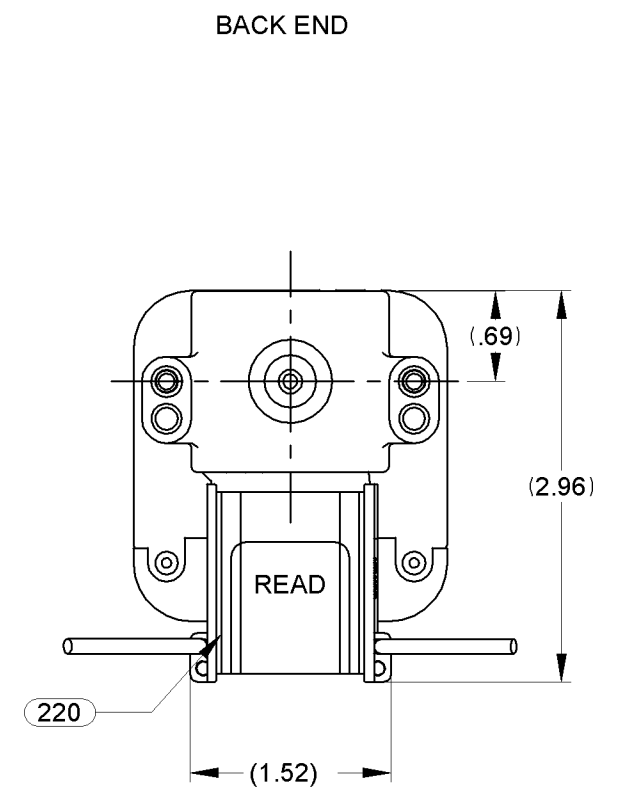
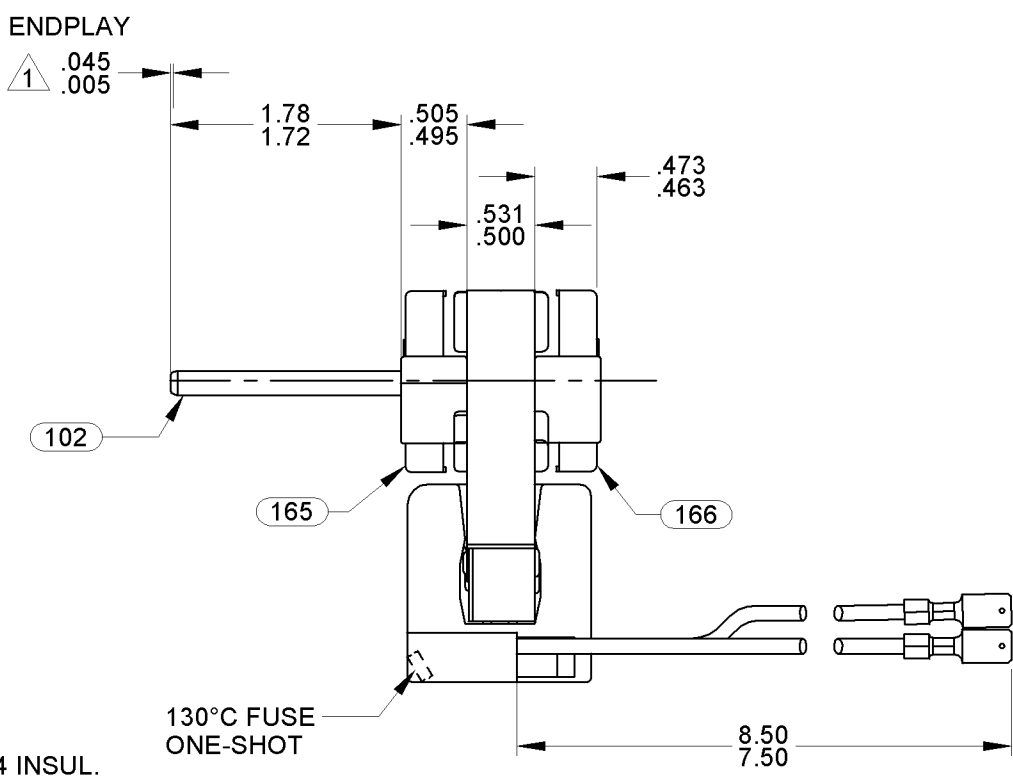
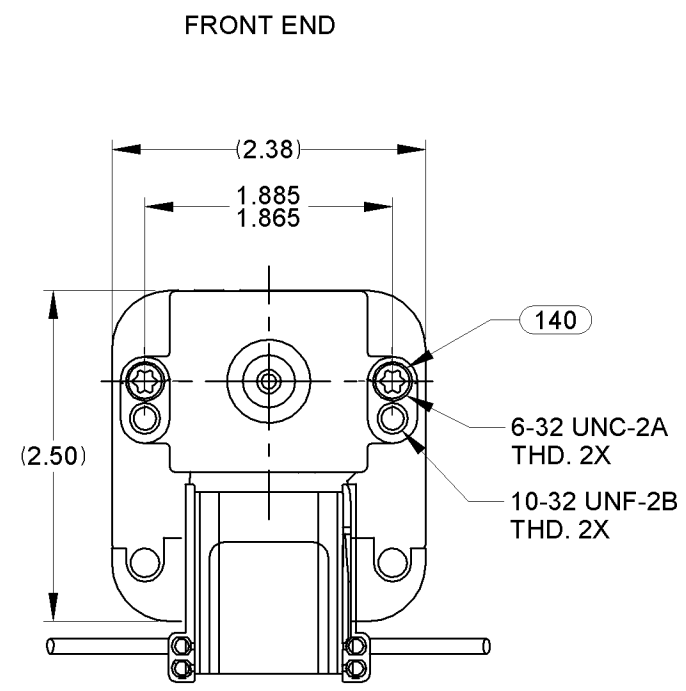


01	REVISED TO CURRENT STANDARDS.	RPT 06/30/10	02	ADDED CARTON LABEL NOTES	4005239 MLM 4/12/12	03	UPDATED SHIM NOTE TO STANDARD.	4012452 MLS 5/12/2014	STANDARD TOLERANCES: ANGULAR +/- 1 DEGREE 2 PLACE DECIMAL +/- .01 3 PLACE DECIMAL +/- .005
----	-------------------------------	--------------	----	--------------------------	------------------------	----	--------------------------------	--------------------------	---



LEAD MATERIAL
18 GA. 125°C 2/64 INSUL.
X-LINKED POLY. (2) BLK
W/ MSPADE
TERMS. 89034006
AMP 42474-3

- NOTES:**
- SHAFT EXTENSION TO BE MEASURED WITH END PLAY PULLED OUT.
 - SHIM BOTH ENDS WITH (1) PC 246 SPACER AND (1) PC 247 WASHER. ADD PC 247 WASHER ON BACK END AS REQUIRED TO MAINTAIN SPECIFIED ENDPLAY.
 - HI POT PER P.S. 88834420.
 - MOTOR MUST START AT 70 VOLTS.
 - STATOR CORE, STATOR BAR AND ROTOR CORE ASSEMBLIES ARE COATED WITH TWIN EMULSION.
 - PLACE (2) PC 114 SCREWS IN PLASTIC BAG AND ZIPLOCK. PLACE (1) BAG PER EACH MOTOR IN CONTAINER.
 - PACK 6 PER CONTAINER, 648 MAX. PER PALLET, PACKING ASSY. 87854178, 12 CONTAINERS PER LAYER, 9 LAYERS PER PALLET, P.S. 88834200 AND P.S. 88834408.
 - CARTON LABELS MUST ALL FACE ONE DIRECTION TOWARD THE OPEN END OF THE PALLET. SEE P.S. 88834408.
 - NO PACKAGING TAPE OVER CARTON LABEL.

61299553 99581236 00464282

FASCO Model: K114

71581236 J238-050 120 V 60 Hz .75 LRA 1/500 HP .74 FLA 1100 RPM Max. Amb: 40°C AO E64080 E48562 Class B T.P. Assembled in Mexico

SAFETY WARNING
This Motor Must Be Grounded In Accordance With Local Or National Electrical Codes To Prevent Possible Injury Due to Electrical Shock

FRONT SHAFT POSITION		TYPICAL PERFORMANCE AT 120 VOLTS 60 Hz											CUSTOMER:		FASCO DIST.									
HORIZONTAL	MOTOR SPEED	IDLE			LOADED			LOCKED			BREAK	PART NUMBER:	FASCO MOTORS GROUP AC MOTOR/BLOWER DIVISION											
		R.P.M.	AMP.	WATT	IN.OZ.	R.P.M.	AMP.	WATT	IN.OZ.	AMP.	WATT	IN.OZ.	K114	CONFIDENTIAL: DO NOT DUPLICATE OR DISCLOSE TO THIRD PARTIES WITHOUT WRITTEN PERMISSION OF FASCO MOTORS GROUP, AC MOTOR/BLOWER DIVISION.										
UP DOWN		3312	.68	31	2.77	1100	.74	41	2.26	.75	42	2.97	APPLICATION:	RESIDENTIAL REFRIDGERATOR	MOTOR TYPE		DRAWING NUMBER							
CUSTOMER APPROVAL:													MOTOR WEIGHT:	1.5 LBS.	MOTOR, C - FRAME		7158 1236							
SIGNED:													ENVIRONMENT:	DRY	FINISH COLOR:		NATURAL							
DATE:													FINISH COLOR:	NATURAL	DRAWN BY:		RON TAYLOR							
													DATE DRAWN:	NOVEMBER 20, 2008	B	LA	FR	A	S	C	E	B	A	REV.
															00	58	52	X	16	OE	5	B	0	03

If Printed, this is an Uncontrolled Document.