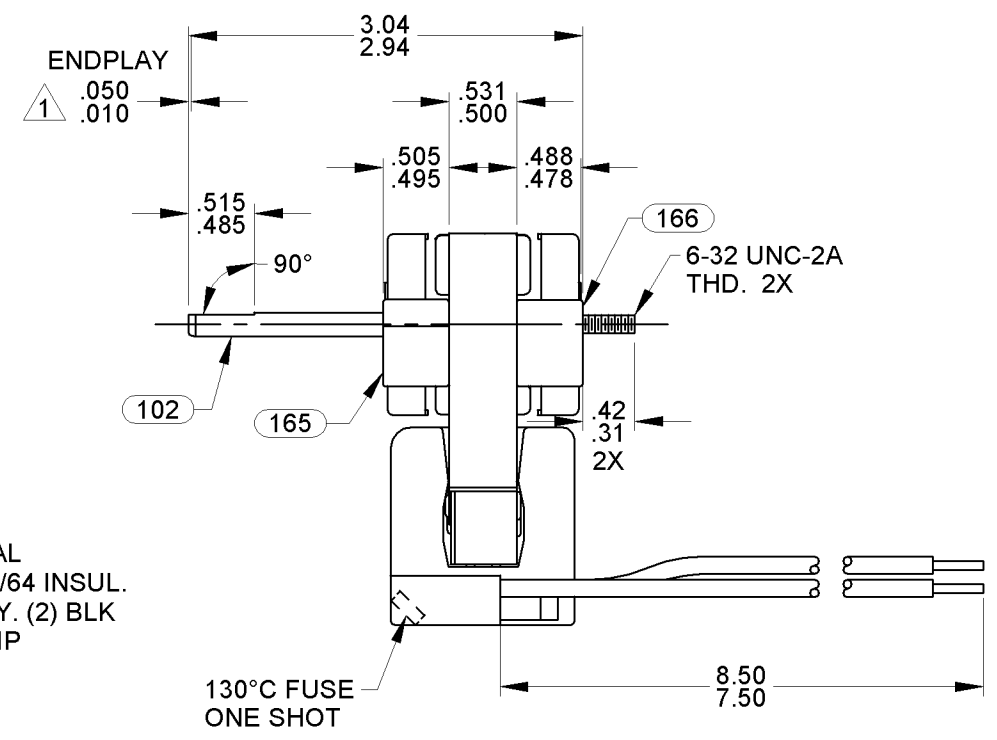
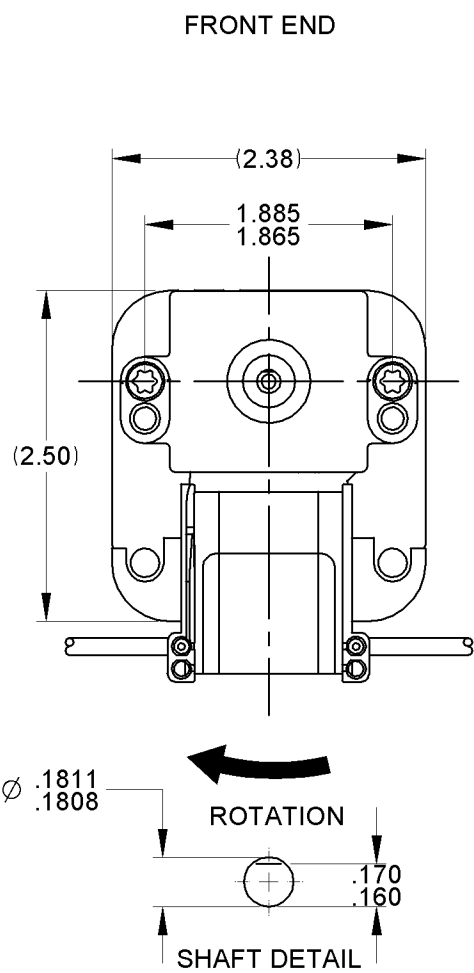
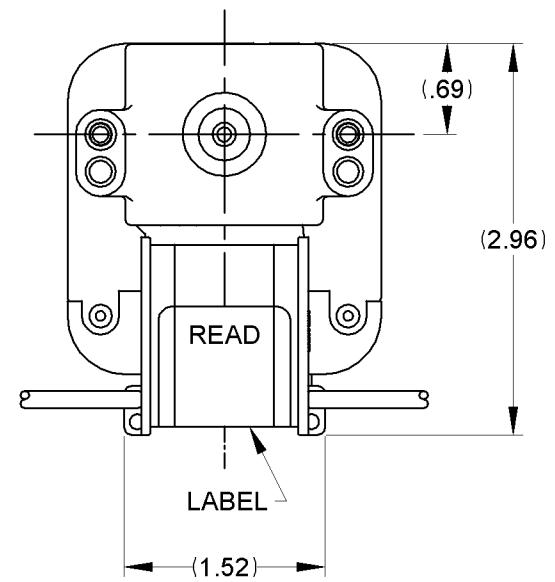


00	RELEASE FOR PRODUCTION.	SDM 12/02/08	01	ADDED CARTON LABEL NOTE AND STD. NOTES	4005102 MLM 03/28/12	02	UPDATED NOTES TO STANDARD.	4011940 MLS 3/17/2014	STANDARD TOLERANCES: ANGULAR +/- 1 DEGREE 2 PLACE DECIMAL +/- .01 3 PLACE DECIMAL +/- .005
----	-------------------------	--------------	----	--	-------------------------	----	----------------------------	--------------------------	---



LEAD MATERIAL
18 GA. 125°C 2/64 INSUL.
X-LINKED POLY. (2) BLK
.31/.19 IN. STRIP



- NOTES:
- SHAFT EXTENSION MEASURED WITH ENDPLAY PULLED OUT.
 - SHIM FRONT END WITH PC 246 SPACER AND PC 247 WASHER. SHIM BACK END WITH PC 246 SPACER.
 - ADD PC WASHER ON BACK END ONLY AS REQUIRED TO MAINTAIN SPECIFIED ENDPLAY.
 - HIPOT PER P.S. 88834420.
 - MOTOR MUST START AT 70 VOLTS.
 - APPLY (1) DROP OF LUBRICANT TO AID START UP.
 - ROTOR CORE, STATOR CORE AND STATOR BAR ASSEMBLIES ARE COATED WITH TWIM EMULSION.
 - PACK 6 PER CONTAINER, 648 MAX. PER PALLET, PACKING ASSY. 87854178, 12 CONTAINERS PER LAYERS, 9 LAYERS PER PALLET, P.S. 88834200 AND P.S. 88834408.
 - CARTON LABELS MUST ALL FACE ONE DIRECTION TOWARD THE OPEN END OF THE PALLET. SEE P.S. 88834408.
 - NO PACKAGING TAPE OVER CARTON LABEL.

61299553 99581215

FASCO Model: K102

71581215
4238-050
120 V 60 Hz
1/500 HP .58 LRA
.57 FLA 1100 RPM
Max. Amb: 40°C AC
E64080 E48562
Class B
T.P. C US
Assembled in Mexico

FRONT SHAFT POSITION		TYPICAL PERFORMANCE AT 120 VOLTS 60 Hz											CUSTOMER: FASCO DIST.		FASCO MOTORS GROUP AC MOTOR/BLOWER DIVISION									
HORIZONTAL	MOTOR SPEED	IDLE			LOADED			LOCKED			BREAK	APPLICATION:	CONFIDENTIAL: DO NOT DUPLICATE OR DISCLOSE TO THIRD PARTIES WITHOUT WRITTEN PERMISSION OF FASCO MOTORS GROUP, AC MOTOR/BLOWER DIVISION.											
		R.P.M.	AMP.	WATT	IN.OZ.	R.P.M.	AMP.	WATT	IN.OZ.	AMP.	WATT		IN.OZ.	MOTOR TYPE					DRAWING NUMBER					
		3382	.50	23	2.51	1100	.57	33	2.10	.58	34	2.73	MOTOR WEIGHT:	MOTOR, C - FRAME 7158 1215										
CUSTOMER APPROVAL:													ENVIRONMENT:	MOTOR, C - FRAME 7158 1215										
SIGNED:													FINISH COLOR:	MOTOR, C - FRAME 7158 1215										
DATE:													DRAWN BY:	MOTOR, C - FRAME 7158 1215										
													DATE DRAWN:	MOTOR, C - FRAME 7158 1215										
															B	LA	FR	A	S	C	E	B	A	REV.
															00	58	52	X	16	OF	5	B	0	02

If Printed, this is an Uncontrolled Document.