

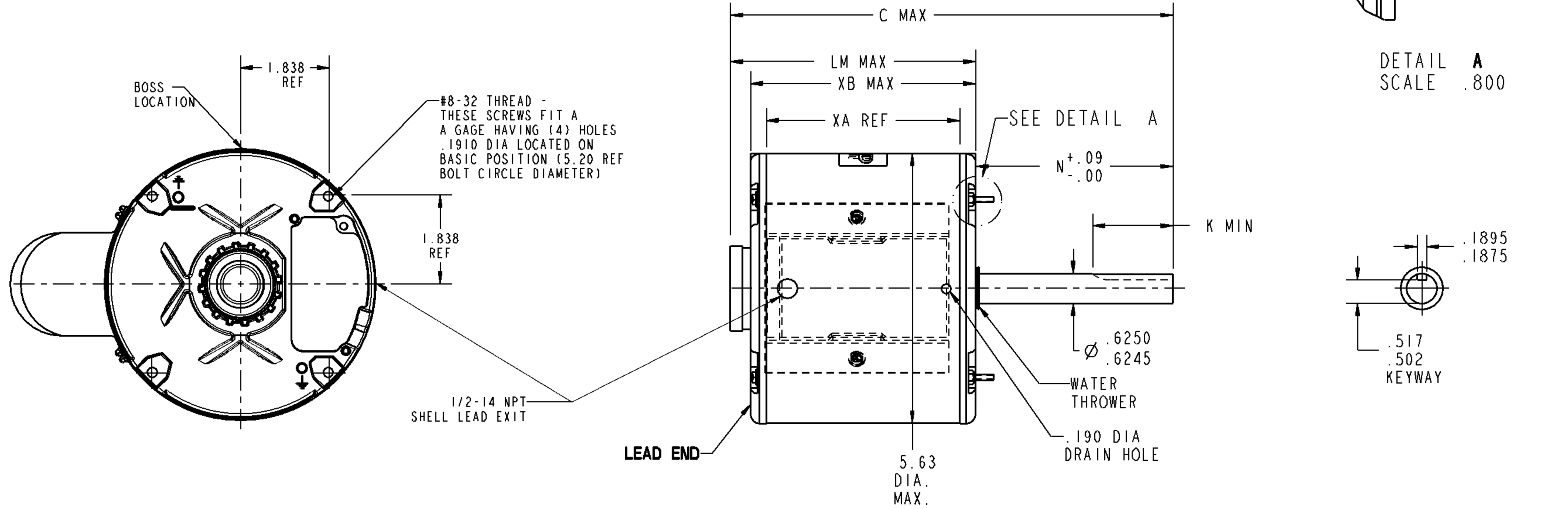
SIZE	DRAWING NO.	REV	SHEET
B	5KCP39RFBB59S	4	1

VENTILATION SYSTEM	
SHELL VENTS	CLOSED
ENDSHIELD (OPP. LEAD END)	CLOSED
ENDSHIELD (LEAD END)	CLOSED

RBC PROPRIETARY AND CONFIDENTIAL INFORMATION

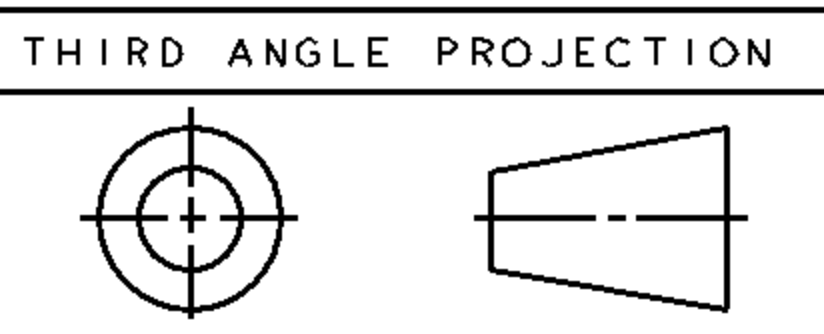
This document is the property of REGAL BELOIT CORPORATION ("RBC") including its subsidiaries and divisions and contains proprietary information of RBC. This document is loaned on the express condition that neither it nor the information contained herein shall be disclosed to others without the express written consent of RBC, and that the information shall be used by the recipient only as approved expressly by RBC. This document shall be returned to RBC upon its request. This document may be subject to certain restrictions under U.S. export control laws and regulations.

REVISIONS			
REV.	DESCRIPTION	DATE	APPROVED
3	MODIFIED CLAMP SCREW EXT PER IS:11-2526	06/02/11	PRANEETH
4	MODIFIED PER IS:11-2786	PRANEETH 06/17/11	GLENDA



NOTE:
1. DIMENSIONS SHOWN ARE NOMINAL UNLESS OTHERWISE SPECIFIED.

.65	N/A						
XC	XD						
10.51	2.55	1.40	N/A	N/A	7.965	6.22	7.105
C	N	K	XN	XK	LM	XA	XB



SND	CONNECTION	COLOR	EXIT TYPE	EXIT LOC (VIEWED LE)	BASE	MATERIAL	WALL THK	LENGTH	TERMINATION
1	N/R	N/R	N/R	N/R	D	N/R	N/R	N/R	N/R
2	N/R								

NAMEPLATE DATA	
MODEL	5KCP39RFBB59S
CUST P/N	MODEL D998
HP	1/2
RPM	825
VOLTS	115/230
HZ	60
SPEEDS	1
AMPS	6.40 3.20
CAP REQ'D-1	30.00µfd/370Volts
CAP REQ'D-2	N/R
CONN. DRW.	NP24X350112
ROTATION	CCW (VIEWED FROM LE)

REGAL BELOIT

REGAL-BELOIT CORPORATION
FORTWAYNE, INDIANA

TITLE: **MOTOR OUTLINE**
(CUSTOMER NAME : FASCO ENGR)

SIZE: B DRAWING: 5KCP39RFBB59S REV: 4

SCALE: NO ISSUED: 7/21/09 SHEET 1 of 1