

NOTES

1. STATOR LOCATION DIMENSION IS FROM SLEEVE EDGE (OPPOSITE LEAD END) TO STATOR STEEL .91/.89.
2. STATOR STACK Z/B.
3. PRESS STATOR SO THAT STATOR NOTCH LINES UP WITH WELD SEAM OF SLEEVE AND LEADS EXIT APPROX. AS SHOWN.
4. THRU AIR SPACING BETWEEN WIRE AND METAL .094 MIN.
5. TIE BOLT TORQUE TOLERANCE 13 - 17 IN. LBS.
6. SALES TO SPECIFY ON P.O. WHICH PACK TO USE.

ECO	REV.	DATE	SPEC/CHECK
640170	12	7-23-09	LDC/LDC
643011	13	04-03-12	GAE/GAE
627766	10	1-25-01	LDC/XXX
631596	11	8-14-03	LDC/LDC

A. SEE PACKAGING MANUAL PAGE 3 FOR PACKAGING PROCEDURES.

1 MOTOR/CARTON;  
14 CARTONS/LAYER;  
6 LAYERS/PALLET;  
84 MOTORS/PALLET.

B. SEE DRAWING 8785 6079, SHEET 3, FOR PALLET LAYOUT.  
C. CENTER LABEL, 6119 6431, ON END OF CARTON.  
D. PLACE PAMPHLET, 6122 4579, IN CARTON WITH MOTOR.

71xx xxxx, R

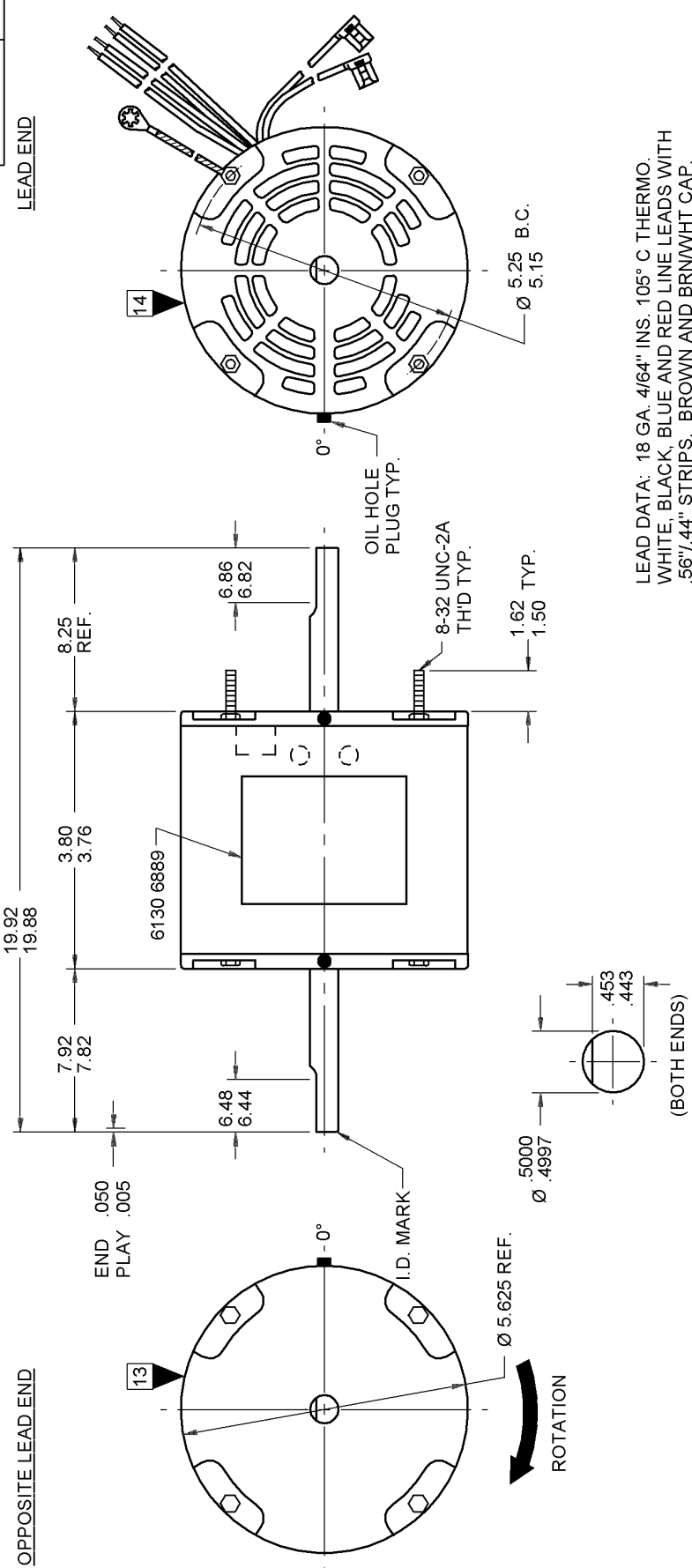
71xx xxxxC

71xx xxxzZ

PRODUCTION TEST AT IDLE 277 VOLTS 60 HZ		MOTOR SPEED		PERFORMANCE TEST		277 VOLTS 60 HZ		1 PH 1/6 HP		CAP. 5 MFD 370 VAC	
AMP	WATT	AMP	WATT	RPM	AMP	RPM	AMP	WATT	AMP	WATT	BREAK
.44	— .36	121.0	— 99.0	HIGH	.4	1189	.4	110	1075	.9	245
.33	— .27	90.2	— 73.8	MED.	.3	1188	.3	82	1075	.7	187
.22	— .18	71.5	— 58.5	LOW	.2	1187	.2	65	1075	.5	150
HI-POT TEST 2000 VOLTS											
MAX LEAKAGE CURRENT 5 mA											

LOADED		LOCKED		BREAK	
RPM	AMP	RPM	AMP	OZ/FT	WATT
1189	.4	1075	.9	6.0	426
1188	.3	1075	.7	4.9	323
1187	.2	1075	.5	3.6	259

OPPOSITE LEAD END	LEAD END
7126 1336	MA



LEAD DATA: 18 GA. 4/64" INS. 105° C THERMO. WHITE, BLACK, BLUE AND RED LINE LEADS WITH .56/.44" STRIPS. BROWN AND BRN/WHY CAP. LEADS WITH 1/4" FLAG TERMINALS. ALL LEADS ARE 28.00"/26.00" LONG.

GROUND DATA: 18 GA. 2/64" INS. 105° C THERMO. GRN/YEL 13.00"/12.00" LONG WITH A # 10 SERRATED RING TERMINAL.

**FASCO** FASCO INDUSTRIES, INC. **MODEL D979**  
MOTOR DIVISION THERMALLY PROTECTED  
ASSEMBLED IN MEXICO

V. 277 HZ 60 PH 1 ROT ←  
HP 1/6-1/8-1/10 AO CAP 5 MFD 370 VAC  
AMP .9-.7-.6 40° C AMB NO. 7126-1336  
RPM 1075 (3 SPD) INS CL B TYPE U26B1

CONNECTION DIAGRAM  
BRN/WHY → CAPACITOR LINE  
BLK-HI → LINE  
BLU-MED → LINE  
RED-LO → GROUND  
GRN/YEL → GROUND

**SAFETY WARNING**  
THIS MOTOR MUST BE GROUNDED IN ACCORDANCE WITH LOCAL OR NATIONAL ELECTRICAL CODES TO PREVENT POSSIBLE INJURY DUE TO ELECTRICAL SHOCK

DATE/BAR CODE AREA PER 8882 6003

6130 6889,R REV. 7

LOCATE Ø OF NAMEPLATE ON Ø OF SLEEVE TO READ RIGHT FROM LEAD END OF MOTOR CENTER AT 0°.

SIZE 3.50 X 2.00

SPECIAL INSTRUCTIONS: FLATS TO BE PARALLEL WITHIN ± 20°. SHAFT IS BONDERIZED.  
ROTOR IS RUSTPROOFED. PAMPHLET PACKED WITH MOTOR.

MOTORS PACKED MAX. PER SKID: PALLET PACK, 84 CARTON PACK, TRAY PACK.  
CUSTOMER: FASCO DISTRIBUTING CO. PROPRIETARY: DO NOT DUPLICATE OR DISCLOSE TO THIRD PARTIES WITHOUT WRITTEN PERMISSION OF FASCO IND. INC., ELDON, MO.

PART NUMBER: D979 FASCO MOTOR AND LEADS MOTOR DIVISION ELDON PLANT

APPLICATION: DIST. SALES MOTOR TYPE P.S.C.  
FINISH COLOR: GRAY

MOTOR WEIGHT:	9.50	LBS.
ENVIRONMENT:	WET	
INSULATION CLASS:	B	

MOTOR NUMBER	REV.
7126 1336	13

B	LA	FR	A	S	C	E	B	A
00	26	30	V	19	AB	7	E	0