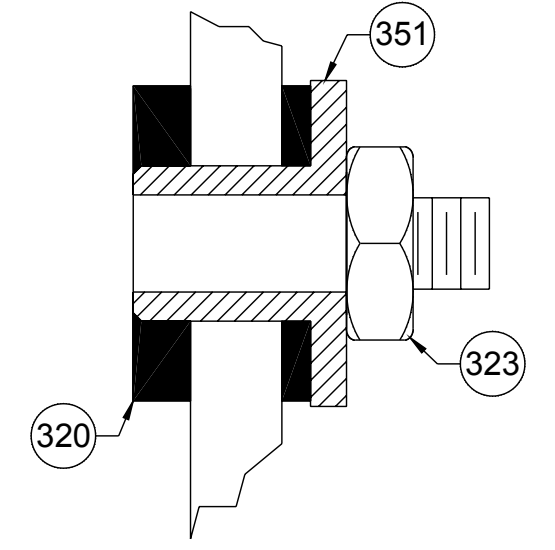


APPLICATION:	HVAC	B	LA	FR	A	S	C	E	B	A
CUSTOMER:	FASCO DIST.	19	90	33	V	08	AR	6	5	0
CUSTOMER PN:	D9459									

- NOTES:
1. CAPACITOR RATING: 7.5 MFD/370 VAC.
  2. NO IMPELLER GAUGE REQUIRED.
  3. INSPECTION TEST FIXTURING IS REQUIRED.
  4. ASSEMBLE GROUND STRAP WITH PC 325 SCREW AS SHOWN.
  5. PACK 1 PER CONTAINER, 6 CONTAINERS PER LAYER, 2 LAYERS PER PALLET, 12 CONTAINERS MAX. PER PALLET. PACKING ASSY. 87855331 P.S. 88834200 AND P.S. 88834408
  6. CARTON LABELS MUST ALL FACE ONE DIRECTION TOWARD THE OPEN END OF THE PALLET. SEE P.S. 88834408.
  7. NO PACKAGING TAPE OVER CARTON LABEL.
  8. PLACE (1) FLAT PAD ON PALLET, (1) BETWEEN EACH LAYER AND (1) ON TOP. PLACE ALL INSPECTION STICKERS AND WRITING ON TOP FLAT PAD TO PREVENT MARKING ON CARTONS, PRIOR TO STRETCH WRAPPING.

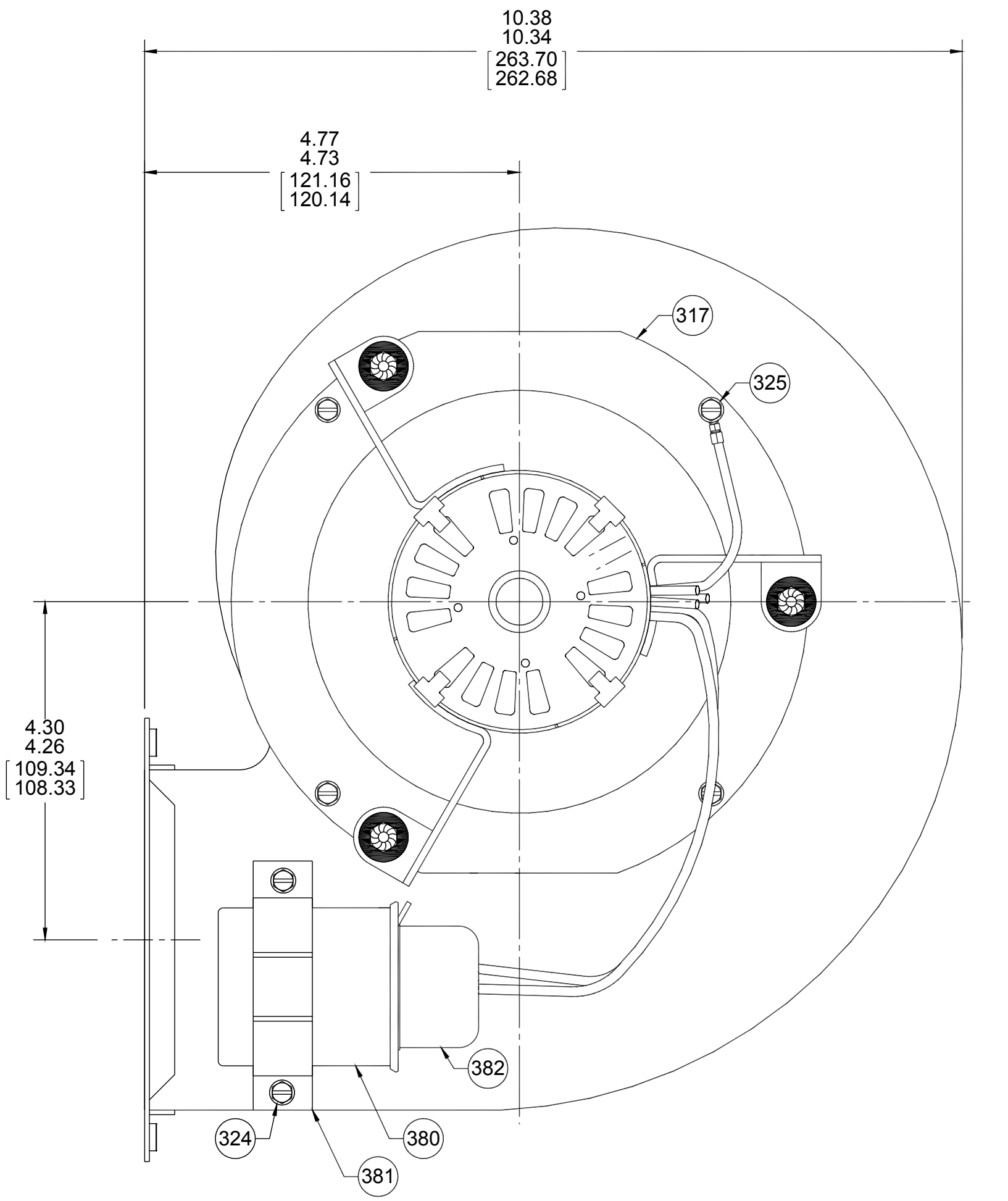
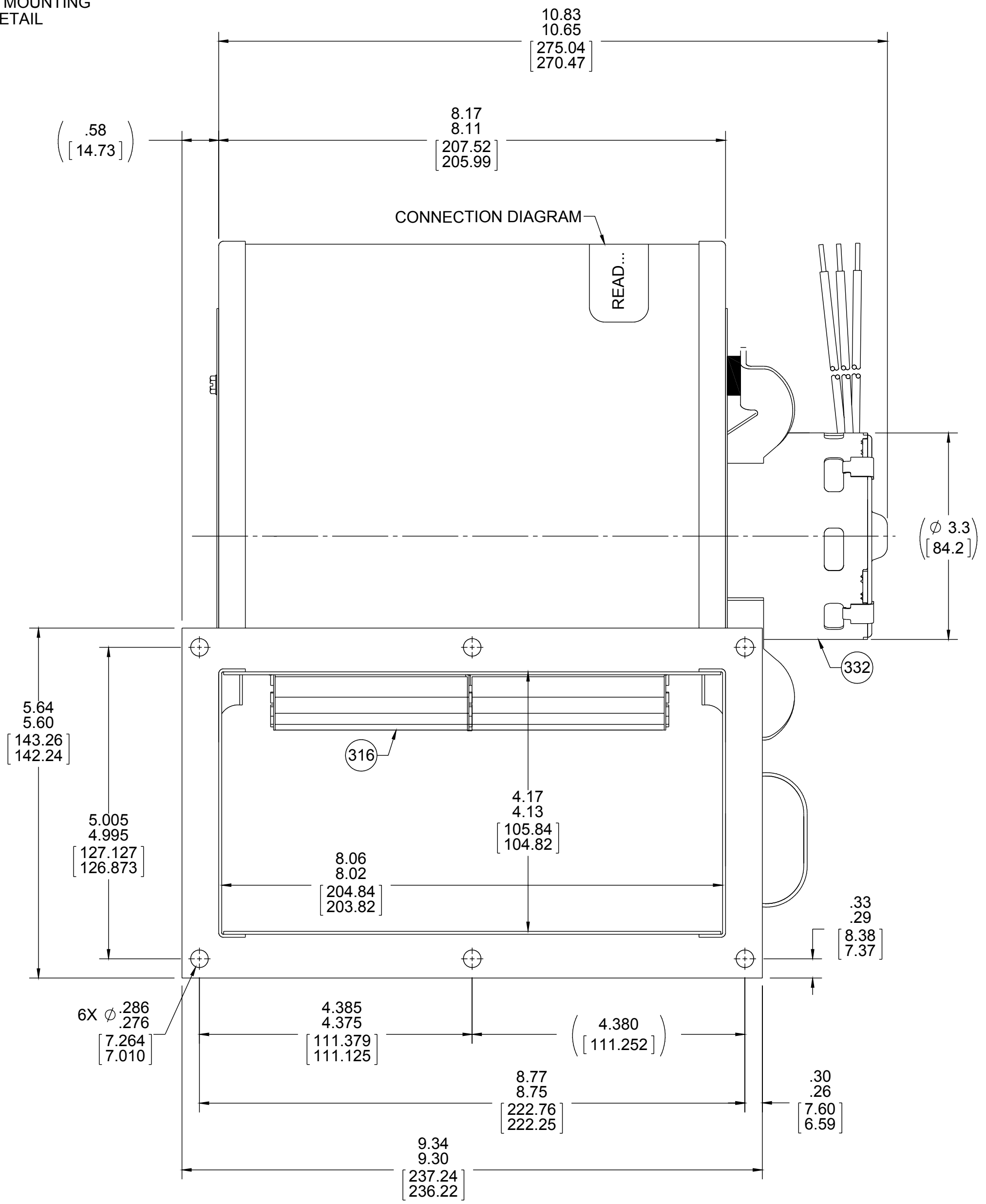
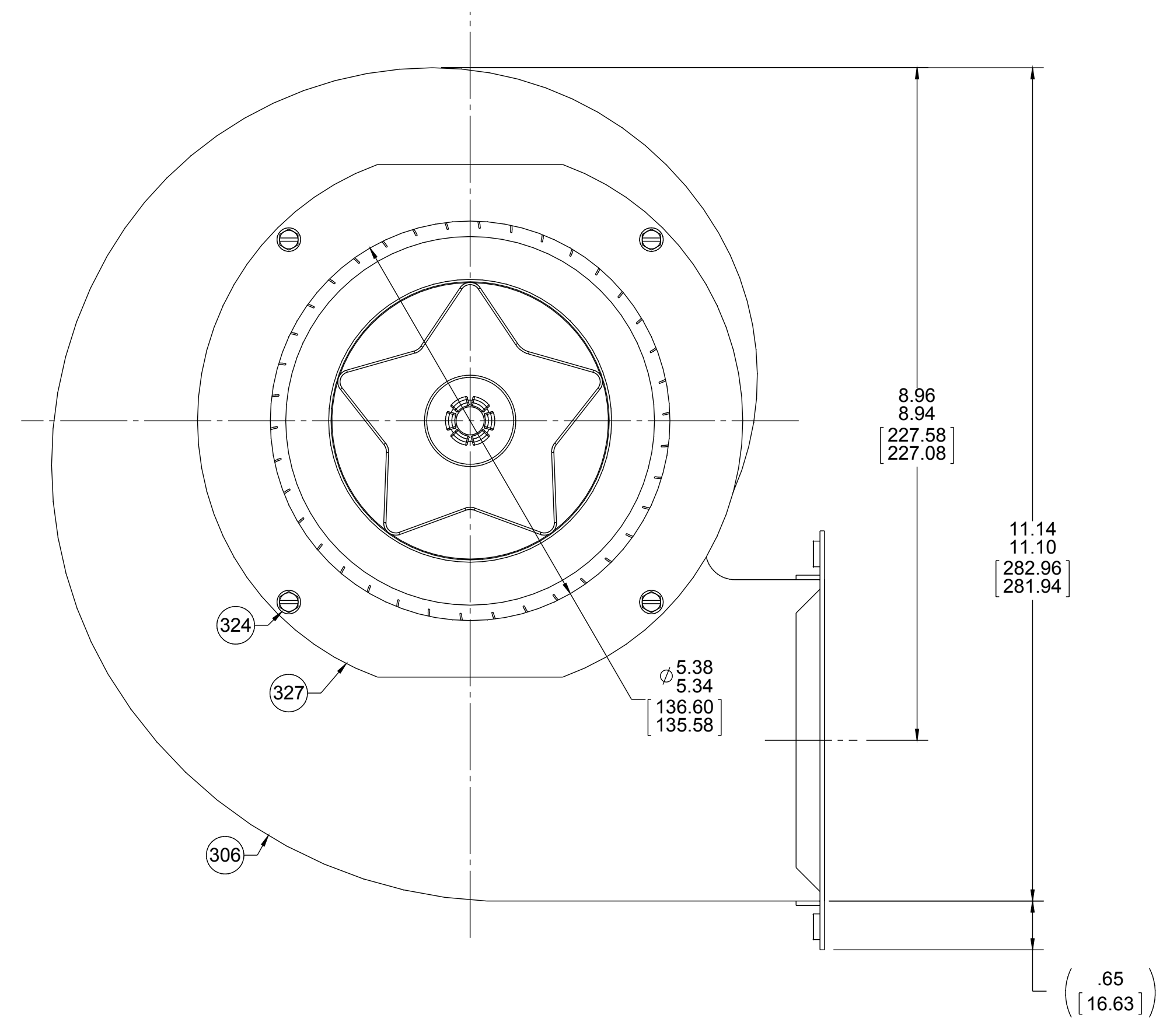


MOTOR MOUNTING DETAIL

LEAD MATERIAL  
 18 GA. 2/64 INSUL. 125°C.  
 X-LINKED POLY.  
 BLACK, WHITE, RED  
 14.00 / 12.00 [355.60 / 304.80]  
 W/STRIP .56 / .44 [14.22 / 11.18]

CAPACITOR LEADS  
 (2) BROWN  
 10.00 / 8.00 [254.00 / 203.20]  
 W/FLAG TERM. 89034045  
 AMP 42742-2

GROUND LEAD  
 GRN/YEL  
 7.00 / 5.00 [177.80 / 127.00]  
 W/RING TERM. 89020156  
 AMP 61794-1



10730376

Connection Diagram	Wht	Common
	Blk	High
	Red	Low
	Bm	Br
	Bm/Yel	Grd

TYPICAL PERFORMANCE TEST DATA WITH A 3.25 INLET RESTRICTOR			
AT 115 VOLTS 60 Hz			
	RPM	WATTS	AMPS
HIGH	1519	288.5	2.79
LOW	1179	209.5	2.03
BLOWER WEIGHT LBS.		ENDPLAY .030 / .010 [ .762 / .254 ]	

DRAWING REVISION B	REVISION BY MLS	DATE 8/20/2015	TOLERANCES UNLESS OTHERWISE SPECIFIED: DEC. INCH. mm ANGLE	DRAWN BY SED	REGAL™ Regal Beloit America, Inc.
ECO-0083384	APPROVED BY MLM	DATE 8/20/2015	.XX ±0.01 [+0.25] .XXX ±0.005 [+0.127] .XXXX ±0.0005 [+0.0127]	DATE 6/10/2015	
CORRECT PACKING NOTE, UPDATE TEST DATA			REMOVE BURRS & BREAK SHARP EDGES: .003 [0.076] X 45° CORNER FILLETS: R.02 [5.1] MACHINED SURFACES: 125 / 32 INCH / mm	APPROVED BY PLA	DESCRIPTION BLOWER ASSY
BLOWER ASSY			THIRD ANGLE PROJECTION	DATE 6/10/2015	MATERIAL
BLOWER ASSY			SIZE D	REFERENCE	PROCESS/FINISH BLACK
BLOWER ASSY			DRAWING NUMBER 70903373	REFERENCE	SHEET 1 OF 1