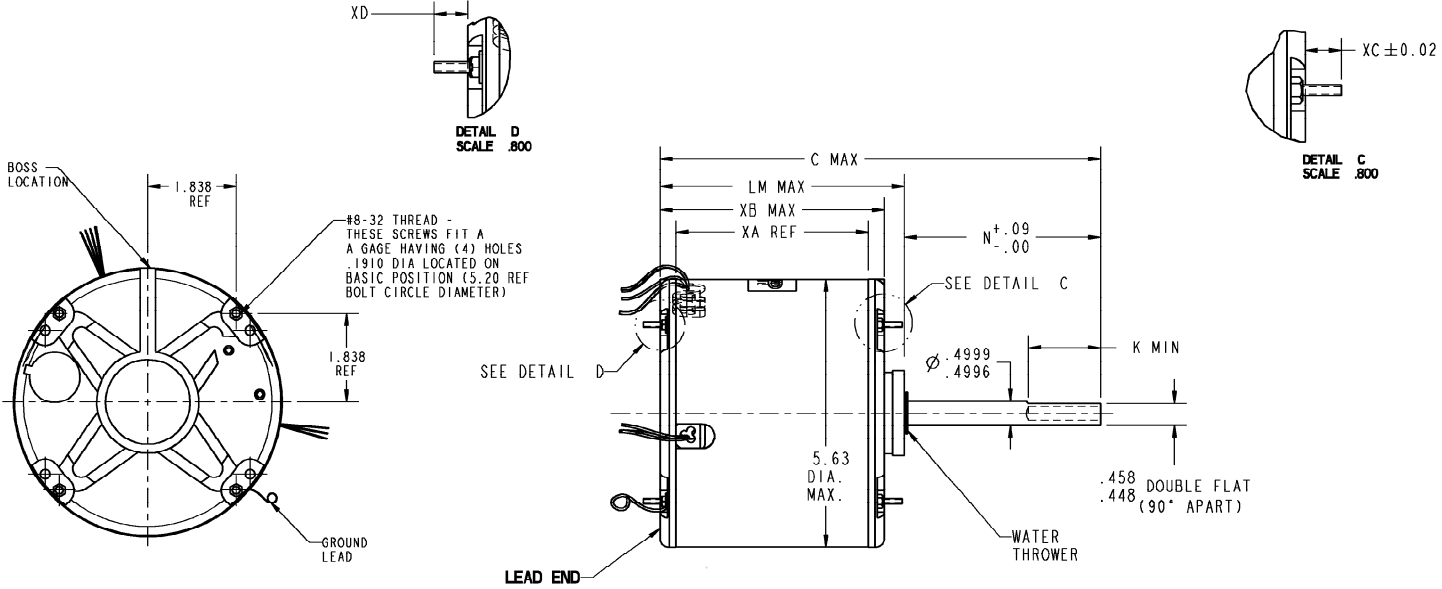
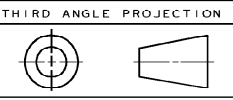


VENTILATION SYSTEM		RBC PROPRIETARY AND CONFIDENTIAL INFORMATION This document is the property of REGAL BELOIT CORPORATION ("RBC") including its subsidiaries and divisions and contains proprietary information of RBC. This document is loaned on the express condition that neither it nor the information contained therein shall be disclosed to others without the express written consent of RBC, and that the information shall be used by the recipient only as approved expressly by RBC. This document shall be returned to RBC upon its request. This document may be subject to certain restrictions under U.S. export control laws and regulations.	REVISIONS			
SHELL VENTS	CLOSED		REV.	DESCRIPTION	DATE	APPROVED
ENDSHIELD (OPP. LEAD END)	OPEN		1	REL TO PROD AS PER IS:09-1135	03/26/09	AVL
ENDSHIELD (LEAD END)	CLOSED					



NOTE:
1. DIMENSIONS SHOWN ARE NOMINAL UNLESS OTHERWISE SPECIFIED.

		1.50	1.52						
		XC	XD						
11.46	5.50	4.35	N/A	N/A	5.89	4.82	5.48		
C	N	K	XN	XK	LM	XA	XB		



SNO	CORRECTION	COLOR	EXIT TYPE	EXIT LOC. (REVISED LD)	QNGE	MATERIAL	BULL THK	LENGTH	TERMINATION
1	COMMON LEAD	WHITE	4-5 LD BUSHING	3:20	18	EPDM	4/64	38.00	.50 BWS
2	REV LEAD	YELLOW	2-3 LD BUSHING	11:20	18	EPDM	2/64	4.00	.25 MALE ISOC
3	CAPACITOR LEAD	BROWN	4-5 LD BUSHING	3:20	18	EPDM	4/64	37.00	.25 FOC
4	REV LEAD	ORANGE	2-3 LD BUSHING	11:20	18	EPDM	2/64	4.00	.25 MALE ISOC
5	CAPACITOR LEAD	BRN/WHI	4-5 LD BUSHING	3:20	18	EPDM	4/64	38.00	.25 FOC
6	REV LEAD	BROWN	2-3 LD BUSHING	11:20	18	EPDM	2/64	4.00	.25 FISOC LO INS FORCE
7	HIGH SPEED LEAD	BLACK	4-5 LD BUSHING	3:20	18	EPDM	4/64	37.00	.50 BWS
8	REV LEAD	PURPLE	2-3 LD BUSHING	11:20	18	EPDM	2/64	4.00	.25 FISOC LO INS FOR
9	GROUND	GRN-YEL	CLAMPSCREW	4:30	18	THERMOPLASTIC	2/64	12.00	#10 SERR EYELET

NAMEPLATE DATA	
MODEL	5KCP39MFAE19S
CUST P/N	MODEL D938
HP	1/2
RPM	825
VOLTS	208-230
HZ	60
SPEEDS	1
AMPS	3.40
CAP RECD-1	7.50µfd/370Volts
CAP RECD-2	N/R
CONN. DRW	NP24X327691
ROTATION	CCW/CW (VIEWED FROM LEAD END)

REGAL BELOIT CORPORATION
FORTWAYNE, INDIANA

TITLE: **MOTOR OUTLINE**
(CUSTOMER NAME : FASCO IND)

SIZE DRAWING: **5KCP39MFAE19S** REV: **1**

SCALE: NO ISSUED: 3/26/09 SHEET 1 of 1