

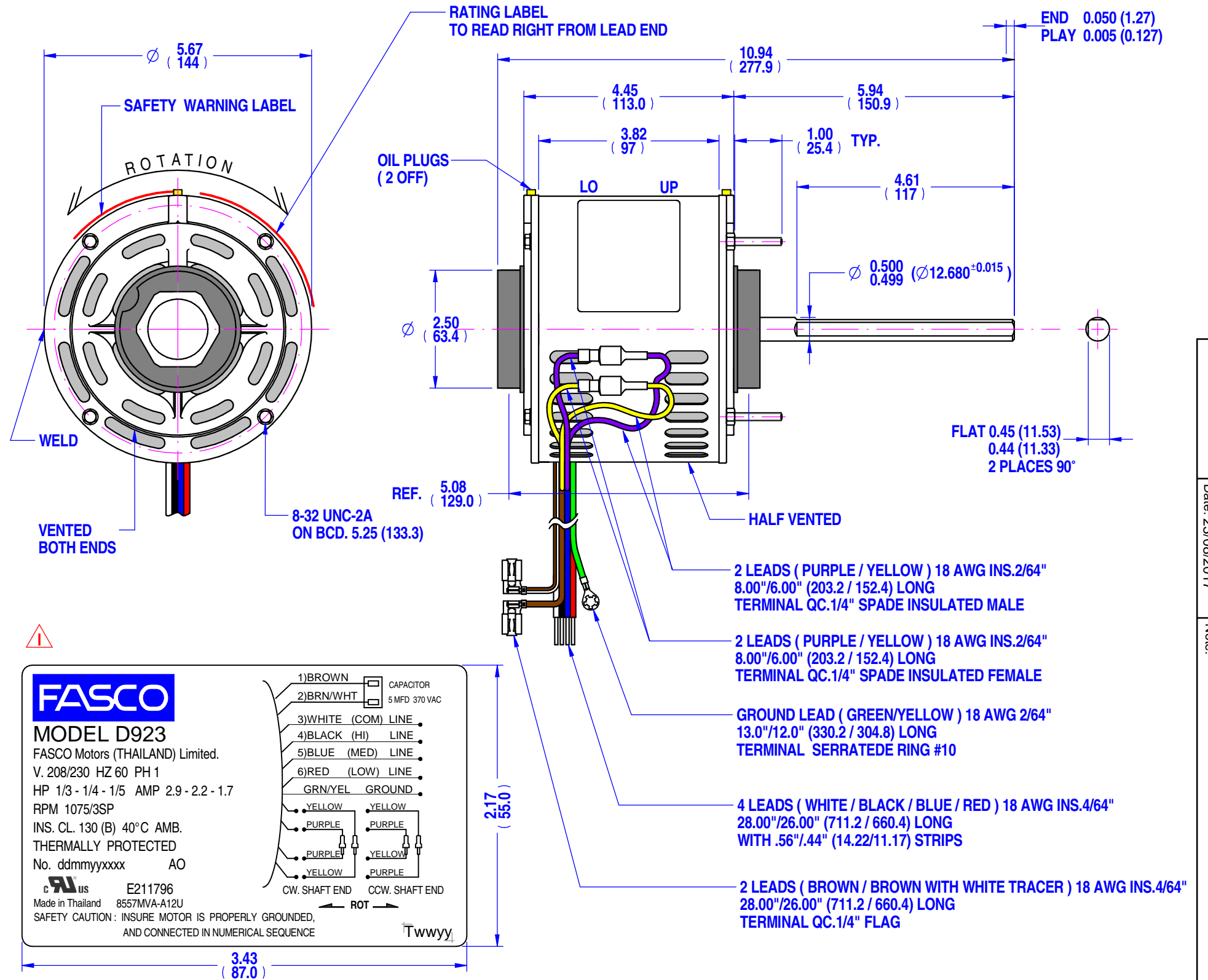
**MOTOR SPECIFICATION**

**8557MVA-A12U**

Q.R. No.	Y001173	CUSTOMER NO.	D923					
CUSTOMER	FASCO USA							
MOTOR RATING	VOLTS	208/230	Hz	60	Ph	1	Duty	S1 AOM
	RPM.	1075/3SP		2.9		AMPS		
	NOM. OUTPUT	315 WATTS (1/3 HP)						
ROTATION	REVERSIBLE							
CAPACITOR	START	-----	μF/V	RUN	5/---	μF/V		
ENCLOSURE	DRIPPROOF							
MOTOR TYPE	PSC	INSULATION CLASS	130 (B)					
THERMAL PROTECTION	AUTO RESET OVERLOAD							
APPLICATION	FAN AXIAL - SHAFT HORIZONTAL							
BEARING D.E.	SLEEVE		LUBRICATION	PERMAWICK OPERA. TEMP				
BEARING N.D.E.	SLEEVE		-15° ~ 90° C					
SUPPLY LEAD	AS SHOWN							
EARTH PROVISION	SUPPLIED							
BASIC BUILD SPECIFICATION	305-742-03	PAINT/ COLOUR	PC GREY PLAIN E/SHIELDS					
PERFORMANCE SPECIFICATION	SP85258-01	RATING LABEL	AS SHOWN					
CONNECTION DIAGRAM	AS SHOWN							

FINAL INSPECTED MOTORS MUST COMPLY WITH ELECTRIC MOTOR VIBRATION SPECIFICATION (ES049)

THIRD ANGLE PROJECTION



**SAFETY WARNING**

THIS MOTOR MUST BE GROUNDED IN ACCORDANCE WITH LOCAL OR NATIONAL ELECTRICAL CODES TO PREVENT POSSIBLE INJURY DUE TO ELECTRICAL SHOCK

P071946

2.44 (62.0)

0.55 (14.0)

NOTE : DIMENSIONS SHOWN INCH (mm.)

**SPECIAL REQUIREMENTS:**

- CAPACITOR SUPPLIED BY CUSTOMER.
- DO NOT PACK MOTOR IN PLASTIC BAG.
- PUSH AND PULL SHAFT TO CENTRALIZE WASHER SLINGER.
- STAMP FDC PART NUMBER FDC-D923 ON THE BULK PACK.
- ADD SAFETY BOOK P/N 398-063-02 IN ALL INDIVIDUAL CARTON.

<b>UNLESS OTHERWISE SPECIFIED : DIMENSIONS ARE IN MM. TOLERANCES</b>	
DECIMALS	ANGULAR
.X ± 1.0	± 30'
.XX ± 0.1	
THIS DRAWING REMAINS THE PROPERTY OF FASCO MOTORS AND MAY NOT BE USED, COPIED OR ISSUED WITHOUT WRITTEN PERMISSION FROM FASCO MOTORS	

MOTOR WEIGHT	6.0 kg.
DRAWN	Nithad 05/08/2003
CHECKED	Pipat 24/08/2017
RELEASED	Sutthipant 24/08/2017
SCALE	N.T.S.

<p>29/7-8 MOO 3, BANGKRUAY - SAINOI Rd., BANGKRANG, MUANG NONTABURI DISTRICT, NONTABURI 11000 THAILAND</p>	FRAME	MOTOR
	STATUS	S258:8557V-315-MCX:FDC
	SHEET	DWG. NO.
	A3	8557MVA-A12U
		REVISION
		I