

NOTES

1. STATOR LOCATION DIMENSION IS FROM SLEEVE EDGE (OPPOSITE LEAD END) TO STATOR STEEL .91/.89.
2. STATOR STACK 1".
3. PRESS STATOR SO THAT STATOR NOTCH LINES UP WITH WELD SEAM OF SLEEVE AND LEADS EXIT APPROX. AS SHOWN.
4. THRU AIR SPACING BETWEEN WIRE AND METAL .094 MIN.
5. TIE BOLT TORQUE TOLERANCE 13 - 17 IN. LBS.
6. ASSEMBLE ADAPTER PLATE ASSEMBLY, 8501 6021, ON LEAD END OF MOTOR. ASSEMBLE WITH SPACER, 8867 0153, BETWEEN ADAPTER PLATE ASSY. AND MOTOR ON EACH TIE BOLT.
7. SALES TO SPECIFY ON P.O. WHICH PACK TO USE.
8. (4) EXTRA NUTS, 8772 6000, ASSEMBLED ON ADAPTER RING ASSEMBLY TO BE FINGER TIGHT.

ECO	REV.	DATE	SPEC/CHECK
628452	34	5-9-01	CSB/RWS
631339	35	6-17-03	LDC/LDC
640551	36	09-29-09	GAE/GAE
642952	37	3-14-12	NJP/NJP

71xx xxxx,R

A. SEE PACKAGING MANUAL PAGE 4 FOR PACKAGING PROCEDURES.

1 MOTOR/CARTON;
12 MOTORS/LAYER;
4 LAYERS/PALLET;
48 MOTORS/PALLET.

B. SEE DRAWING 8785 6079 SH. 2 FOR PALLET LAYOUT.

C. CENTER LABEL, 6119 6128, ON END OF CARTON.

D. PLACE PAMPHLET, 6122 4579, IN CARTON WITH MOTOR.

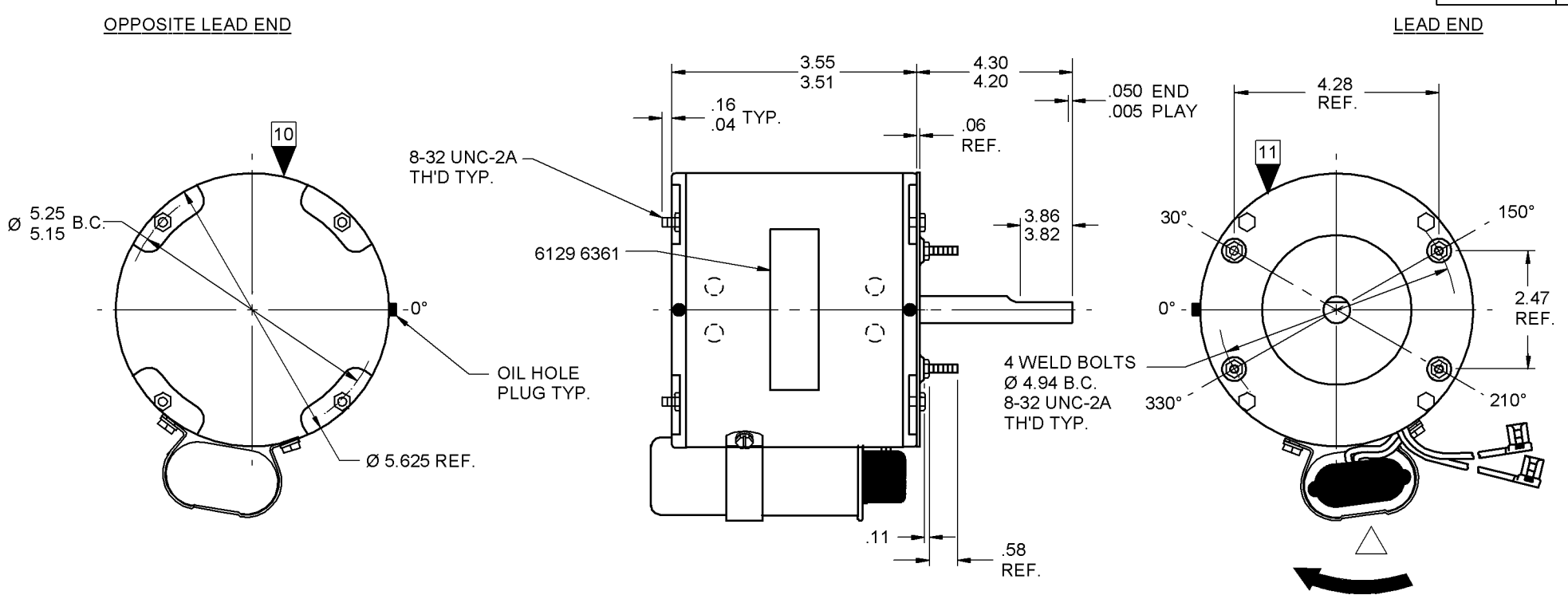
71xx xxxxC

71xx xxxxZ

If Printed, this is an Uncontrolled Document

PRODUCTION TEST AT IDLE 230 VOLTS 60 HZ		MOTOR SPEED	PERFORMANCE TEST 230 VOLTS 60 HZ 1 PH 1/5 HP CAP. 7.5 MFD 370 VAC										
AMP	WATT		IDLE			LOADED				LOCKED			BREAK
			RPM	AMP	WATT	OZ/FT	RPM	AMP	WATT	OZ/FT	AMP	WATT	OZ/FT
.66 — .54	149.6 — 122.4	HIGH	1193	.6	136	20.3	1080	1.4	314	9.7	2.6	524	25.8
HI-POT TEST 2000 VOLTS													
MAX LEAKAGE CURRENT 5 mA													

7126 0320 MA



LEAD DATA: 18 GA. 4/64" INS. 105° C THERMO. RED AND BLACK LINE LEADS 52.00"/50.00" LONG. 2 BROWN CAP. LEADS 3.00"/2.00" LONG. ALL WITH 1/4" FLAG TERMINALS.

IF MOUNTING MOTOR HORIZONTALLY, 0° MUST BE AT TOP OF MOTOR ± 60°.

FASCO FASCO INDUSTRIES, INC. MOTOR DIVISION ASSEMBLED IN MEXICO

THERMALLY PROTECTED

V. 230 HZ 60 PH 1 TEAO ROT ← MODEL D882

HP 1/5 INS CL B 40° C AMB CAP 7.5 MFD 370 VAC

AMP 1.5 RPM 1080 TYPE U26B1 NO. 7126-0320

CONNECTION DIAGRAM: BROWN — CAPACITOR, RED — LINE, BLACK — LINE

SAFETY WARNING
THIS MOTOR MUST BE GROUNDED IN ACCORDANCE WITH LOCAL OR NATIONAL ELECTRICAL CODES TO PREVENT POSSIBLE INJURY DUE TO ELECTRICAL SHOCK

DATE/BAR CODE AREA PER 8882 6003

6129 6361,R REV. 13

SPECIAL INSTRUCTIONS: SHAFT IS BONDERIZED. ROTOR IS RUSTPROOFED.

△ CAPACITOR LEADS MUST NOT PROTRUDE PAST MOTOR FACE. PAMPHLET PACKED WITH MOTOR.

MOTORS PACKED MAX. PER SKID: ___ PALLET PACK, 48 CARTON PACK, ___ TRAY PACK.

CUSTOMER: FASCO DISTRIBUTING CO. PROPRIETARY: DO NOT DUPLICATE OR DISCLOSE TO THIRD PARTIES WITHOUT WRITTEN PERMISSION OF FASCO IND. INC., ELDON MO.

FASCO INDUSTRIES, INC. MOTOR DIVISION ELDON PLANT

PART NUMBER: D882

APPLICATION: DIST. SALES MOTOR TYPE P.S.C. MOTOR NUMBER 7126 0320 REV. 37

B	LA	FR	A	S	C	E	B	A
00	26	30	T	04	BD	5	E	0

INSULATION CLASS: B

LOCATE C OF NAMEPLATE ON C OF SLEEVE TO READ RIGHT FROM OPPOSITE LEAD END OF MOTOR CENTER AT 0°.

SIZE 3.50 X 1.00