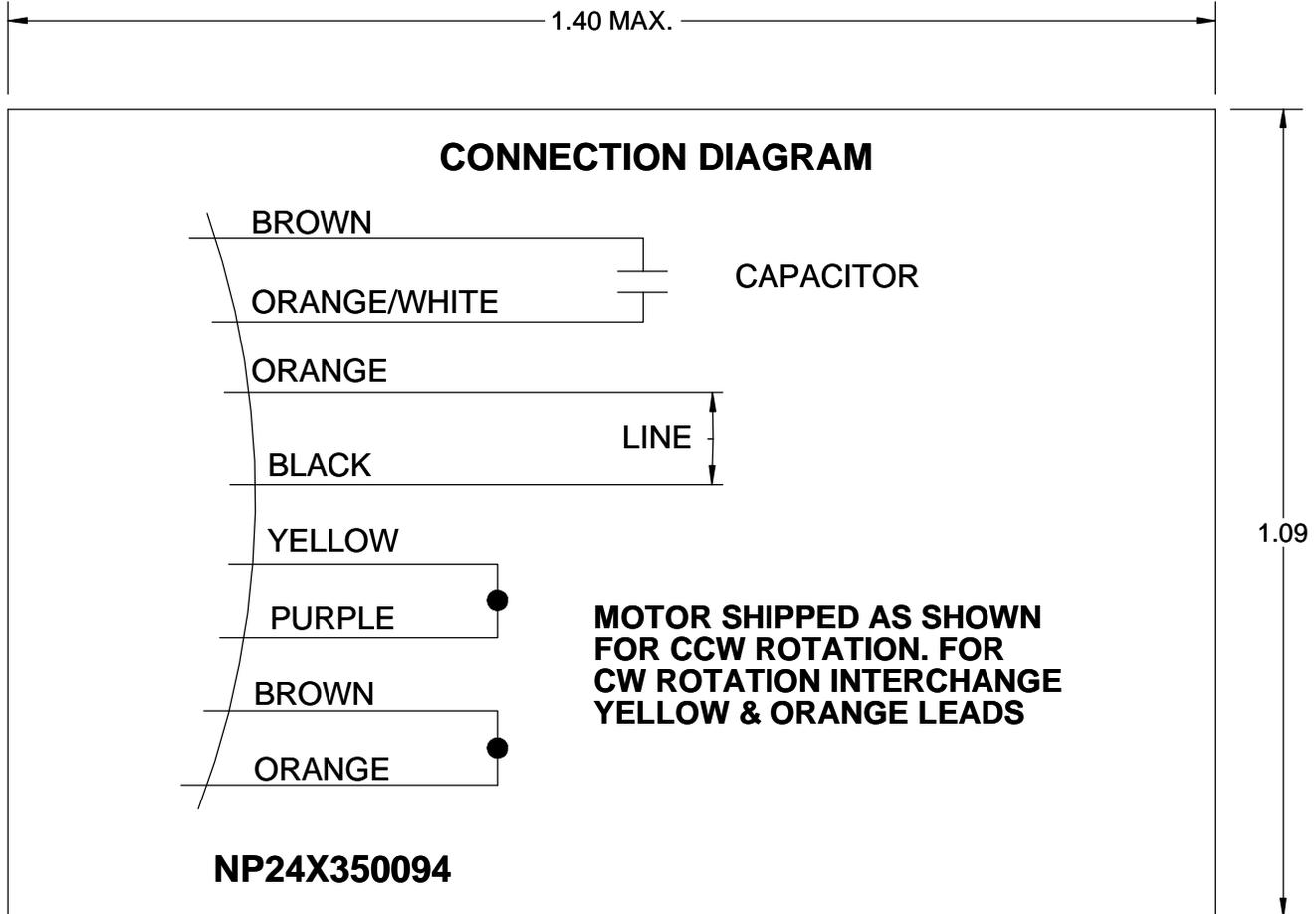


COPYRIGHT REGAL BELOIT AMERICA, INC. ALL RIGHTS RESERVED. UNCONTROLLED COPY
 PROPRIETARY AND CONFIDENTIAL INFORMATION - THIS DOCUMENT IS THE PROPERTY OF
 REGAL BELOIT AMERICA, INC. ("OWNER") AND CONTAINS OWNER'S PROPRIETARY
 INFORMATION. ANY PERSON, CORPORATION OR OTHER FIRM RECEIVING IT IS DEEMED,
 BY RECEIVING IT, TO AGREE THAT IT, AND/OR ANY PART OF IT, SHALL NOT BE DISCLOSED
 TO ANY PERSON, CORPORATION OR OTHER ENTITY, DUPLICATED, AND/OR USED, EXCEPT
 AS EXPRESSLY APPROVED IN WRITING IN ADVANCE BY OWNER. THIS DOCUMENT SHALL
 BE RETURNED TO OWNER UPON REQUEST. IT MAY BE SUBJECT TO CERTAIN
 RESTRICTIONS UNDER APPLICABLE EXPORT CONTROL LAWS AND REGULATIONS.

DRAWING REVISION A	REVISION BY KEP	DATE 11/20/2018
ECO ECO-0156990	APPROVED BY KEP	DATE 11/20/2018
ECO DESCRIPTION REDRAWN IN SW AND RELEASED TO IDS		



NOTES:

1. TYPE FACE: COLORS OR NUMBERS DENOTING LEAD IDENTIFICATION AND N.P. NUMBER ARE TO BE 18 POINT NEWS GOTHIC CONDENSED. OTHER INFORMATION SHOULD BE 18 POINT IF SPACE ALLOWS, OTHERWISE USE 14 POINT.
2. MATERIALS: 4 MIL WHITE VINYL ADHESIVE STOCK RBC SPEC A50FG41-S1
BLACK INK RBC SPEC A50FM48
3. THE BOX LINES AND DIMENSIONS REPRESENT THE SIZE OF THE TAPE TO BE USED. DO NOT INCLUDE THESE IN STAMP FORMAT.

	DRAWN BY KEP	Regal Beloit America, Inc.		
	DATE 11/20/2018			
	APPROVED BY KEP	DESCRIPTION CONN DIAGRAM-EXTERNAL		
	DATE 11/20/2018	MATERIAL SEE NOTE - 2	PROCESS/FINISH	
	REFERENCE	SIZE A	DRAWING NUMBER NP24X350094	SHEET 1 OF 1
	THIRD ANGLE PROJECTION			