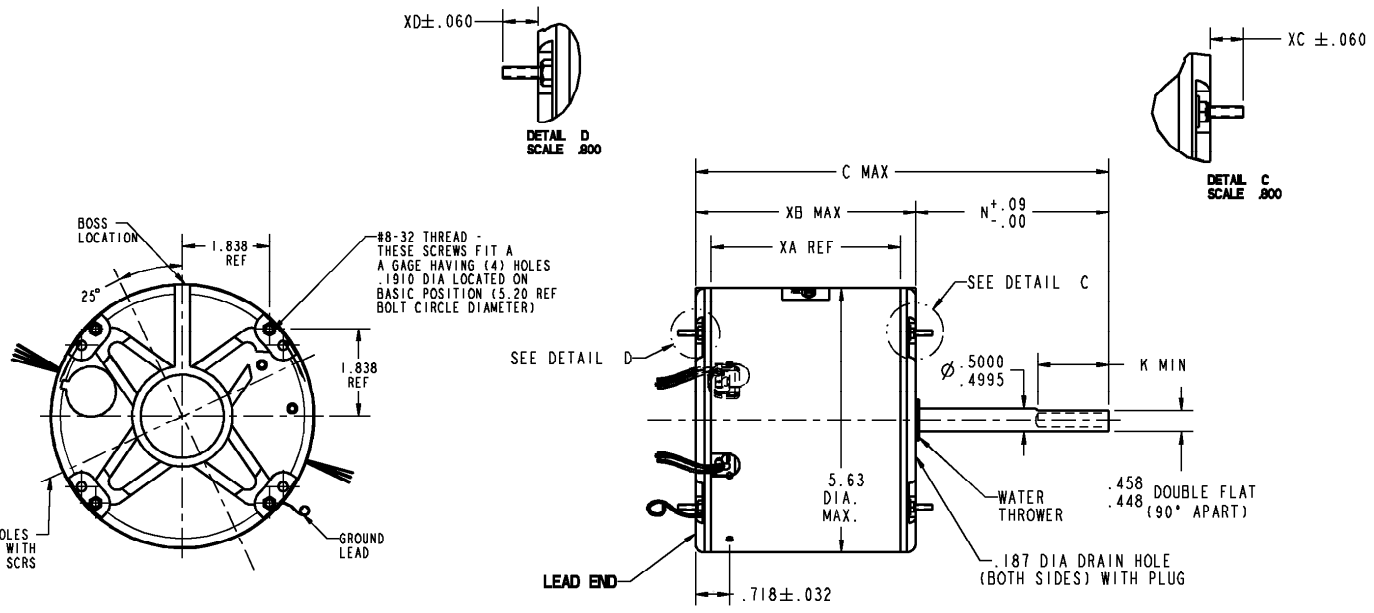


NAME: 100020344 OBJECT: 5KCP39GFAE12S DATE: 18-May-10 12:31:59

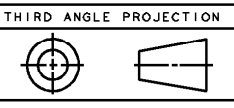
VENTILATION SYSTEM		RBC PROPRIETARY AND CONFIDENTIAL INFORMATION	REVISIONS			
SHELL VENTS	CLOSED	This document is the property of REGAL BELOIT CORPORATION ("RBC") including its subsidiaries and divisions and contains proprietary information of RBC. This document is loaned on the express condition that neither it nor the information contained therein shall be disclosed to others without the express written consent of RBC, and that the information shall be used by the recipient only as approved expressly by RBC. This document shall be returned to RBC upon its request. This document may be subject to certain restrictions under U.S. export control laws and regulations.	REV.	DESCRIPTION	DATE	APPROVED
ENDSHIELD (OPP. LEAD END)	CLOSED		3	RELEASE FOR PROD PER IS09-1115	03/25/09	AVL
ENDSHIELD (LEAD END)	CLOSED		4	CHANGES MADE PER IS:10-1981	05/18/10	GLENDA



(4) .134/.130 DIA HOLES  
90° APART WITH  
1/4-8-18 THRD FRM SCRS

#8-32 THREAD -  
THESE SCREWS FIT A  
GAGE HAVING (4) HOLES  
.1910 DIA LOCATED ON  
BASIC POSITION (5.20 REF  
BOLT CIRCLE DIAMETER)

NOTE:  
1. DIMENSIONS SHOWN ARE NOMINAL  
UNLESS OTHERWISE SPECIFIED.



WIRE	CONNECTION	COLOR	END TYPE	EXIT LOC. (INCHES)	GAUGE	MATERIAL	WALL THK	LENGTH	TERMINATION
1	COMMON LEAD	WHITE	4-5 LD BUSHING	3:40	18	THERMOPLASTIC	4/64	55.00	.50 BWS
2	REV LEAD	YELLOW	2-3 LD BUSHING	9:40	18	EPDM	2/64	4.00	.25 MALE ISDC
3	CAPACITOR LEAD	BROWN	4-5 LD BUSHING	3:40	18	THERMOPLASTIC	4/64	55.00	.25 FOC
4	REV LEAD	ORANGE	2-3 LD BUSHING	9:40	18	EPDM	2/64	4.00	.25 MALE ISDC
5	CAPACITOR LEAD	BRN/WHIT	4-5 LD BUSHING	3:40	18	THERMOPLASTIC	4/64	55.00	.25 FOC
6	REV LEAD	BROWN	2-3 LD BUSHING	9:40	18	EPDM	2/64	4.00	.25 FISDC LO INS FORCE
7	HIGH SPEED LEAD	BLACK	4-5 LD BUSHING	3:40	18	THERMOPLASTIC	4/64	55.00	.50 BWS
8	REV LEAD	PURPLE	2-3 LD BUSHING	9:40	18	EPDM	2/64	4.00	.25 FISDC LO INS FORCE
9	GROUND	GRN-YEL	CLAMPSCREW	4:30	18	THERMOPLASTIC	2/64	12.00	#10 SERR EYELET

NAMEPLATE DATA	
MODEL	5KCP39GFAE12S
CLUST P/N	MODEL D799
HP	1/6
RPM	825
VOLTS	208-230
HZ	60
* SPEEDS	1
AMPS	1.30
CAP REQD-1	5.00µfd/370Volts
CAP REQD-2	N/R
CONN GRP	NP24X327691
ROTATION	CCW/CW (VIEWED FROM LEAD END)

10.56	6.00	5.45	N/A	N/A	N/A	1.65	1.39
C	N	K	XN	XK	LM	XC	XD
						3.82	4.48

**REGAL BELOIT CORPORATION**  
FORTWAYNE, INDIANA

TITLE: **MOTOR OUTLINE**  
(CUSTOMER NAME : FASCO)

SIZE DRAWING: B  
SCALE: NO  
ISSUED: 3/25/09  
REV 4  
SHEET 1 of 1