

SIZE DRAWING NO. **B** 5KCP39HFBB22S REV. SHEET **1**

RBC PROPRIETARY AND CONFIDENTIAL INFORMATION

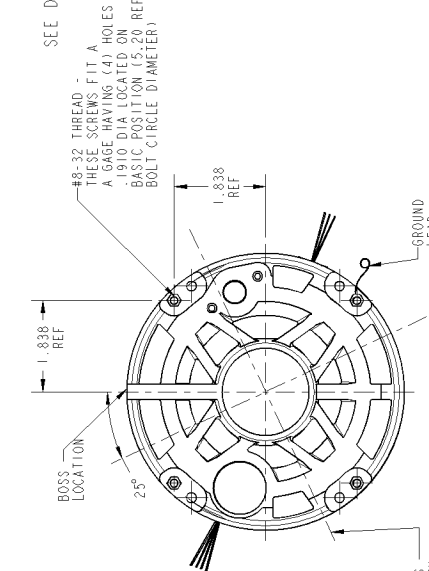
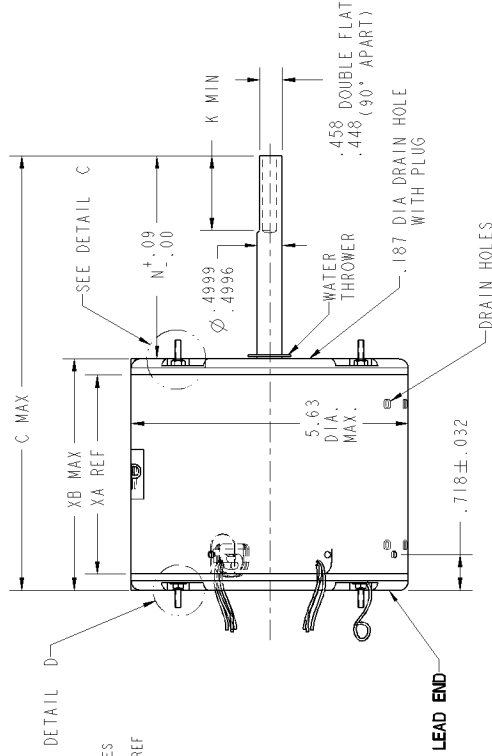
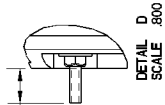
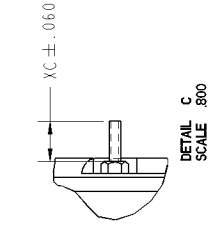
This document is the property of REGAL-BELOIT CORPORATION ("RBC") including its subsidiaries and related companies. All rights are reserved. This document is loaned to you for your use only and is not to be distributed, copied, or otherwise used without the express written consent of RBC, and the information shall be used by the recipient in strict confidence. This document may be subject to certain restrictions under U.S. export control laws and regulations.

VENTILATION SYSTEM

SHELL VENTS	CLOSED
ENDSHIELD (OPP. LEAD END)	CLOSED
ENDSHIELD (LEAD END)	OPEN

REVISIONS

REV.	DESCRIPTION	DATE	APPROVED
1	UPDATED PER IS09-1436	4/15/09	GSHONK

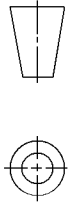


(4) .1347 .130 DIA HOLES 90° APART WITH 1/4-8-18 THRD FRM SCRS

NOTE:

1. DIMENSIONS SHOWN ARE NOMINAL UNLESS OTHERWISE SPECIFIED.

THIRD ANGLE PROJECTION



C	N	K	XN	YK	LM	XA	XB
11.06	6.50	5.50	N/A	N/A	N/A	3.82	4.48
.75	.63						

NAMEPLATE DATA

MODEL	5KCP39HFBB22S
CUST P/N	MODEL D792
HP	1/4
RPM	825
VOLTS	208-230
PH	60
SPEEDS	1
AMPS	1.80
CAP RED-1	5.00uf @ 370Vdc Hs
CAP RED-2	N/R
CONL DRW	NP243327691
ROTATION	CCW/CW (VIEWED FROM LE)

SID	CONNECTION	COLOR	EXIT TYPE	EXIT LOC (RECORD)	GAGE	MATERIAL	WALL THK	LENGTH	TERMINATION
1	COMMON LEAD	WHITE	4-5 LD BUSHING	3:40	18	THERMOPLASTIC	4/64	27.00	.50 BWS
2	REV LEAD	YELLOW	2-3 LD BUSHING	9:40	18	EPDM	2/64	4.00	.25 MALE FOSC
3	CAPACITOR LEAD	BROWN	4-5 LD BUSHING	3:40	18	THERMOPLASTIC	4/64	27.00	.25 FOC
4	REV LEAD	ORANGE	2-3 LD BUSHING	9:40	18	EPDM	2/64	4.00	.25 MALE FOSC
5	CAPACITOR LEAD	BROWN	4-5 LD BUSHING	3:40	18	THERMOPLASTIC	4/64	27.00	.25 FOC
6	REV LEAD	BROWN	2-3 LD BUSHING	9:40	18	EPDM	2/64	4.00	.25 FOSC, LD INS FORCE
7	HIGH SPEED LEAD	BLACK	4-5 LD BUSHING	3:40	18	THERMOPLASTIC	4/64	27.00	.50 BWS
8	REV LEAD	PURPLE	2-3 LD BUSHING	9:40	18	EPDM	2/64	4.00	.25 FOSC, LD INS FORCE
9	GROUND	GRN-YEL	CLAMP/SCREW	4:30	18	THERMOPLASTIC	2/64	12.00	#10 SERP CABLET

REGAL-BELOIT CORPORATION
FORTWAYNE, INDIANA

MOTOR OUTLINE
(CUSTOMER NAME : FASCO)

SIZE DRAWING **5KCP39HFBB22S** REV **1**

SCALE: NO ISSUED: 4/15/09 SHEET 1 of 1