

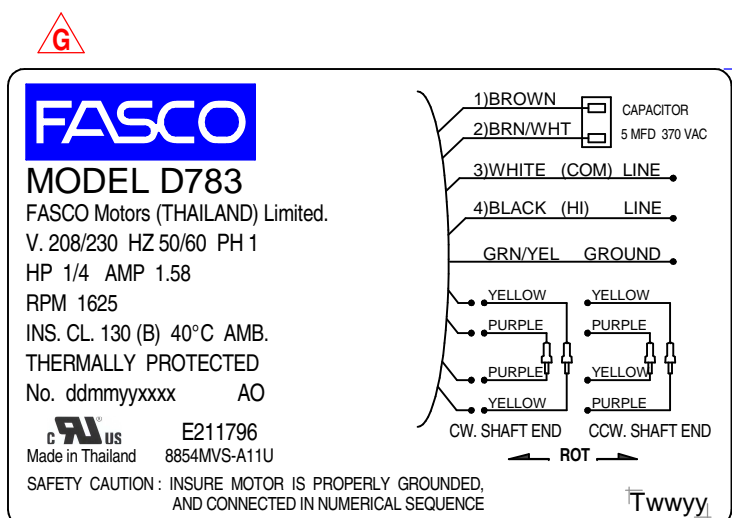
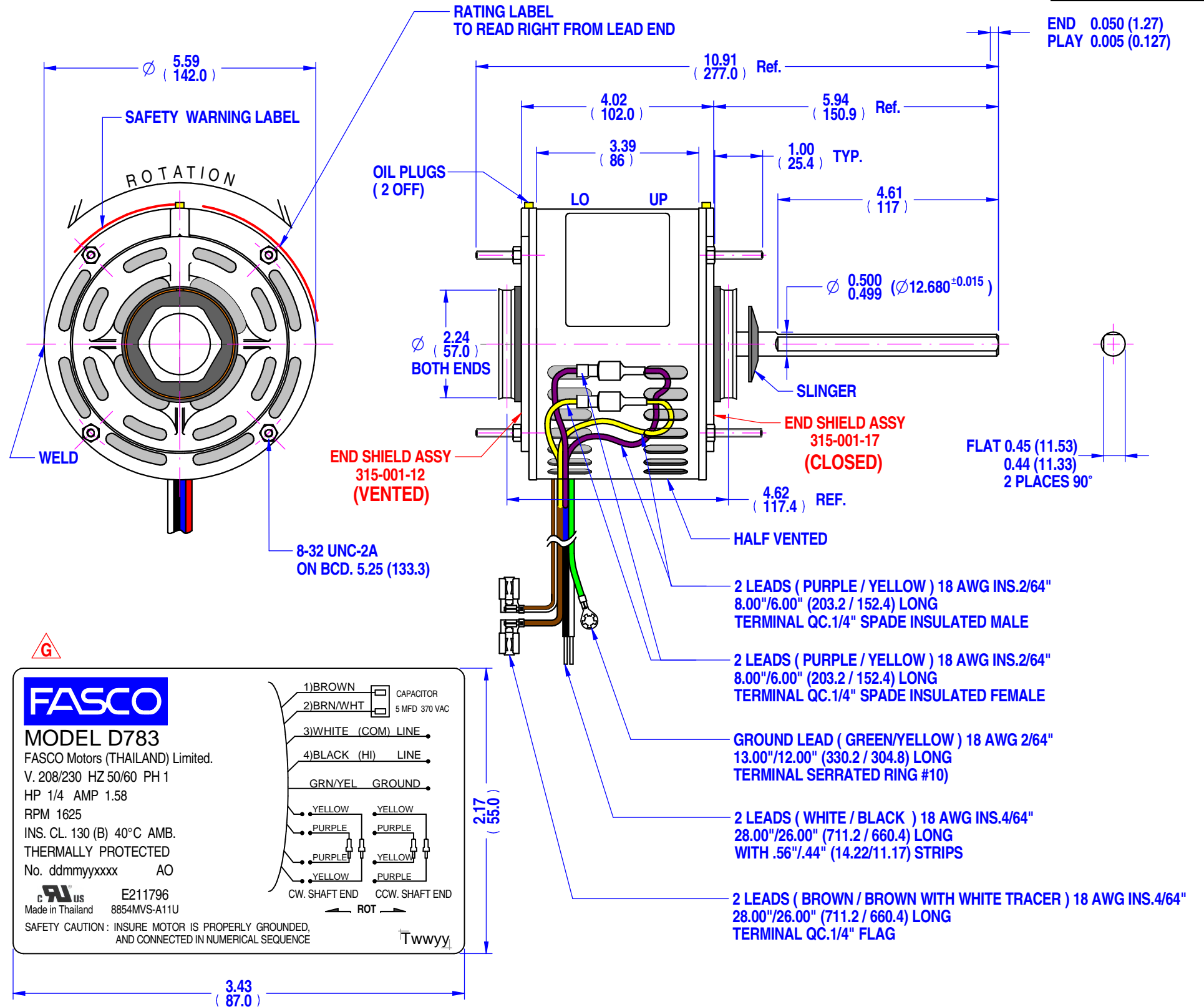
**MOTOR SPECIFICATION**

**8854MVS-A11U**

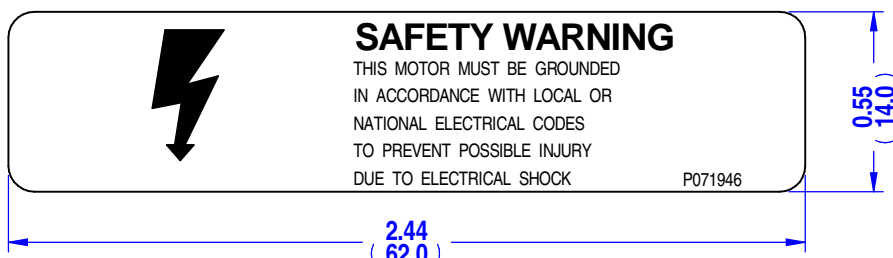
Q.R. No.	Y005161	CUSTOMER NO.	D783
CUSTOMER	FASCO USA		
MOTOR RATING	VOLTS	208/230	Hz 50/60 Ph 1 Duty S1 AOM
	RPM.	1625	1.58 $\Delta$ AMPS
	NOM. OUTPUT	234 WATTS (1/4 HP)	
ROTATION	REVERSIBLE		
CAPACITOR	START	-----	$\mu$ F/V RUN 5/--- $\mu$ F/V
ENCLOSURE	DRIPPROOF		
MOTOR TYPE	PSC	INSULATION CLASS	130 (B)
THERMAL PROTECTION	AUTO RESET OVERLOAD		
APPLICATION	FAN AXIAL - SHAFT HORIZONTAL		
BEARING D.E.	SLEEVE	LUBRICATION	PERMAWICK OPERA.TEMP -15°~90°C
BEARING N.D.E.	SLEEVE		
SUPPLY LEAD	AS SHOWN		
EARTH PROVISION	SUPPLIED		
BASIC BUILD SPECIFICATION	305-881-24	PAINT/ COLOUR	PC GREY PLAIN E/SHIELDS
PERFORMANCE SPECIFICATION	SP88029-01		
CONNECTION DIAGRAM	AS SHOWN	RATING LABEL	AS SHOWN

**FINAL INSPECTED MOTORS MUST COMPLY WITH ELECTRIC MOTOR VIBRATION SPECIFICATION (ES049)**

THIRD ANGLE PROJECTION.



NOTE: DIMENSIONS SHOWN INCH (mm.)  
 STK - 32



**SPECIAL REQUIREMENTS:**

- CAPACITOR SUPPLIED BY CUSTOMER.
- DO NOT PACK MOTOR IN PLASTIC BAG.
- PUSH AND PULL SHAFT TO CENTRALIZE WASHER SLINGER.
- STAMP FDC PART NUMBER FDC-D783 ON THE BULK PACK.
- ADD SAFETY BOOK P/N 398-063-02 IN ALL INDIVIDUAL CARTON.

<b>UNLESS OTHERWISE SPECIFIED: DIMENSIONS ARE IN MM. TOLERANCES</b>		<b>MOTOR WEIGHT</b>	
DECIMALS	ANGULAR	5.4 kg.	
.X ± 1.0	± 30'	DRAWN	muntana 25/10/2013
.XX ± 0.1		CHECKED	Pipat 18/04/2018
THIS DRAWING REMAINS THE PROPERTY OF FASCO MOTORS AND MAY NOT BE USED, COPIED OR ISSUED WITHOUT WRITTEN PERMISSION FROM FASCO MOTORS		RELEASED	Suksakorn 18/04/2018
		SCALE	N.T.S.

**FASCO THAILAND**  
 29/7-8 MOO 3, BANGKRUAY - SAINOI Rd.,  
 BANGKRANG, MUANG NONTABURI DISTRICT,  
 NONTABURI 11000 THAILAND

FRAME	MOTOR	
STATUS	S029:8854V-234-MCX:FDC	
SHEET	DWG. NO.	REVISION
A3	8854MVS-A11U	G

MIC1804215  
 By: Muntana  
 Date: 18/04/2018  
 MIC G: change AMP on name plate and label packing from  
 Note: 1.50 to 1.58 Amp