

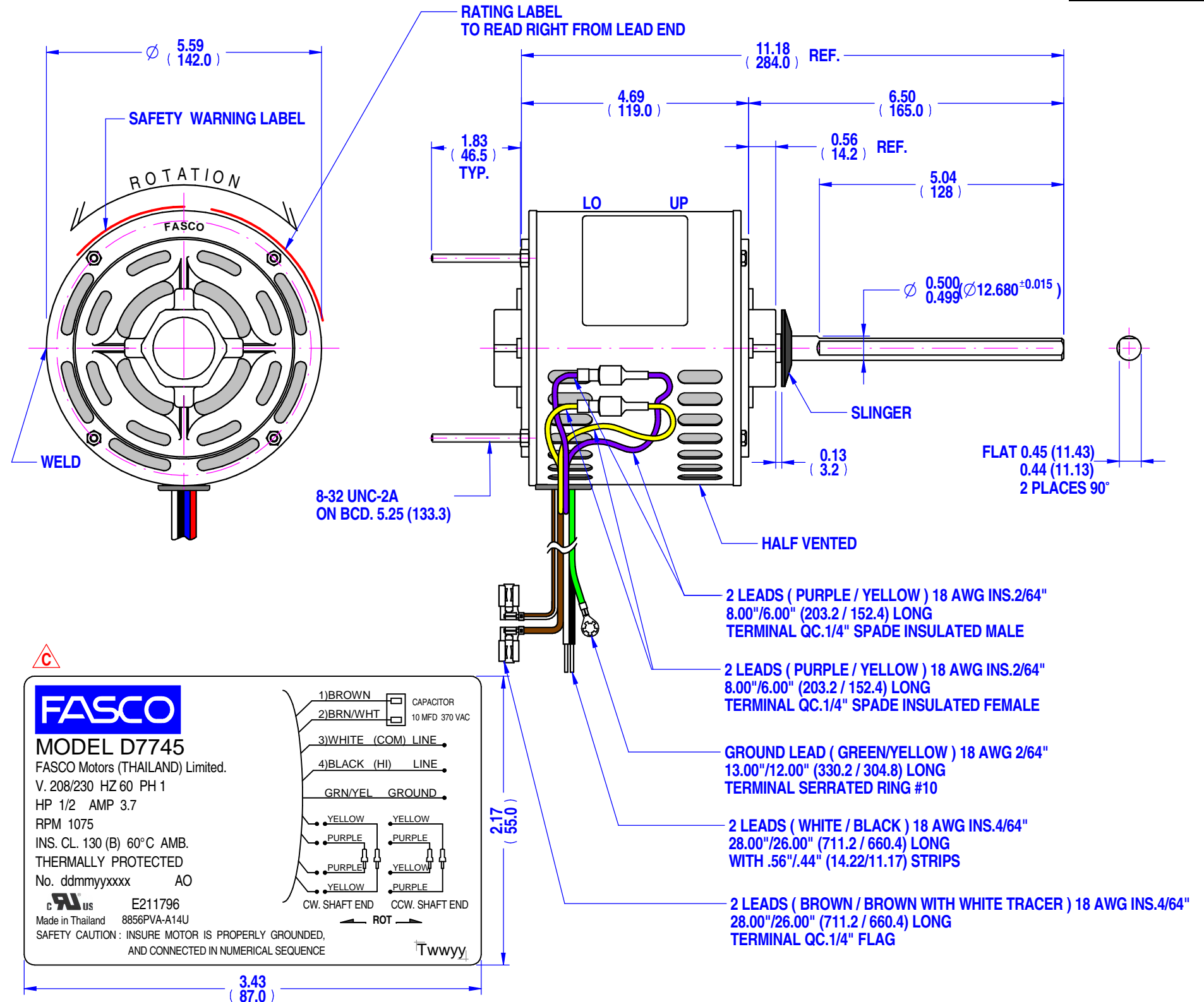
**MOTOR SPECIFICATION**

**8856PVA-A14U**

Q.R. No.	Y004430	CUSTOMER NO.	D7745					
CUSTOMER	FASCO USA							
MOTOR RATING	VOLTS	208/230	Hz	60	Ph	1	Duty	S1 AOM
	RPM.	1075		3.7		AMPS		
	NOM. OUTPUT	500 WATTS (1/2 HP)						
ROTATION	REVERSIBLE							
CAPACITOR	START	-----	μF/V	RUN	10/---	μF/V		
ENCLOSURE	DRIPPROOF							
MOTOR TYPE	PSC	INSULATION CLASS	130 (B)					
THERMAL PROTECTION	AUTO RESET OVERLOAD							
APPLICATION	FAN CONDENSING - SHAFT HORIZONTAL							
BEARING D.E.	6202 ZZ		LUBRICATION	LONG LIFE, WIDE RANGE				
BEARING N.D.E.	6202 ZZ							
SUPPLY LEAD	AS SHOWN							
EARTH PROVISION	SUPPLIED							
BASIC BUILD SPECIFICATION	305-881-12	PAINT/ COLOUR	PC GREY PLAIN E/SHIELDS					
PERFORMANCE SPECIFICATION	SP88014-01							
CONNECTION DIAGRAM	AS SHOWN	RATING LABEL	AS SHOWN					

**FINAL INSPECTED MOTORS MUST COMPLY WITH ELECTRIC MOTOR VIBRATION SPECIFICATION (ES049)**

THIRD ANGLE PROJECTION.



NOTE: DIMENSIONS SHOWN INCH (mm.)  
STK - 50

**SAFETY WARNING**

THIS MOTOR MUST BE GROUNDED IN ACCORDANCE WITH LOCAL OR NATIONAL ELECTRICAL CODES TO PREVENT POSSIBLE INJURY DUE TO ELECTRICAL SHOCK

P071946

2.44 (62.0)

0.55 (14.0)

**SPECIAL REQUIREMENTS:**

- 1)\_CAPACITOR SUPPLIED BY CUSTOMER.
- 2)\_DO NOT PACK MOTOR IN PLASTIC BAG.
- 3)\_STAMP FDC PART NUMBER FDC-D7745 ON THE BULK PACK.
- 4)\_ADD SAFETY BOOK P/N 398-063-02 IN ALL INDIVIDUAL CARTON.

**UNLESS OTHERWISE SPECIFIED: DIMENSIONS ARE IN MM. TOLERANCES**

DECIMALS	ANGULAR
.X ± 1.0	± 30'
.XX ± 0.1	

THIS DRAWING REMAINS THE PROPERTY OF FASCO MOTORS AND MAY NOT BE USED, COPIED OR ISSUED WITHOUT WRITTEN PERMISSION FROM FASCO MOTORS

MOTOR WEIGHT	7.2 kg.	
DRAWN	Pipat	13/06/2013
CHECKED	Pipat	24/08/2017
RELEASED	Sutthipant	24/08/2017
SCALE	N.T.S.	

**FASCO THAILAND**

29/7-8 MOO 3, BANGKRUAY - SAINOI Rd., BANGKRANG, MUANG NONTABURI DISTRICT, NONTABURI 11000 THAILAND

FRAME	MOTOR	
STATUS	R	
SHEET	B014:8856V-500-MCU:FDC	
DWG. NO.	8856PVA-A14U	REVISION
		C