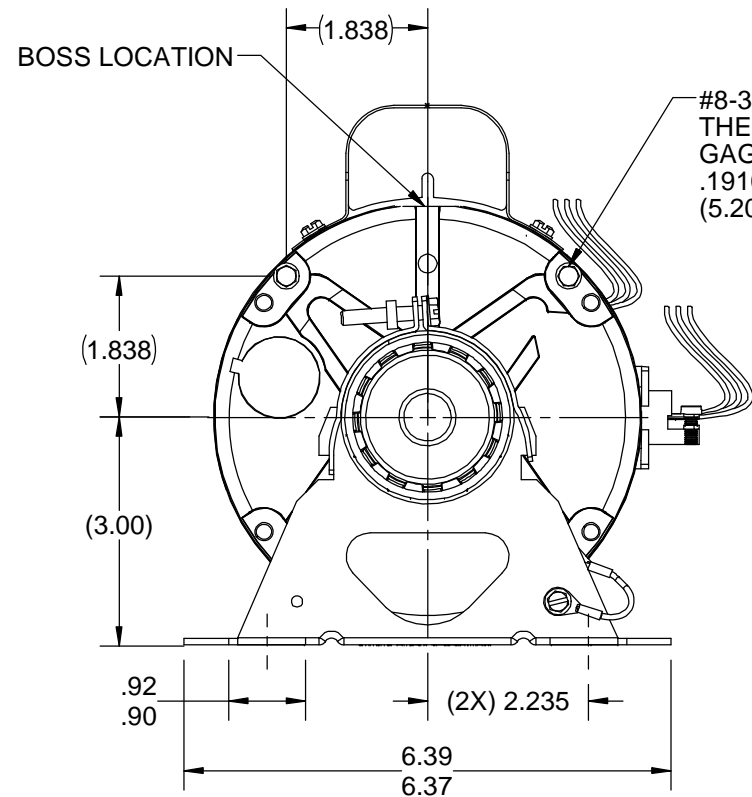
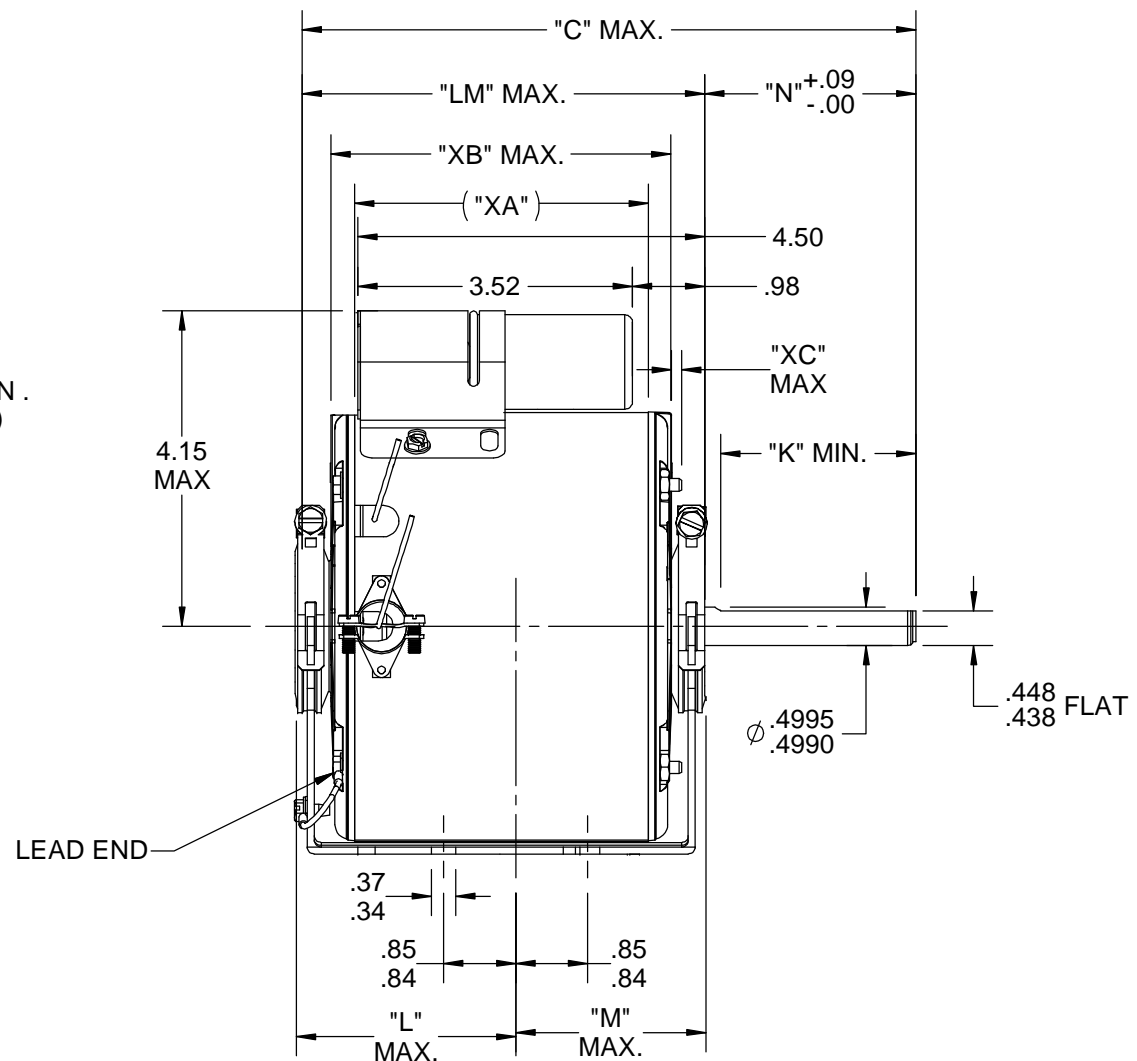


4				3		2				1	
S.NO	CONNECTION	COLOR	EXIT TYPE	EXIT LOC (VIEWING LE)	GAGE	MATERIAL	WALL THK.	LENGTH	TERMINATION	NAMEPLATE DATA	
1	COMMON LEAD	WHITE	BX CONNECTOR	3:00	18	THERMOPLASTIC	2/64	37.00	.50 BWS	MODEL	5KCP39GGWD64S
2	HIGH SPEED LEAD	BLACK	BX CONNECTOR	3:00	18	THERMOPLASTIC	2/64	37.00	.50 BWS	CUST. P/N	D736
3	CAPACITOR LEAD	BROWN	SHELL NOTCH	12:00	18	THERMOPLASTIC	2/64	3.00	.25 FQC	HP	1/6
4	CAPACITOR LEAD	BRN/WHT	SHELL NOTCH	12:00	18	THERMOPLASTIC	2/64	3.00	.25 FQC	RPM	1625
5	REV LEAD	PURPLE	SHELL NOTCH	2:00	18	THERMOPLASTIC	2/64	5.50	.25 ISQC LO INS FORCE	VOLTS	115
6	REV LEAD	BROWN	SHELL NOTCH	2:00	18	THERMOPLASTIC	2/64	5.50	.25 ISQC LO INS FORCE	HZ	60
7	REV LEAD	ORANGE	SHELL NOTCH	2:00	18	THERMOPLASTIC	2/64	5.50	.25 MALE ISQC	SPEEDS	1
8	REV LEAD	YELLOW	SHELL NOTCH	2:00	18	THERMOPLASTIC	2/64	5.50	.25 MALE ISQC	AMPS	2.10
9	GROUND LEAD	GRN-YEL	CLAMPSCREW	4:30	18	THERMOPLASTIC	2/64	4.00	#10 SERR EYELET	CAP. REQ'D-D1	5.0µfd/370 Volts
										CAP. REQ'D-D2	NP24X350357
										ROTATION	CCW (VIEWED FROM LE)



#8-32 THREAD. THESE SCREWS FIT A GAGE HAVING (4) HOLES OF Ø .1910 LOCATED ON BASIC POSITION. (5.20 REF BOLT CIRCLE DIAMETER)



NOTE:

- 1) DIMENSIONS SHOWN ARE NOMINAL UNLESS OTHERWISE SPECIFIED.
- 2) NAME PLATE LABEL LOCATION : 90° CENTER-READ FROM LE.

VENTILATION SYSTEM	
SHELL VENTS	CLOSED
ENDSHIELD (OPP.LEAD END)	CLOSED
ENDSHIELD (LEAD END)	CLOSED

DRAWING REVISION H	REVISION BY NV	REV DATE/© DATE 02/05/2020
ECO ECO-0180954	APPROVED BY A.NELSON	DATE 02/05/2020
ECO DESCRIPTION CHANGED CAPACITOR CLAMP TO 24A100610AA-P1		
<small>COPYRIGHT (PER REVISION DATE) REGAL BELOIT AMERICA, INC. ALL RIGHTS RESERVED. PROPRIETARY AND CONFIDENTIAL INFORMATION - THIS DOCUMENT IS THE PROPERTY OF REGAL BELOIT AMERICA, INC. ("OWNER") AND CONTAINS OWNER'S PROPRIETARY INFORMATION. ANY PERSON, CORPORATION OR OTHER FIRM RECEIVING IT IS DEEMED, BY RECEIVING IT, TO AGREE THAT IT, AND/OR ANY PART OF IT, SHALL NOT BE DISCLOSED TO ANY PERSON, CORPORATION OR OTHER ENTITY, DUPLICATED, AND/OR USED, EXCEPT AS EXPRESSLY APPROVED IN WRITING IN ADVANCE BY OWNER. THIS DOCUMENT SHALL BE RETURNED TO OWNER UPON REQUEST. IT MAY BE SUBJECT TO CERTAIN RESTRICTIONS UNDER APPLICABLE EXPORT CONTROL LAWS AND REGULATIONS.</small>		

PRIMARY DIMENSIONS ARE INCH
mm DIMENSIONS IN [BRACKETS]
ARE FOR REFERENCE ONLY

8.14	2.75	2.55	5.31	3.82	4.48	3.13	2.34	2.09	0.14
"C"	"N"	"K"	"LM"	"XA"	"XB"	"L"	"M"	"BA"	XC
DRAWN BY MVG			Regal Beloit America, Inc.						
DATE 07/16/2014			DESCRIPTION OUTLINE (CUSTOMER NAME : DEF PUR)						
APPROVED BY BN			MATERIAL						
DATE 07/16/2014			PROCESS/FINISH						
REFERENCE			SIZE B						
THIRD ANGLE PROJECTION			DRAWING NUMBER 5KCP39GGWD64S						
			SHEET 1 OF 1						