

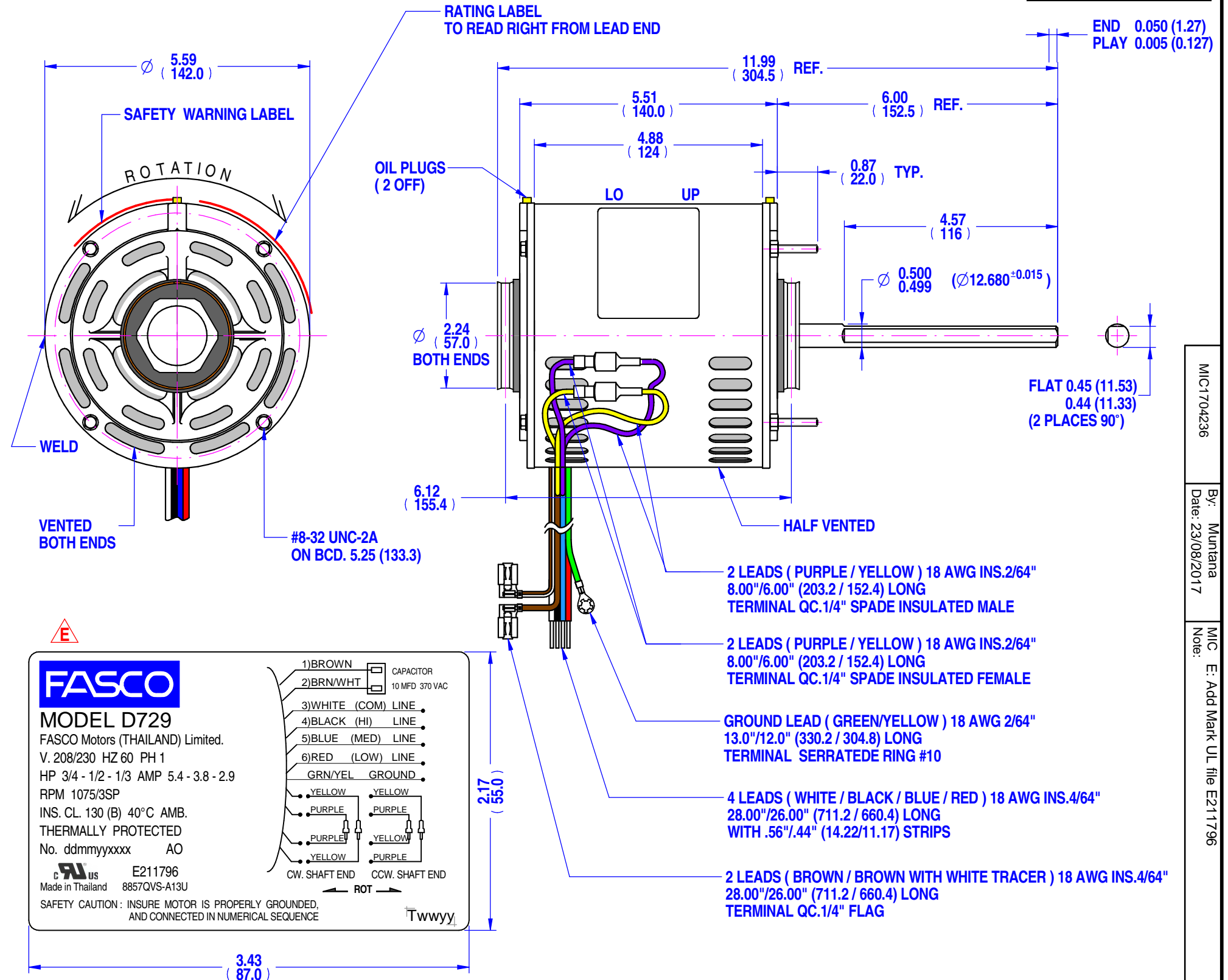
MOTOR SPECIFICATION

8857QVS-A13U

Q.R. No.	Y005174	CUSTOMER NO.	D729					
CUSTOMER	FASCO USA							
MOTOR RATING	VOLTS	208/230	Hz	60	Ph	1	Duty	S1 AOM
	RPM.	1075/3SP		5.4		AMPS		
	NOM. OUTPUT	707 WATTS (3/4 HP)						
ROTATION	REVERSIBLE							
CAPACITOR	START	-----	μF/V	RUN	10/---	μF/V		
ENCLOSURE	DRIPPROOF							
MOTOR TYPE	PSC	INSULATION CLASS	130 (B)					
THERMAL PROTECTION	AUTO RESET OVERLOAD							
APPLICATION	FAN AXIAL - SHAFT HORIZONTAL							
BEARING D.E.	SLEEVE		LUBRICATION	PERMAWICK OPERA.TEMP -15°~90°C				
BEARING N.D.E.	SLEEVE							
SUPPLY LEAD	AS SHOWN							
EARTH PROVISION	SUPPLIED							
BASIC BUILD SPECIFICATION	305-881-29	PAINT/ COLOUR	PC GREY PLAIN E/SHIELDS					
PERFORMANCE SPECIFICATION	SP88031-01							
CONNECTION DIAGRAM	AS SHOWN	RATING LABEL	AS SHOWN					

FINAL INSPECTED MOTORS MUST COMPLY WITH ELECTRIC MOTOR VIBRATION SPECIFICATION (ES049)

THIRD ANGLE PROJECTION.



FASCO
MODEL D729
 FASCO Motors (THAILAND) Limited.
 V. 208/230 HZ 60 PH 1
 HP 3/4 - 1/2 - 1/3 AMP 5.4 - 3.8 - 2.9
 RPM 1075/3SP
 INS. CL. 130 (B) 40°C AMB.
 THERMALLY PROTECTED
 No. ddmmyyxxxx AO
 E211796
 Made in Thailand 8857QVS-A13U
 SAFETY CAUTION: INSURE MOTOR IS PROPERLY GROUNDED, AND CONNECTED IN NUMERICAL SEQUENCE

NOTE: DIMENSIONS SHOWN INCH (mm.)
 STK - 62

SAFETY WARNING
 THIS MOTOR MUST BE GROUNDED IN ACCORDANCE WITH LOCAL OR NATIONAL ELECTRICAL CODES TO PREVENT POSSIBLE INJURY DUE TO ELECTRICAL SHOCK
 P071946

SPECIAL REQUIREMENTS:

- CAPACITOR SUPPLIED BY CUSTOMER.
- DO NOT PACK MOTOR IN PLASTIC BAG.
- PUSH AND PULL SHAFT TO CENTRALIZE WASHER SLINGER.
- STAMP FDC PART NUMBER FDC-D729 ON THE BULK PACK.
- ADD SAFETY BOOK P/N 398-063-02 IN ALL INDIVIDUAL CARTON.

UNLESS OTHERWISE SPECIFIED: DIMENSIONS ARE IN MM. TOLERANCES	MOTOR WEIGHT	7.9 kg.
DECIMALS .X ± 1.0 .XX ± 0.1	ANGULAR ± 30'	
DRAWN	muntana	24/10/2013
CHECKED	Pipat	24/08/2017
RELEASED	Sutthipant	24/08/2017
SCALE	N.T.S.	

FASCO THAILAND
 29/7-8 MOO 3, BANGKRUAY - SAINOI Rd., BANGKRANG, MUANG NONTABURI DISTRICT, NONTABURI 11000 THAILAND

FRAME	MOTOR
STATUS	R
SHEET	S031:8857V-707-MCX:FDC
DWG. NO.	8857QVS-A13U
REVISION	E

MIC1704236
 By: Muntana
 Date: 23/08/2017
 MIC E: Add Mark UL file E211796