

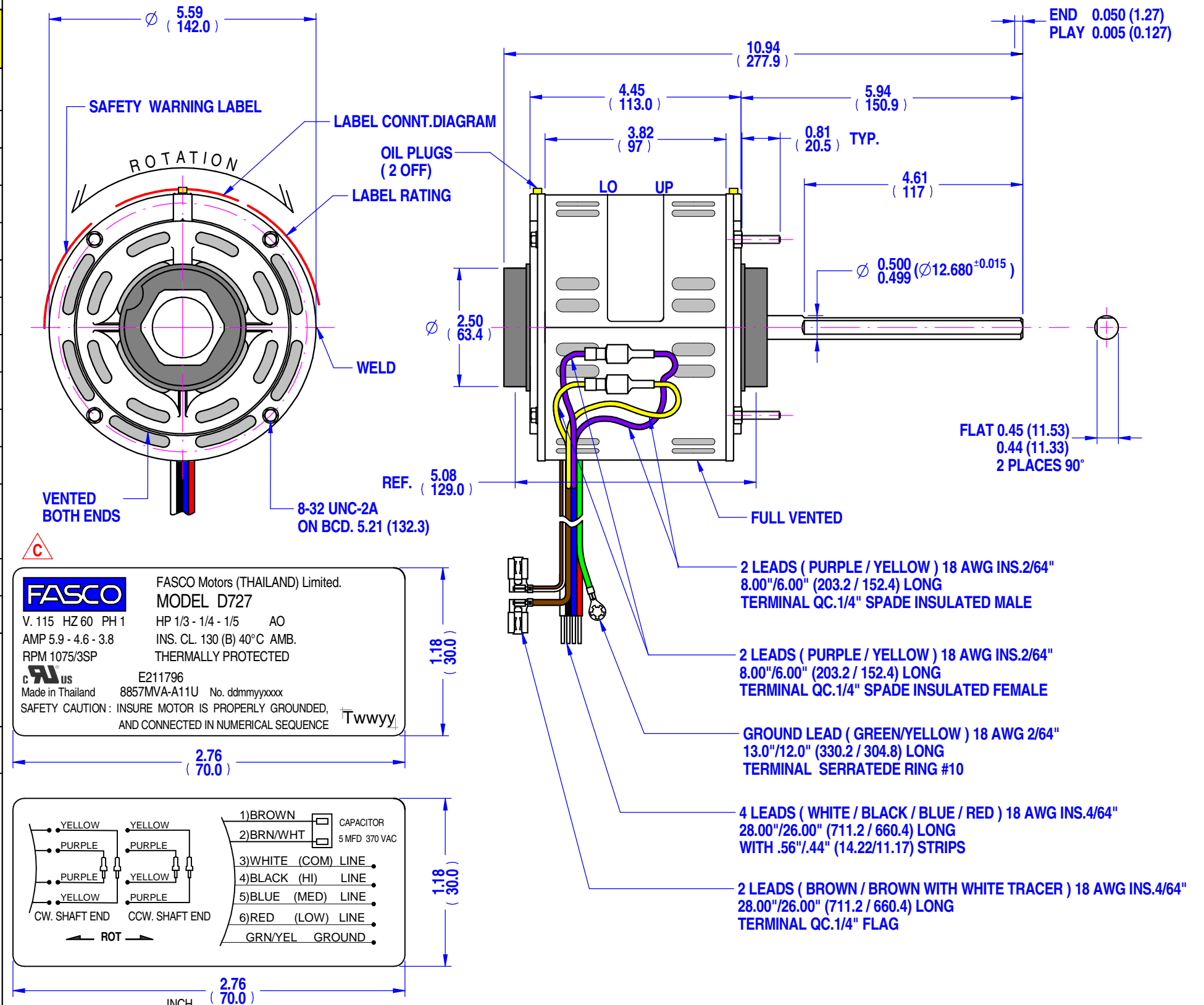
MOTOR SPECIFICATION

8857MVA-A11U

Q.R. No.	Y004431	CUSTOMER NO.	D727
CUSTOMER	FASCO USA		
MOTOR RATING	VOLTS	115	Hz 60 Ph 1 Duty S1 AOM
	RPM.	1075/3SP	5.9 AMPS
	NOM. OUTPUT	300 WATTS (1/3 HP)	
ROTATION	REVERSIBLE		
CAPACITOR	START	-----	μF/V RUN 5/--- μF/V
ENCLOSURE	VENTED		
MOTOR TYPE	PSC	INSULATION CLASS	130 (B)
THERMAL PROTECTION	AUTO RESET OVERLOAD		
APPLICATION	FAN AXIAL - SHAFT HORIZONTAL		
BEARING D.E.	SLEEVE	LUBRICATION	PERMAWICK OPERA.TEMP -15°~90°C
BEARING N.D.E.	SLEEVE		
SUPPLY LEAD	AS SHOWN		
EARTH PROVISION	SUPPLIED		
BASIC BUILD SPECIFICATION	305-881-02	PAINT/ COLOUR	PC GREY PLAIN E/SHIELDS
PERFORMANCE SPECIFICATION	SP88004-01		
CONNECTION DIAGRAM	AS SHOWN	RATING LABEL	AS SHOWN

FINAL INSPECTED MOTORS MUST COMPLY WITH ELECTRIC MOTOR VIBRATION SPECIFICATION (ES049)

THIRD ANGLE PROJECTION.



NOTE : DIMENSIONS SHOWN INCH (mm.)
STK - 38

SAFETY WARNING
 THIS MOTOR MUST BE GROUNDED IN ACCORDANCE WITH LOCAL OR NATIONAL ELECTRICAL CODES TO PREVENT POSSIBLE INJURY DUE TO ELECTRICAL SHOCK
 P071946

SPECIAL REQUIREMENTS:

- 1)_CAPACITOR SUPPLIED BY CUSTOMER.
- 2)_DO NOT PACK MOTOR IN PLASTIC BAG.
- 3)_PUSH AND PULL SHAFT TO CENTRALIZE WASHER SLINGER.
- 4)_STAMP FDC PART NUMBER FDC-D727 ON THE BULK PACK.
- 5)_ADD SAFETY BOOK P/N 398-063-02 IN ALL INDIVIDUAL CARTON.

UNLESS OTHERWISE SPECIFIED : DIMENSIONS ARE IN MM. TOLERANCES

DECIMALS	ANGULAR
.X ± 1.0	± 30'
.XX ± 0.1	

THIS DRAWING REMAINS THE PROPERTY OF FASCO MOTORS AND MAY NOT BE USED, COPIED OR ISSUED WITHOUT WRITTEN PERMISSION FROM FASCO MOTORS

MOTOR WEIGHT	5.6 kg.	
DRAWN	muntana	17/09/2011
CHECKED	Pipat	22/08/2017
RELEASED	Sutthipant	22/08/2017
SCALE	N.T.S.	

FASCO THAILAND
 29/7-8 MOO 3, BANGKRUAY - SAINOI Rd.,
 BANGKRANG, MUANG NONGTHABURI DISTRICT,
 NONGTHABURI 11000 THAILAND

FRAME	MOTOR	
STATUS	R	
SHEET	DWG. NO.	REVISION
A3	8857MVA-A11U	C