

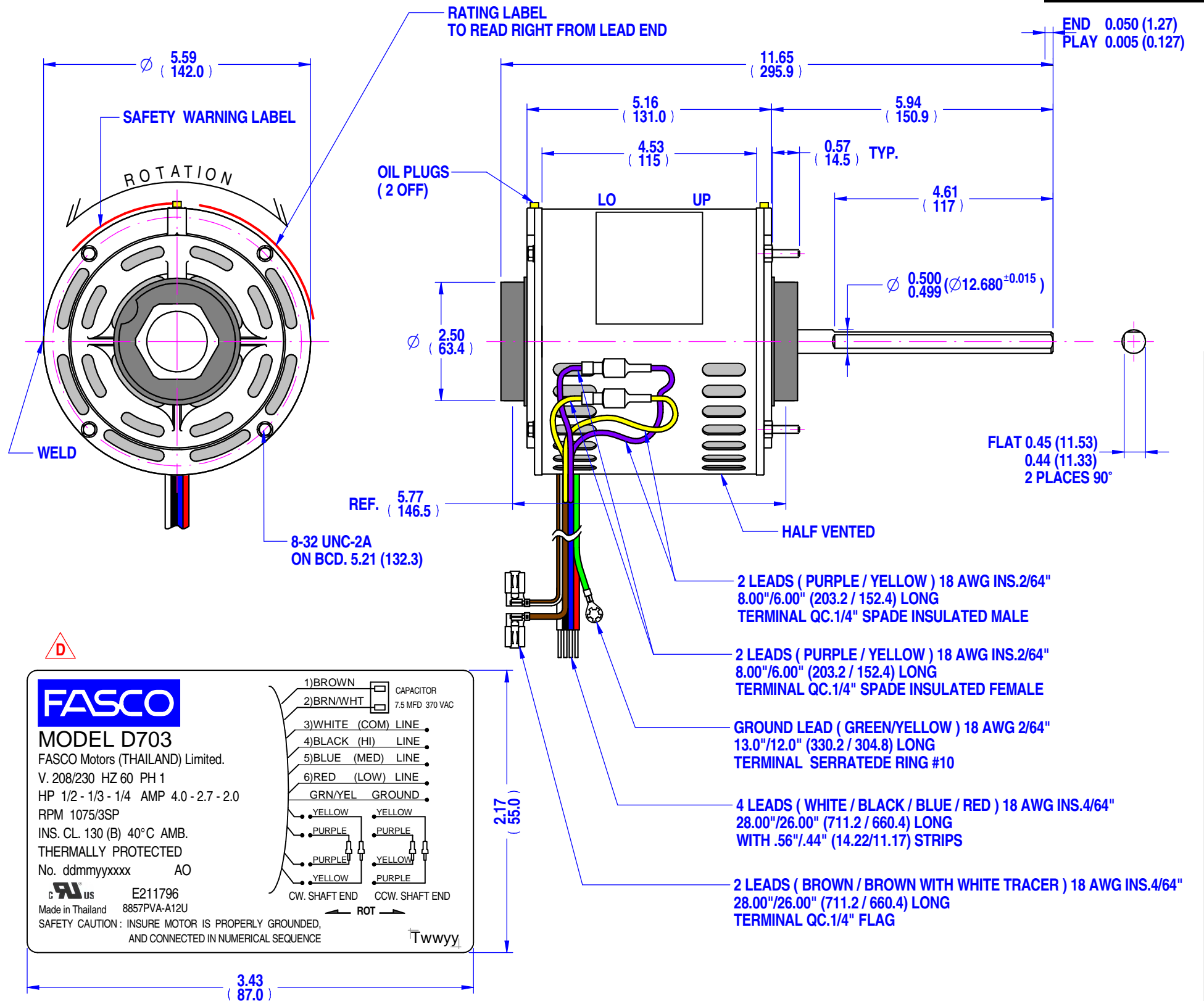
**MOTOR SPECIFICATION**

**8857PVA-A12U**

Q.R. No.	Y004436	CUSTOMER NO.	D703					
CUSTOMER	FASCO USA							
MOTOR RATING	VOLTS	208/230	Hz	60	Ph	1	Duty	S1 AOM
	RPM.	1075/3SP		4.0		AMPS		
	NOM. OUTPUT	537 WATTS (1/2 HP)						
ROTATION	REVERSIBLE							
CAPACITOR	START	-----	μF/V	RUN	7.5/---	μF/V		
ENCLOSURE	DRIPPROOF							
MOTOR TYPE	PSC	INSULATION CLASS	130 (B)					
THERMAL PROTECTION	AUTO RESET OVERLOAD							
APPLICATION	FAN AXIAL - SHAFT HORIZONTAL							
BEARING D.E.	SLEEVE		LUBRICATION	PERMAWICK OPERA.TEMP -15°~90° C				
BEARING N.D.E.	SLEEVE							
SUPPLY LEAD	AS SHOWN							
EARTH PROVISION	SUPPLIED							
BASIC BUILD SPECIFICATION	305-742-20	PAINT/ COLOUR	PC GREY PLAIN E/SHIELDS					
PERFORMANCE SPECIFICATION	SP88006-01	RATING LABEL	AS SHOWN					
CONNECTION DIAGRAM	AS SHOWN							

**FINAL INSPECTED MOTORS MUST COMPLY WITH ELECTRIC MOTOR VIBRATION SPECIFICATION (ES049)**

THIRD ANGLE PROJECTION.



**FASCO**  
**MODEL D703**  
 FASCO Motors (THAILAND) Limited.  
 V. 208/230 HZ 60 PH 1  
 HP 1/2 - 1/3 - 1/4 AMP 4.0 - 2.7 - 2.0  
 RPM 1075/3SP  
 INS. CL. 130 (B) 40°C AMB.  
 THERMALLY PROTECTED  
 No. ddmmyyxxxx AO  
 E211796  
 Made in Thailand 8857PVA-A12U  
 SAFETY CAUTION: INSURE MOTOR IS PROPERLY GROUNDED,  
 AND CONNECTED IN NUMERICAL SEQUENCE

NOTE: DIMENSIONS SHOWN INCH (mm.)  
 STK - 50

**SAFETY WARNING**  
 THIS MOTOR MUST BE GROUNDED IN ACCORDANCE WITH LOCAL OR NATIONAL ELECTRICAL CODES TO PREVENT POSSIBLE INJURY DUE TO ELECTRICAL SHOCK  
 P071946

**SPECIAL REQUIREMENTS:**

- 1)\_CAPACITOR SUPPLIED BY CUSTOMER.
- 2)\_DO NOT PACK MOTOR IN PLASTIC BAG.
- 3)\_PUSH AND PULL SHAFT TO CENTRALIZE WASHER SLINGER.
- 4)\_STAMP FDC PART NUMBER FDC D703 ON THE BULK PACK.
- 5)\_ADD SAFETY BOOK P/N 398-063-02 IN ALL INDIVIDUAL CARTON.

UNLESS OTHERWISE SPECIFIED :  
 DIMENSIONS ARE IN MM.  
 TOLERANCES

DECIMALS	ANGULAR
.X ± 1.0	± 30'
.XX ± 0.1	

THIS DRAWING REMAINS THE PROPERTY OF FASCO MOTORS AND MAY NOT BE USED, COPIED OR ISSUED WITHOUT WRITTEN PERMISSION FROM FASCO MOTORS

MOTOR WEIGHT	7.6 kg.	
DRAWN	muntana	16/09/2011
CHECKED	Pipat	24/08/2017
RELEASED	Sutthipant	24/08/2017
SCALE	N.T.S.	

**FASCO THAILAND**  
 29/7-8 MOO 3, BANGKRUAY - SAINOI Rd.,  
 BANGKRANG, MUANG NONTABURI DISTRICT,  
 NONTABURI 11000 THAILAND

FRAME	MOTOR	
STATUS	R	
SHEET	B006:8857V-537-MCC:FDC	
DWG. NO.	8857PVA-A12U	REVISION
A3		D