

NOTES:

1. THRU AIR SPACING BETWEEN WIRE AND METAL .10 MIN.
2. TIE BOLT TORQUE TOLERANCE 10 - 15 IN. LBS.
3. FOR WASHER SET-UP, SEE CHART C600 0279, DETAIL "H".
4. ROTOR FREENESS TO BE WITHIN 1 OZ. IN. TORQUE.
5. SALES TO SPECIFY ON P.O. WHICH PACK TO USE.

ECO	REV.	DATE	SPEC/CHECK
632141	14	12-9-03	MKR/MKR
639354	15	04-02-09	GAE/GAE
C438425	16	3-9-10	SED/BGP

A. SEE PACKAGING MANUAL PAGE 2 FOR PACKAGING PROCEDURES.

1 MOTOR/CARTON;
32 MOTORS/LAYER;
6 LAYERS/PALLET;
192 MOTORS/PALLET.

B. SEE DRAWING 8785 6079 SH. 1 FOR PALLET LAYOUT.

C. CENTER LABEL, 6119 0858, ON END OF CARTON.

D. PLACE PAMPHLET, 6122 4579, IN CARTON WITH MOTOR.

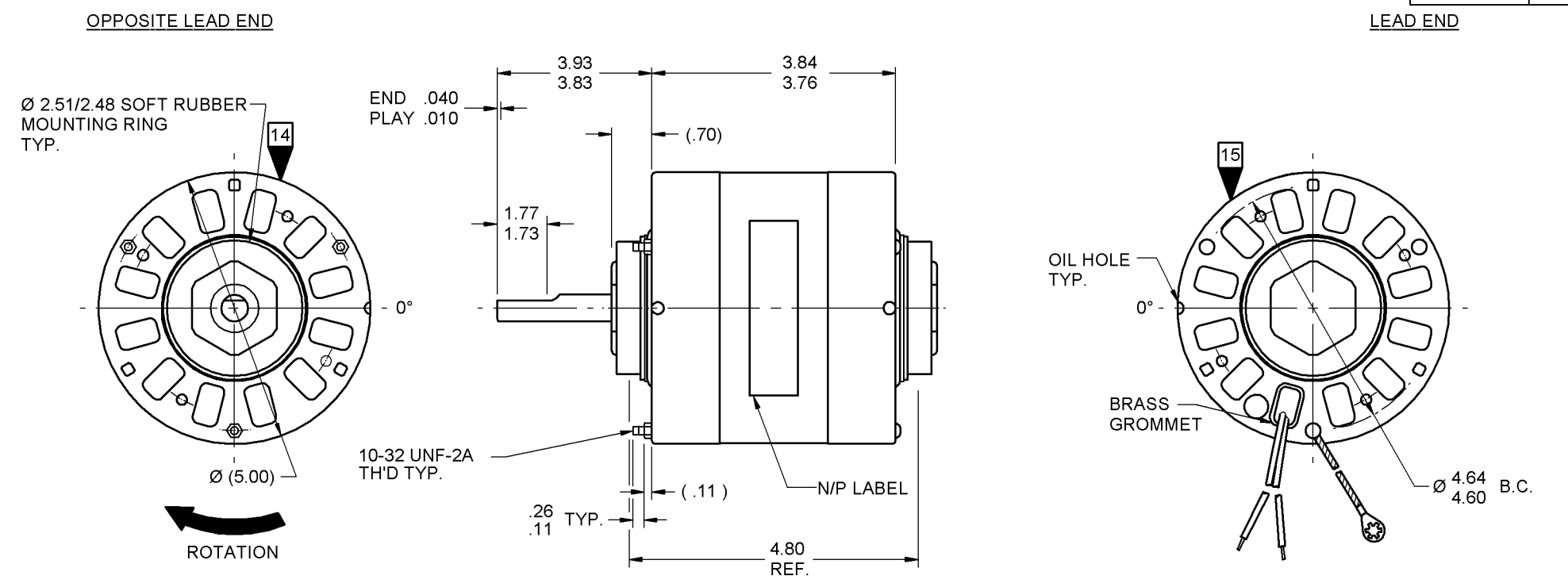
71xx xxxxM

71xx xxxxC

PRODUCTION TEST AT IDLE 230 VOLTS 60 HZ		MOTOR SPEED	PERFORMANCE TEST 230 VOLTS 60 HZ 1 PH 1/8 HP										
AMP	WATT		IDLE			LOADED				LOCKED			BREAK
			RPM	AMP	WATT	OZ/IN	RPM	AMP	WATT	OZ/IN	AMP	WATT	OZ/IN
1.87 — 1.53	210.1 — 171.9	HIGH	1178	1.7	191	120	1050	2.0	276	50	2.6	342	134

HI-POT TEST 2000 VOLTS
MAX LEAKAGE CURRENT 5 mA

7151 0182 MA



LEAD DATA: 18 GA. 4/64" INS. 105°C. SPT-3, 2 COND. PARALLEL BLACK 26.00"/24.00" LONG WITH A SPLIT LENGTH 1.75"/1.25" LONG WITH .56"/.44" STRIPS.

GROUND DATA: 18 GA. 2/64" INS. 105° C THERMO. GRN/YEL 7.00"/6.00" LONG WITH A # 10 SERRATED RING TERMINAL.

0046-4072 0046-4282

FASCO Motor Division

Assembled in Mexico
No. 71510182 TYPE U51 AO PH 1

230 V 50/60 Hz
2.1 A 1050 RPM 1/8 HP

Model D656
Thermally Protected

SAFETY WARNING
This Motor Must Be Grounded in Accordance With Local Or National Electrical Codes To Prevent Possible Injury Due To Electrical Shock

61299553

LOCATE ϕ OF NAMEPLATE ON ϕ OF STATOR TO READ RIGHT FROM LEAD END OF MOTOR CENTER AT 0°.

SPECIAL INSTRUCTIONS: SHAFT IS BONDERIZED. PAMPHLET PACKED WITH MOTOR.

MOTORS PACKED MAX. PER SKID: ___ PALLET PACK, 192 CARTON PACK.

CUSTOMER: FASCO DISTRIBUTING CO.

PART NUMBER: D656

APPLICATION COUNTER SALES
FINISH COLOR: GRAY
MOTOR WEIGHT: LBS.
ENVIRONMENT: DRY
INSULATION CLASS: A

MOTOR TYPE
SHADED POLE

MOTOR NUMBER
7151 0182
M

REV.
16

B	LA	FR	A	S	C	E	B	A
00	51	11	V	06	DP	5	7	0