

NOTES:

1. THRU AIR SPACING BETWEEN WIRE AND METAL .094 MIN.
2. TIE BOLT TORQUE TOLERANCE 7 - 10 IN. LBS.
3. ROTOR FREENESS TO BE WITHIN 1 OZ. IN.
4. FOR WASHER SET-UP, SEE CHART C600 0279, DETAIL "H".
5. MAXIMUM 0.1 Ω RESISTANCE BETWEEN GROUND TERMINAL AND MOTOR FRAME.
6. SALES TO SPECIFY ON P.O. WHICH PACK TO USE.

ECO	REV.	DATE	SPEC/CHECK
638768	22	10-31-08	MKR/MKR
640637	23	10-10-09	GAE/GAE
623079	20	5-3-99	JAK/RWS
631422	21	7-15-03	BJP/RWS

A. SEE PACKAGING MANUAL PAGE 2 FOR PACKAGING PROCEDURE.

1 MOTOR/CARTON;
14 MOTORS/LAYER;
7 LAYERS/PALLET;
98 MOTORS/PALLET.

B. SEE DRAWING 8785 6079 SH. 4 FOR PALLET LAYOUT.

C. CENTER LABEL, 6119 0851, ON END OF CARTON.

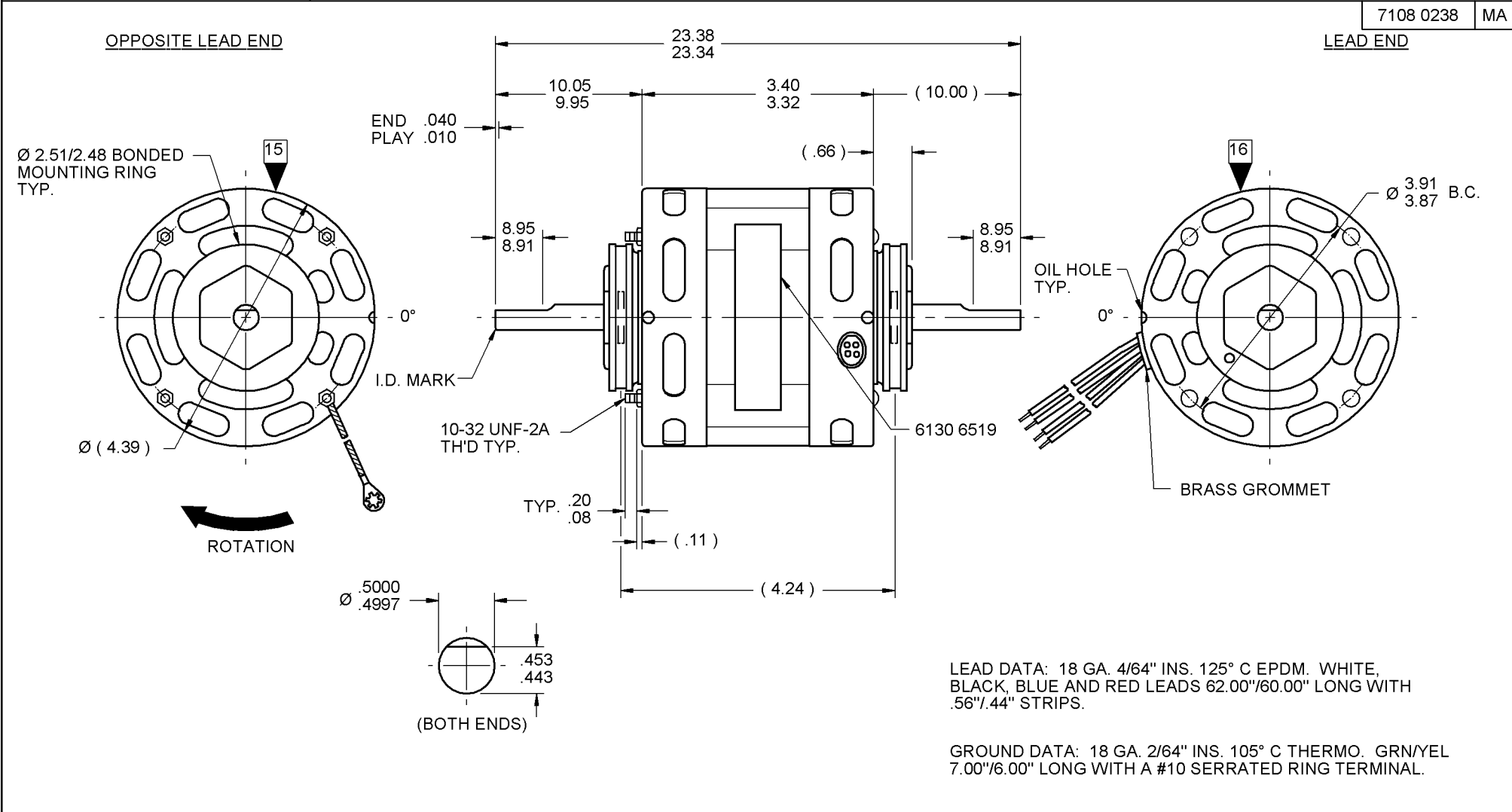
D. PLACE PAMPHLET, 6122 4579, IN CARTON WITH MOTOR.



PRODUCTION TEST AT IDLE 230 VOLTS 60 HZ		MOTOR SPEED	PERFORMANCE TEST 230 VOLTS 60/50 HZ 1 PH 1/10 HP										
AMP	WATT		IDLE			LOADED				LOCKED			BREAK
			RPM	AMP	WATT	OZ/IN	RPM	AMP	WATT	OZ/IN	AMP	WATT	OZ/IN
1.54 — 1.26	178.2 — 145.8	HIGH 60 HZ	1753	1.4	162	63	1550	1.7	238	27	2.4	318	77
1.10 — .90	123.2 — 100.8	MED. 60 HZ	1744	1.0	112	43	1550	1.2	164	24	1.6	211	50
.77 — .63	95.7 — 78.3	LOW 60 HZ	1730	.7	87	30	1550	.9	122	14	1.2	152	31
		HIGH 50 HZ	1445	1.9	195	83	1250	2.1	286	40	2.9	406	96
		MED. 50 HZ	1445	1.2	128	60	1250	1.4	193	32	1.9	262	70
		LOW 50 HZ	1441	.8	96	46	1250	1.0	143	28	1.4	188	50

HI-POT TEST 2000 VOLTS
MAX LEAKAGE CURRENT 5 mA

MOTORS MUST START WITH 180 VOLTS APPLIED TO LOWEST SPEED.



7108 0238 = MADE IN U.S.A.
7108 0238M = ASSEMBLED IN MEXICO

FASCO FASCO INDUSTRIES, INC. MOTOR DIVISION

MODEL **D635**

V. 230 HZ 50/60 PH 1 ROT

HP 1/10-1/20-1/35 AO AMP 1.8-1.3-1.0

NO. 7108-0238 RPM 1550(3 SPD) TYPE U8B1

INS CL B 40° C AMB.

SAFETY WARNING
THIS MOTOR MUST BE GROUNDED IN ACCORDANCE WITH LOCAL OR NATIONAL ELECTRICAL CODES TO PREVENT POSSIBLE INJURY DUE TO ELECTRICAL SHOCK

DATE/BAR CODE AREA PER 8882 6003

6130 6519, M REV. 8

SPECIAL INSTRUCTIONS: SHAFT IS BONDERIZED. FLATS TO BE PARALLEL WITHIN ±20°. PAMPHLET PACKED WITH MOTOR.

MOTORS PACKED MAX. PER SKID: PALLET PACK, 98 CARTON PACK.	
CUSTOMER: FASCO DISTRIBUTING CO.	PROPRIETARY: DO NOT DUPLICATE OR DISCLOSE TO THIRD PARTIES WITHOUT WRITTEN PERMISSION OF FASCO IND. INC., ELDON MO.
PART NUMBER: D635	FASCO INDUSTRIES, INC. MOTOR DIVISION ELDON PLANT
APPLICATION: DIST. SALES	MOTOR TYPE
FINISH COLOR: GRAY	SHADED POLE
MOTOR WEIGHT: 7.20 LBS.	MOTOR NUMBER
ENVIRONMENT: DRY	REV.
INSULATION CLASS: B	

LOCATE C OF NAMEPLATE ON C OF STATOR TO READ RIGHT FROM LEAD END OF MOTOR CENTER AT 0°.

SIZE 3.50 X 1.00

If Printed, this is an Uncontrolled Document