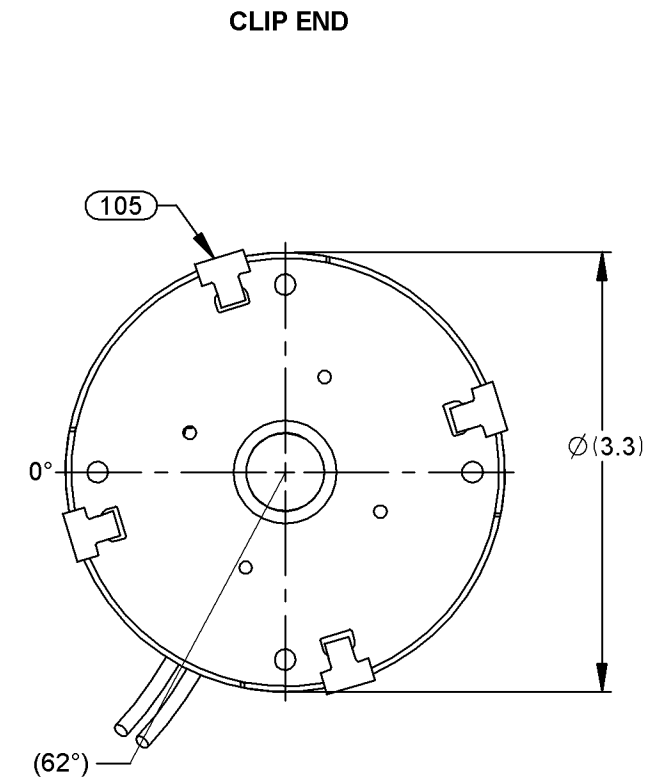
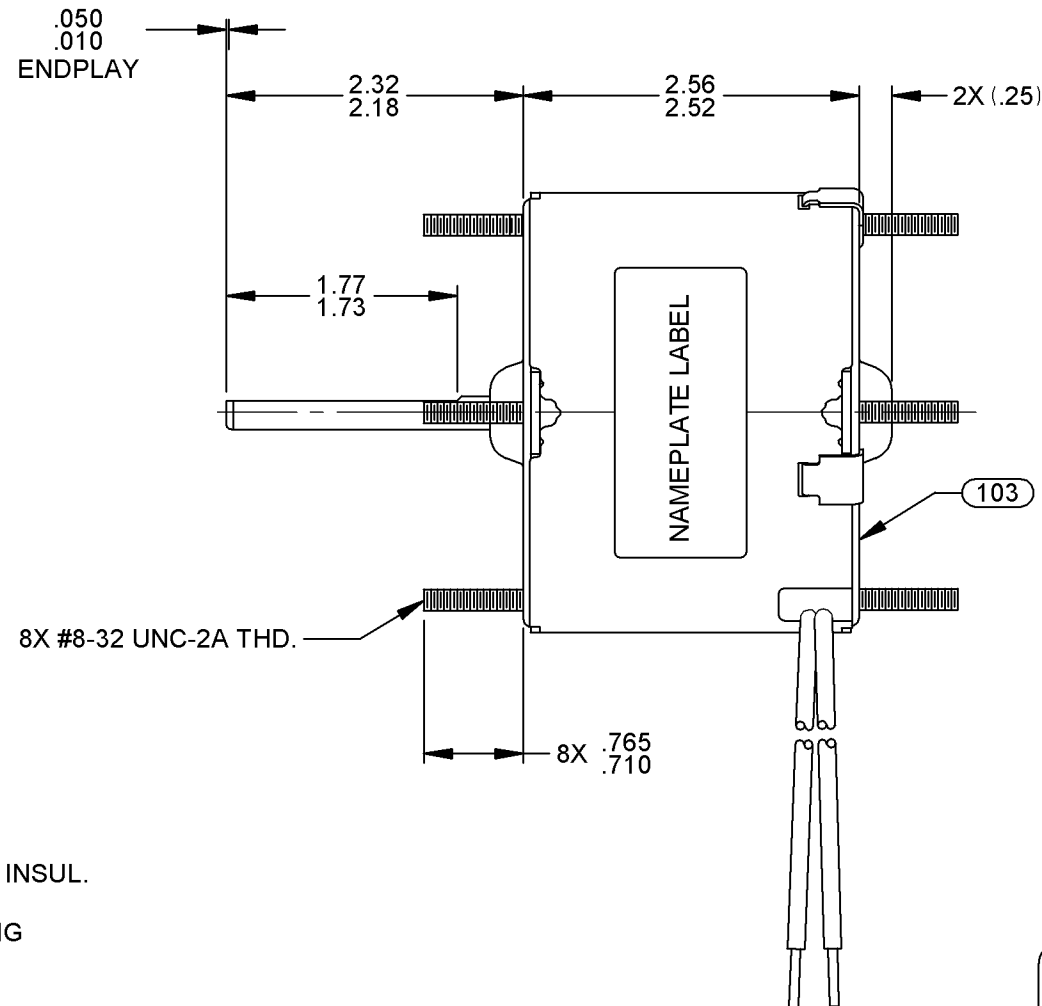
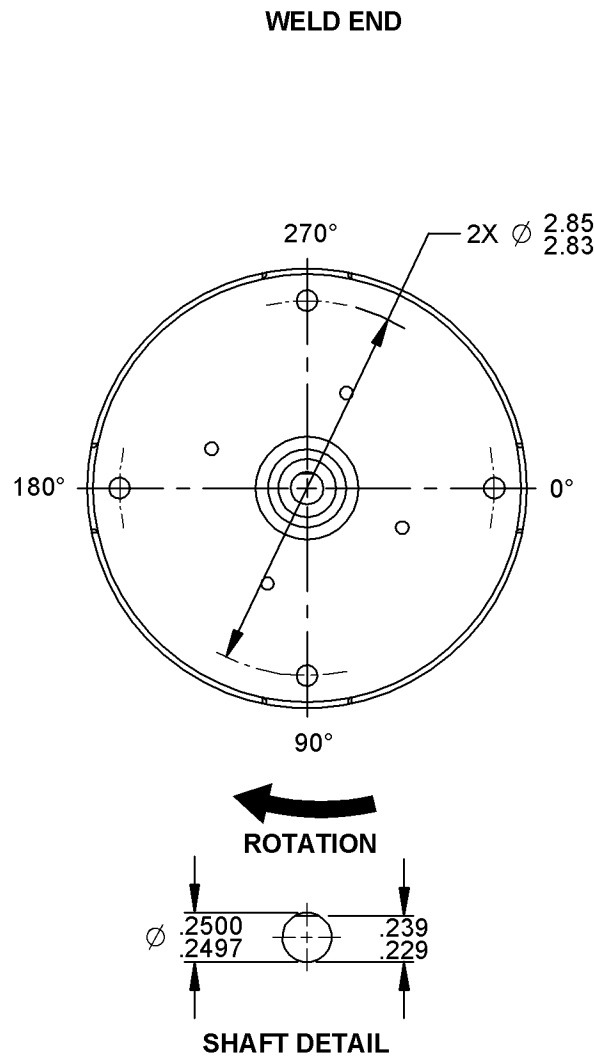


19	REVISED N/P FORMAT & UPDATED STANDARDS PLA 01/31/08	20	UPDATE NAMEPLATE, REMOVE BARCODE & UPDATE TO CURRENT STANDARDS. KSA 10/13/09	21	ADDED CARTON LABEL NOTES 4003596 MLM 10/31/11	STANDARD TOLERANCES: ANGULAR +/- 1 DEGREE 2 PLACE DECIMAL +/- .01 3 PLACE DECIMAL +/- .005
----	--	----	---	----	---	---



LEAD MATERIAL
18 GA. 125° C 4/64 INSUL.
EPDM, (2) BLACK
14.00/12.00 IN. LONG
.68/.56 IN. STRIP

NOTES:

1. PACK 270 MOTORS MAX. PER PALLET
2. NO PACKAGING TAPE OVER CARTON LABEL.

0046-4072

0046-4282

FASCO	Fasco Industries, Inc. Motor Division	SAFETY WARNING
Assembled in Mexico	TYPE U63B1 T.P. TEAO	<p>This Motor Must Be Grounded in Accordance With Local Or National Electrical Codes To Prevent Possible Injury Due To Electrical Shock</p>
No. 71633508	60/50 Hz Class B	
230 V	1500/1250 RPM	
0.4 A	1/50 HP	
Model D624	LR6319	
Max Amb: 40° C		

61299553

FRONT SHAFT POSITION	* TYPICAL PERFORMANCE AT 230 VOLTS 50/60 Hz.											CUSTOMER: FASCO DIST.	FASCO FASCO MOTORS GROUP AC MOTOR/BLOWER DIVISION		
HORIZONTAL 	MOTOR SPEED	IDLE			LOADED			LOCKED			BREAK	PART NUMBER: D624		CONFIDENTIAL: DO NOT DUPLICATE OR DISCLOSE TO THIRD PARTIES WITHOUT WRITTEN PERMISSION OF FASCO MOTORS GROUP, AC MOTOR/BLOWER DIVISION.	
	60 HZ	R.P.M.	AMP.	WATT	IN.OZ.	R.P.M.	AMP.	WATT	IN.OZ.	AMP.	WATT	IN.OZ.	APPLICATION: COUNTER SALES		MOTOR TYPE
CUSTOMER APPROVAL:	50 HZ	1749	.25	34	11.5	1500	.31	47	6.0	.42	60	14.0	MOTOR WEIGHT: 2.53 LBS.	SHADED POLE	7163 3508
SIGNED:													ENVIRONMENT: DRY	REV. 21	
DATE:													FINISH COLOR: BLACK	B	LA
													DRAWN BY: V. LEONARD	FR	A
													DATE DRAWN: 8-19-2004	S	C
														E	B
														A	0