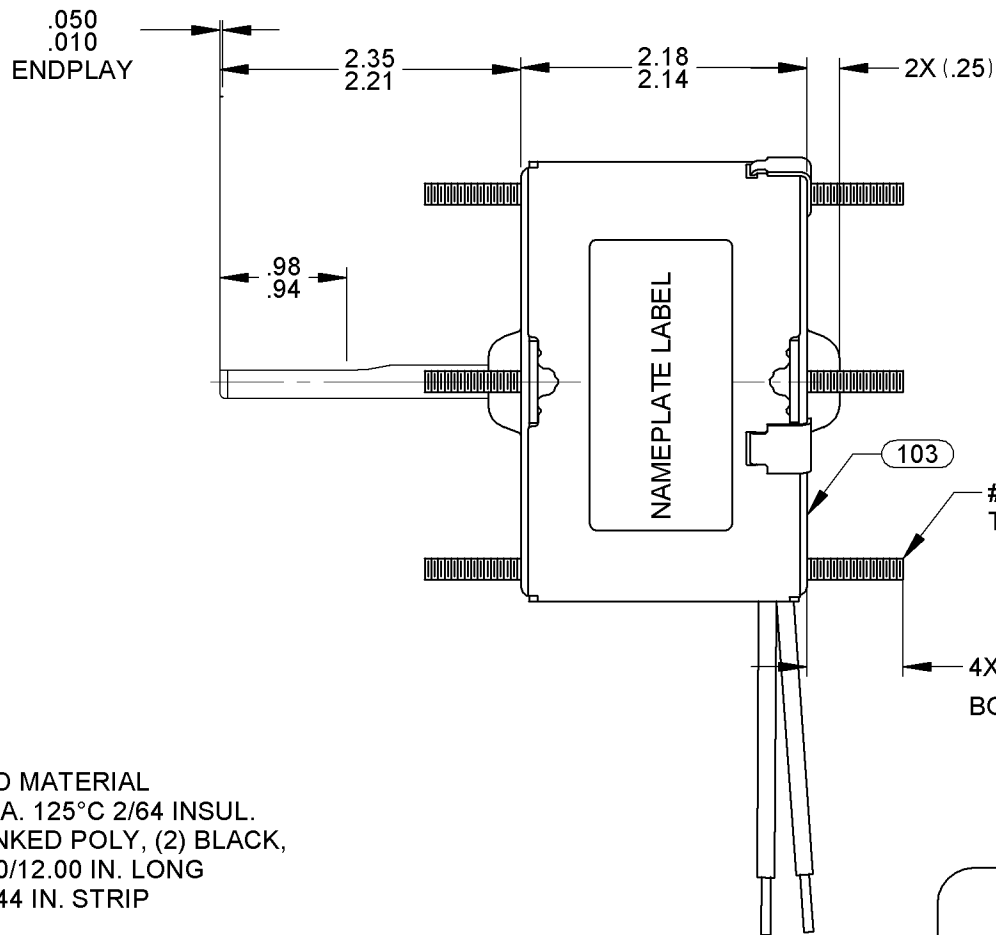
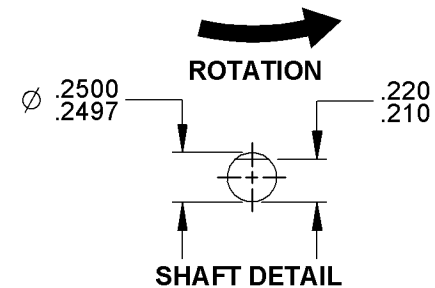
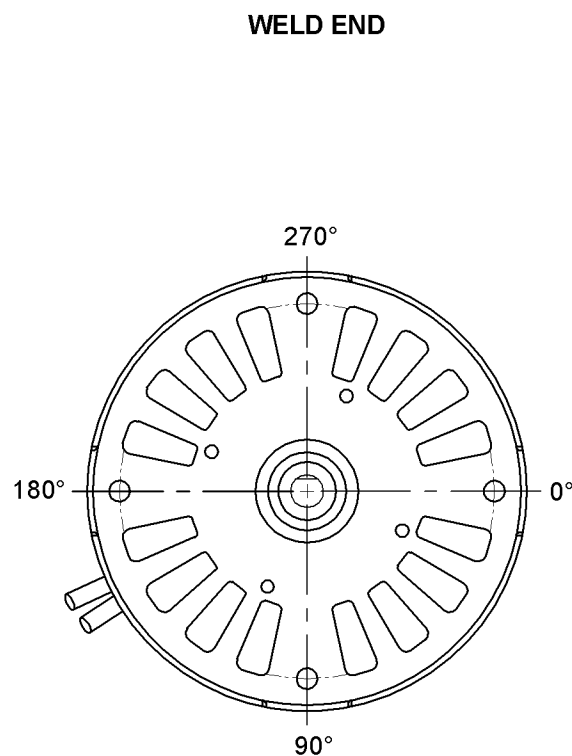
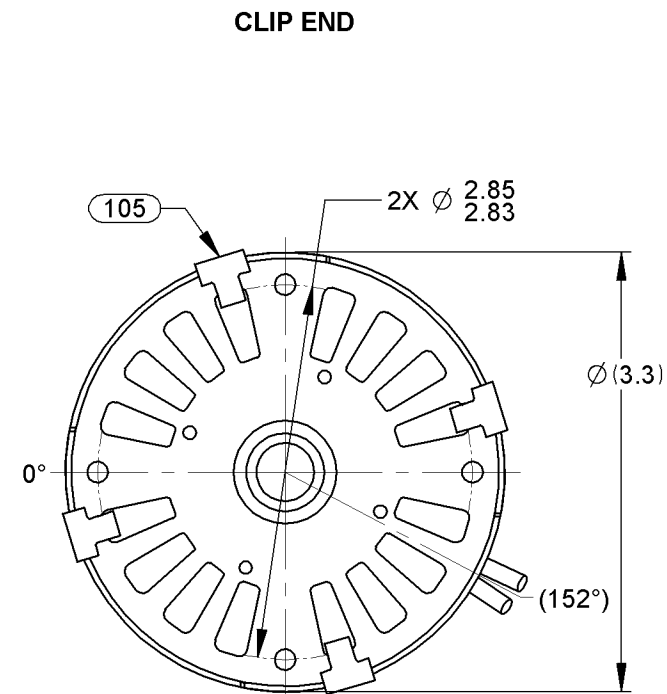


03	REVISED TO POWDER PAINT	SD 12-19-05	04	CHANGED LABEL TO NEW LAYOUT	MLM 11/29/07	05	REMOVE BAR CODE FROM NAMEPLATE.	SDM 08/10/10	STANDARD TOLERANCES: ANGULAR +/- 1 DEGREE 2 PLACE DECIMAL +/- .01 3 PLACE DECIMAL +/- .005
----	-------------------------	-------------	----	-----------------------------	--------------	----	---------------------------------	--------------	---



LEAD MATERIAL
18 GA. 125°C 2/64 INSUL.
X-LINKED POLY, (2) BLACK,
14.00/12.00 IN. LONG
.56/.44 IN. STRIP



0046-4072

0046-4282

FASCO	Fasco Industries, Inc. Motor Division		SAFETY WARNING
Assembled in Mexico			<p>This Motor Must Be Grounded in Accordance With Local Or National Electrical Codes To Prevent Possible Injury Due To Electrical Shock</p>
No. 71731219	TYPE U73B1	T.P. AO LR6319	
115 V	60 Hz	Class B	
0.9 A	1500 RPM	1/50 HP	
Model D609		Max Amb:40°C	

61299553

NOTES:
1. NO PACKAGING TAPE OVER CARTON LABEL.

FRONT SHAFT POSITION	TYPICAL PERFORMANCE AT 115 VOLTS 60 Hz.											CUSTOMER: FASCO DISTRIBUTOR	FASCO FASCO MOTORS GROUP AC MOTOR/BLOWER DIVISION																	
HORIZONTAL 	MOTOR SPEED	IDLE			LOADED			LOCKED			BREAK	PART NUMBER: D609	CONFIDENTIAL: DO NOT DUPLICATE OR DISCLOSE TO THIRD PARTIES WITHOUT WRITTEN PERMISSION OF FASCO MOTORS GROUP, AC MOTOR/BLOWER DIVISION.																	
		R.P.M.	AMP.	WATT	IN.OZ.	R.P.M.	AMP.	WATT	IN.OZ.	AMP.	WATT	IN.OZ.	APPLICATION: DIST. SALES	MOTOR TYPE					DRAWING NUMBER											
CUSTOMER APPROVAL:												MOTOR WEIGHT: 2.1 LBS.	SHADED POLE					7173 1219												
SIGNED:												ENVIRONMENT: DRY	FINISH COLOR: BLACK					REV. 05												
DATE:												DRAWN BY: V. LEONARD	B	LA	FR	A	S	C	E	B	A	00	73	30	V	01	LX	5	1	0
												DATE DRAWN: JANUARY 16,2003																		