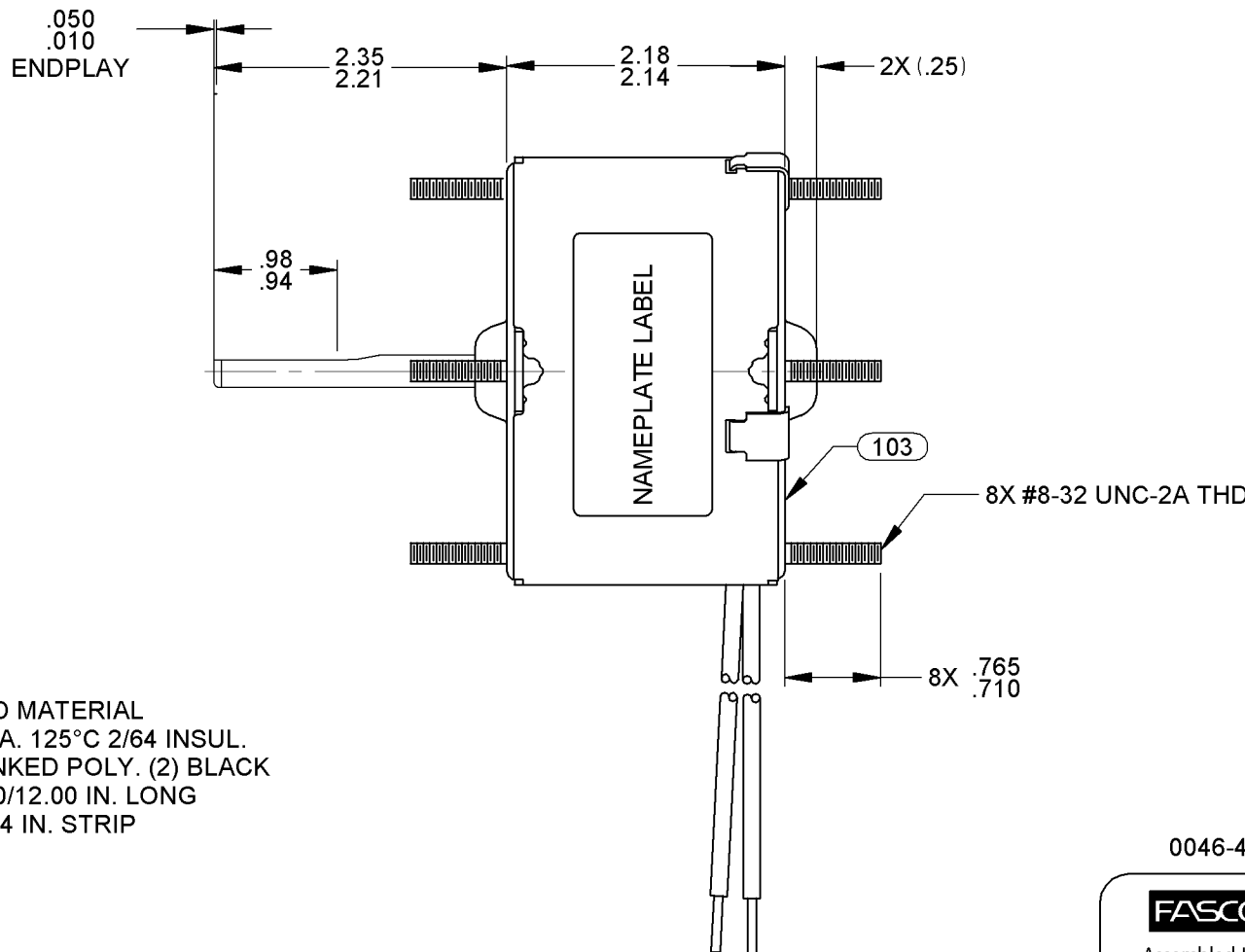
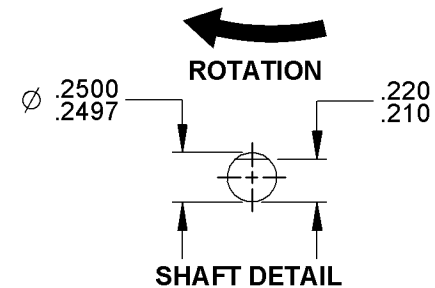
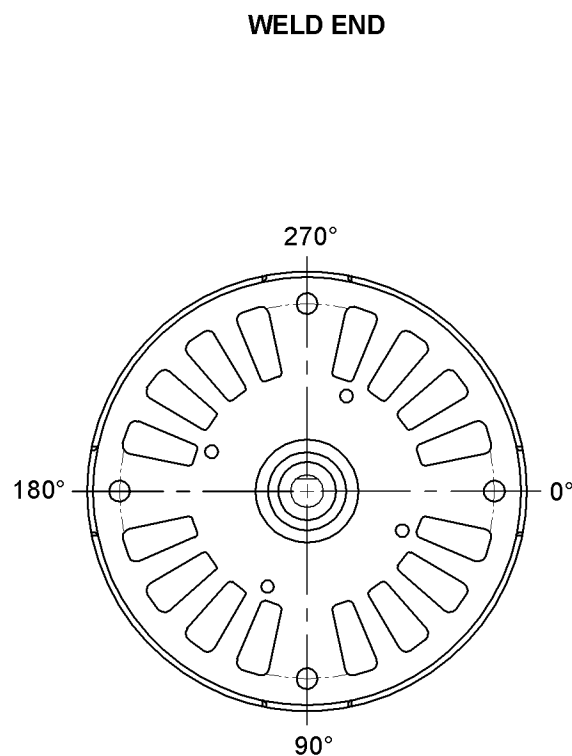
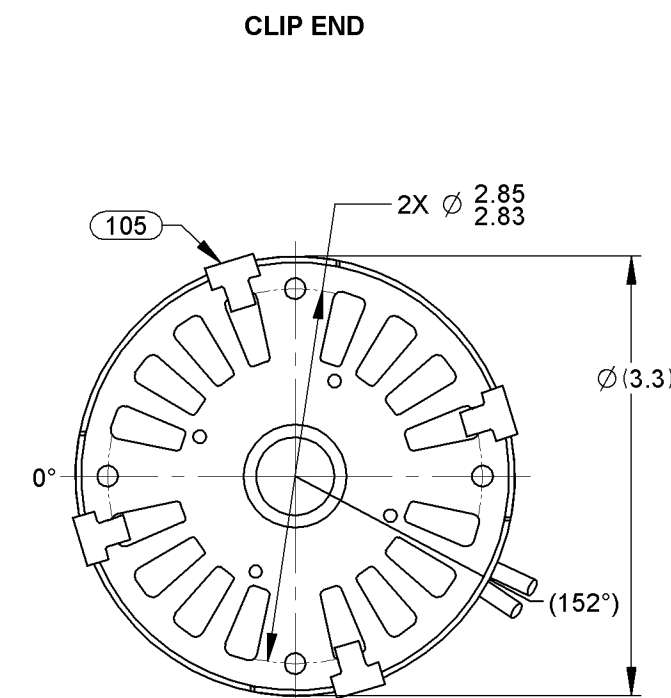


03	REVISED TO POWDER PAINT	SD 12-19-05	04	CHANGED N/P FORMAT, UPDATED STANDARDS	PLA 01/31/08	05	REMOVE BAR CODE FROM NAMEPLATE	SDM 08/10/10	STANDARD TOLERANCES: ANGULAR +/- 1 DEGREE 2 PLACE DECIMAL +/- .01 3 PLACE DECIMAL +/- .005		
----	-------------------------	-------------	----	---------------------------------------	--------------	----	--------------------------------	--------------	---	--	--



LEAD MATERIAL  
18 GA. 125°C 2/64 INSUL.  
X-LINKED POLY. (2) BLACK  
14.00/12.00 IN. LONG  
56/.44 IN. STRIP



NOTES:  
1. NO PACKAGING TAPE OVER CARTON LABEL.

0046-4072	0046-4282
Fasco Industries, Inc. Motor Division 	
Assembled In Mexico No. 71731218 TYPE U73B1 T.P. AO LR6319 115 V 60 Hz Class B 0.9 A 1500 RPM 1.50 HP Model D603 Max Amb: 40°C	
<b>SAFETY WARNING</b> This Motor Must Be Grounded in Accordance With Local Or National Electrical Codes To Prevent Possible Injury Due To Electrical Shock	

61299553

FRONT SHAFT POSITION	* TYPICAL PERFORMANCE AT 115 VOLTS 60 Hz.											CUSTOMER: FASCO DISTRIBUTOR	FASCO MOTORS GROUP AC MOTOR/BLOWER DIVISION										
HORIZONTAL	MOTOR SPEED	IDLE			LOADED			LOCKED			BREAK	PART NUMBER: D603						CONFIDENTIAL: DO NOT DUPLICATE OR DISCLOSE TO THIRD PARTIES WITHOUT WRITTEN PERMISSION OF FASCO MOTORS GROUP, AC MOTOR/BLOWER DIVISION.					
CUSTOMER APPROVAL:		R.P.M.	AMP.	WATT	IN.OZ.	R.P.M.	AMP.	WATT	IN.OZ.	AMP.	WATT	IN.OZ.	APPLICATION: DIST. SALES	MOTOR TYPE									
SIGNED:		-----	.68	39.0	14.0	1500	.75	57.0	5.20	1.05	80.0	5.2	MOTOR WEIGHT: 2.13 LBS.	DRAWING NUMBER									
DATE:													ENVIRONMENT: DRY	SHADED POLE									
													FINISH COLOR: BLACK	7173 1218									
													DRAWN BY: V. LEONARD	B	LA	FR	A	S	C	E	B	A	REV.
													DATE DRAWN: APRIL 08,2003	00	73	30	V	01	LX	5	1	0	05

If Printed, this is an Uncontrolled Document.