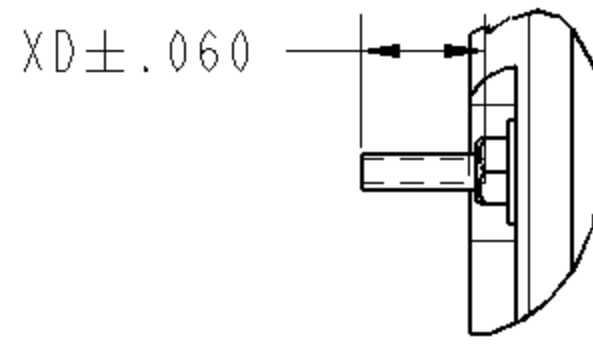
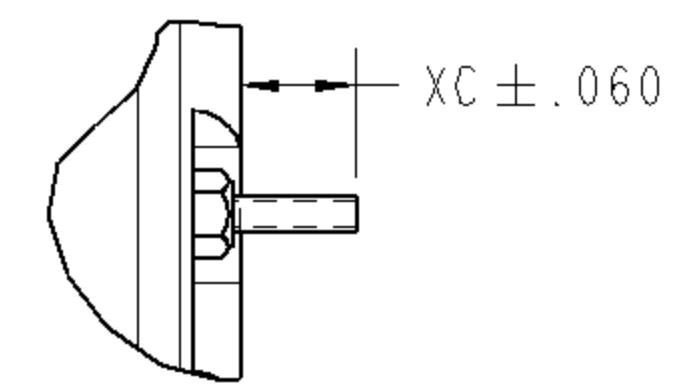


SIZE B DRAWING NO. 5KCP39EFBB23S REV 2 SHEET 1

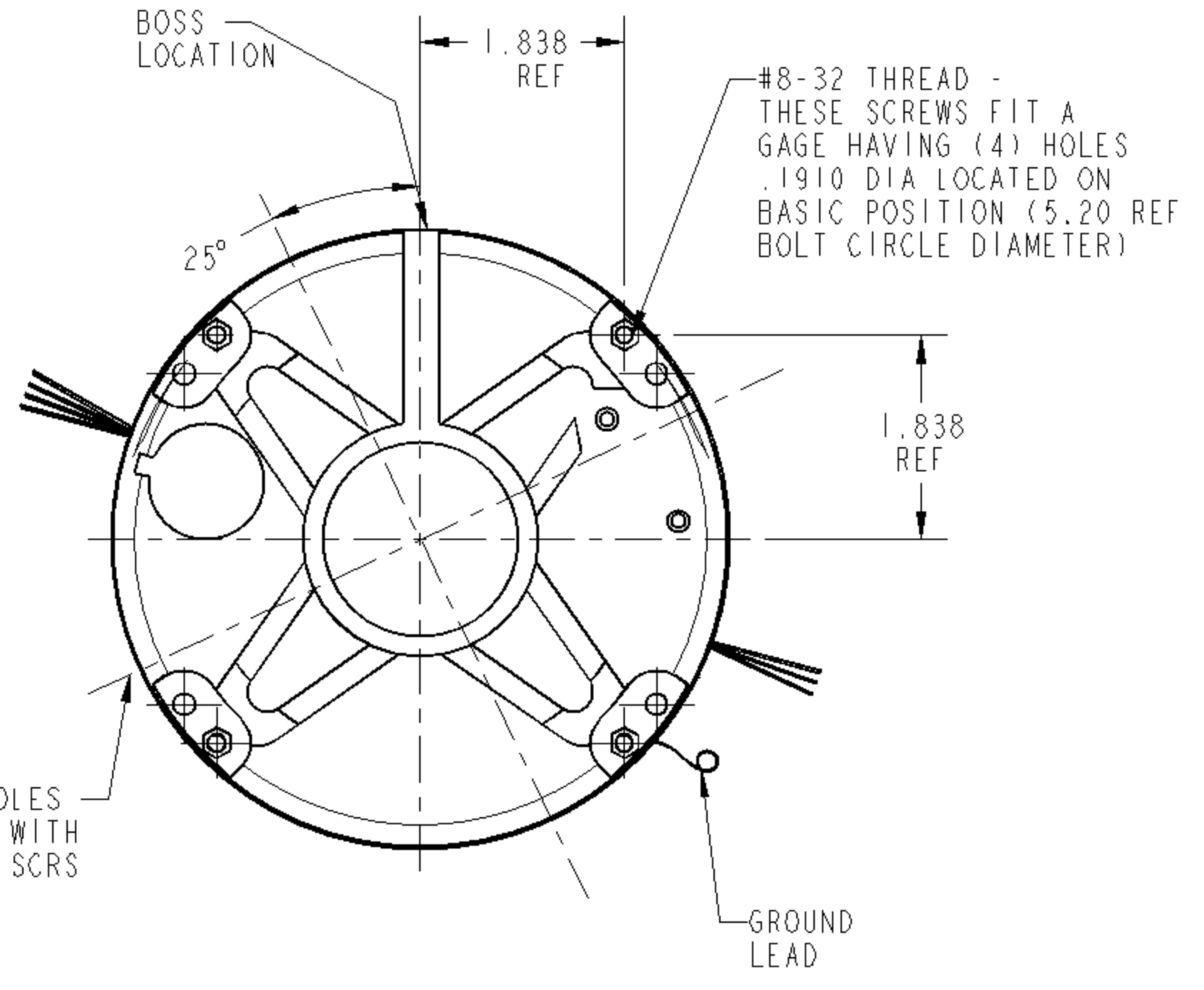
VENTILATION SYSTEM		RBC PROPRIETARY AND CONFIDENTIAL INFORMATION This document is the property of REGAL BELOIT CORPORATION ("RBC") including its subsidiaries and divisions and contains proprietary information of RBC. This document is loaned on the express condition that neither it nor the information contained therein shall be disclosed to others without the express written consent of RBC, and that the information shall be returned to the recipient only as approved expressly by RBC. This document shall be returned to RBC upon its request. This document may be subject to certain restrictions under U.S. export control laws and regulations.	REVISIONS			
SHELL VENTS	CLOSED		REV.	DESCRIPTION	DATE	APPROVED
ENDSHIELD (OPP. LEAD END)	CLOSED		1	UPDATED PER IS09-1369	04/14/09	GSHONK
ENDSHIELD (LEAD END)	CLOSED	2	UPDATED CPN# PER IS09-1369	5/12/09	NTOSOOR	



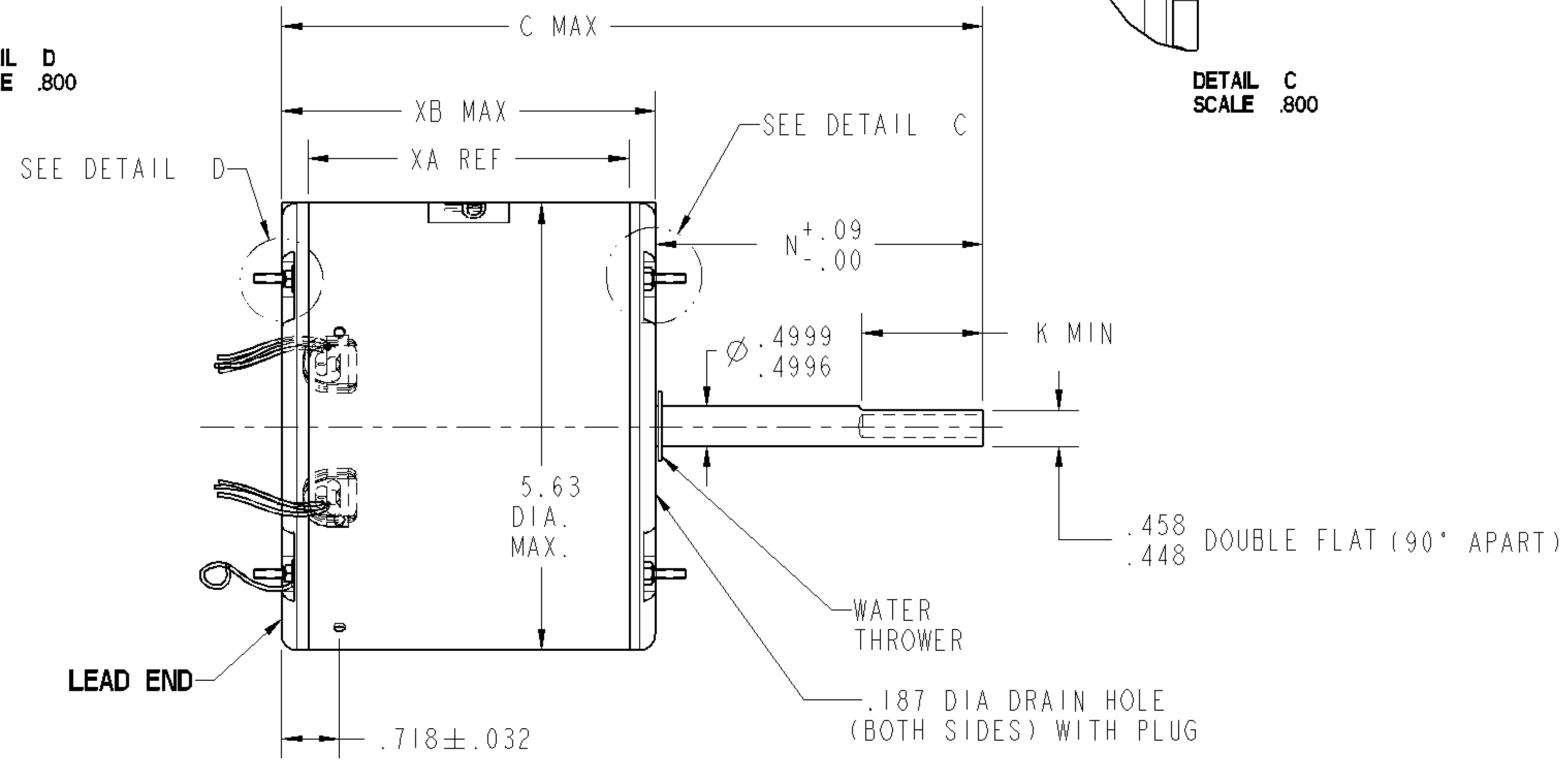
DETAIL D
SCALE .800



DETAIL C
SCALE .800

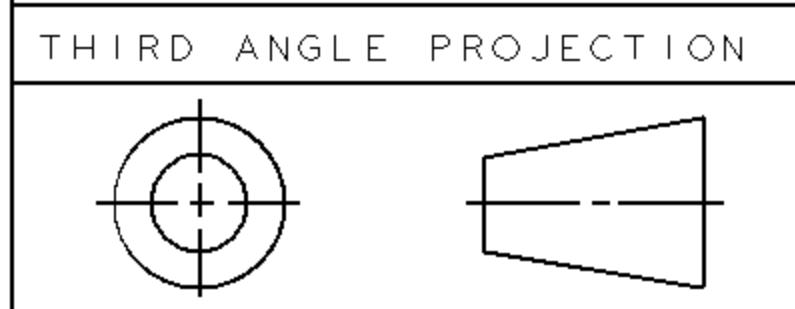


(4) .134/.130 DIA HOLES
90° APART WITH
1/4-8-18 THRD FRM SCRS



NOTE:
1. DIMENSIONS SHOWN ARE NOMINAL UNLESS OTHERWISE SPECIFIED.

	N/A	N/A	1.33	.82	N/A
	XE	XF	XC	XD	YO
10.81	6.50	5.50	N/A	N/A	N/A
C	N	K	XN	XK	LM
			XA		XB



S/N	CONNECTION	COLOR	EXIT TYPE	EXIT LOC (VIEWING LE)	GAGE	MATERIAL	WALL THK	LENGTH	TERMINATION
1	COMMON LEAD	WHITE	4-5 LD BUSHING	3:40	18	THERMOPLASTIC	4/64	37.00	.50 BWS
2	REV LEAD	YELLOW	2-3 LD BUSHING	9:40	18	EPDM	2/64	4.00	.25 MALE ISQC
3	CAPACITOR LEAD	BROWN	4-5 LD BUSHING	3:40	18	THERMOPLASTIC	4/64	37.00	.25 FOC
4	REV LEAD	ORANGE	2-3 LD BUSHING	9:40	18	EPDM	2/64	4.00	.25 MALE ISQC
5	CAPACITOR LEAD	BRN/WHT	4-5 LD BUSHING	3:40	18	THERMOPLASTIC	4/64	37.00	.25 FOC
6	REV LEAD	BROWN	2-3 LD BUSHING	9:40	18	EPDM	2/64	4.00	.25 FISQC LO INS FORCE
7	HIGH SPEED LEAD	BLACK	4-5 LD BUSHING	3:40	18	THERMOPLASTIC	4/64	37.00	.50 BWS
8	REV LEAD	PURPLE	2-3 LD BUSHING	9:40	18	EPDM	2/64	4.00	.25 FISQC LO INS FORCE
9	GROUND	GRN-YEL	CLAMPSCREW	4:30	18	THERMOPLASTIC	2/64	12.00	#10 SERR EYELET

NAMEPLATE DATA	
MODEL	5KCP39EFBB23S
CUST P/N	MODEL D5488
HP	1/6-1/8
RPM	825
VOLTS	208-230
HZ	60
* SPEEDS	1
AMPS	1.00
CAP REQ'D-1	5.00µfd/370Volts
CAP REQ'D-2	N/R
CONN. DRW*	NP24X327691
ROTATION	CCW/CW (VIEWED FROM LE)

REGAL BELOIT REGAL-BELOIT CORPORATION FORTWAYNE, INDIANA

TITLE **MOTOR OUTLINE**
(CUSTOMER NAME : FASCO)

SIZE B DRAWING **5KCP39EFBB23S** REV 2

SCALE: NO ISSUED: 4/14/09 SHEET 1 of 1