

NOTES

1. THRU AIR SPACING BETWEEN WIRE AND METAL .10 MIN.
2. TIE BOLT TORQUE TOLERANCE 10 - 15 IN. LBS.
3. FOR WASHER SET-UP, SEE CHART C600 0279, DETAIL "P".
4. ASSEMBLE TIE WRAP, 8541 6000, AROUND ALL LEADS (WITH LEADS TAUT) AS CLOSE AS POSSIBLE TO LEAD END COVER.
5. ROTOR FREENESS TO BE WITHIN 3/4 OZ. IN.
6. SALES TO SPECIFY ON P.O. WHICH PACK TO USE.

ECO	REV.	DATE	SPEC/CHECK
632463	13	2-10-04	LDC/LDC
638641	14	9-18-08	MKR/MKR
639448	15	04-14-09	GAE/GAE

- 71xx xxxx,M
- A. SEE PACKAGING MANUAL PAGE 2 FOR PACKAGING PROCEDURE.
- 1 MOTOR/CARTON;
 - 32 MOTORS/LAYER;
 - 6 LAYERS/PALLET;
 - 192 MOTORS/PALLET.
- B. SEE DRAWING 8785 6079 SH. 1 FOR PALLET LAYOUT.
- C. CENTER LABEL, 6119 6361, ON END OF CARTON.
- D. PLACE SHAFT BUSHING, 0006 3274, IN CARTON WITH MOTOR.
- E. PLACE PAMPHLET, 6122 4579, IN CARTON WITH MOTOR.

71xx xxxxC

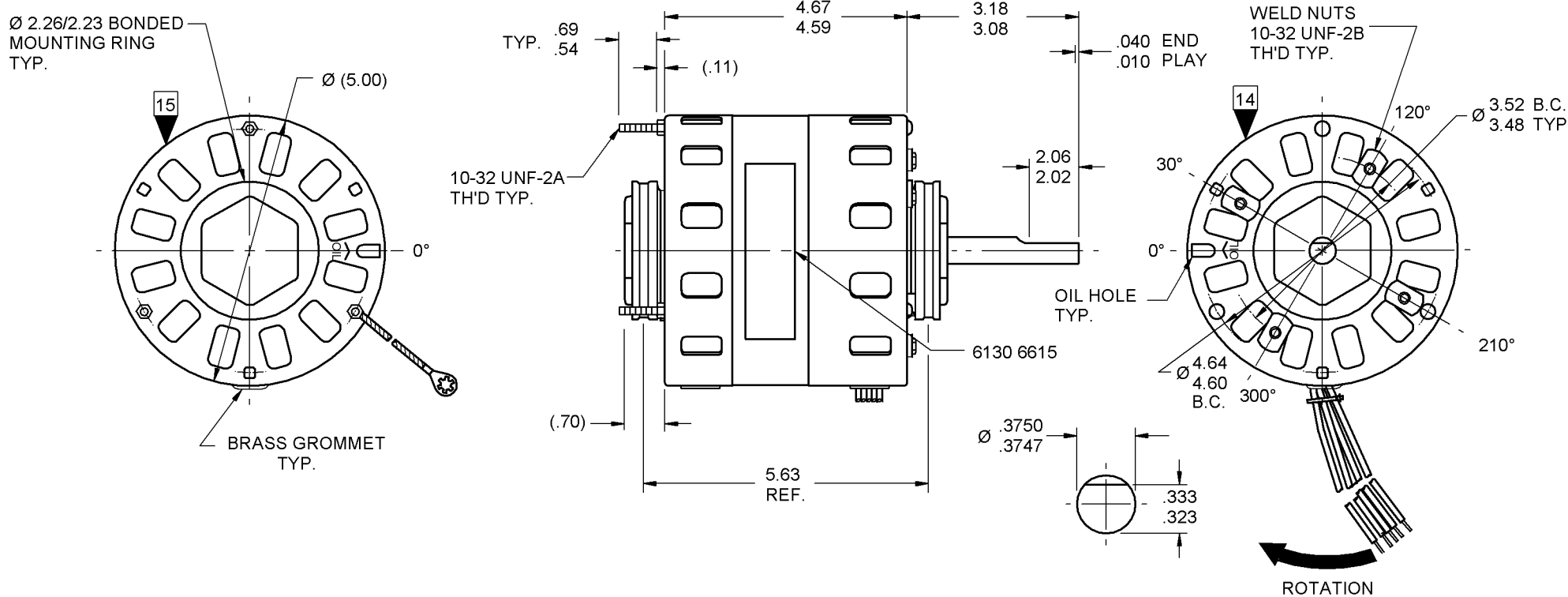
PRODUCTION TEST AT IDLE 115/230 VOLTS 60 HZ		MOTOR SPEED	PERFORMANCE TEST 115/230 VOLTS 60 HZ 1 PH 1/15 HP										
AMP	WATT		IDLE			LOADED				LOCKED			BREAK
			RPM	AMP	WATT	OZ/IN	RPM	AMP	WATT	OZ/IN	AMP	WATT	OZ/IN
3.08 — 2.52	167.2 — 136.8	HIGH 115 V.	1180	2.8	152	97	1050	3.2	222	40	4.3	265	113
1.54 — 1.26	167.2 — 136.8	HIGH 230 V.	1180	1.4	152	97	1050	1.6	222	40	2.1	265	113

HI-POT TEST 2000 VOLTS
MAX LEAKAGE CURRENT 5 mA

7151 3284 MA

OPPOSITE LEAD END

LEAD END



LEAD DATA: 18 GA. 2/64" INS. 105° C THERMO. WHITE, RED, BLUE, BLACK AND PURPLE LEADS 32.75"/30.75" LONG WITH .56"/.44" STRIPS.

GROUND DATA: 18 GA. 2/64" INS. 105° C THERMO. GRN/YEL 13.00"/12.00" LONG WITH A # 10 SERRATED RING TERM.

7151 3284 = MADE IN U.S.A.
7151 3284M = ASSEMBLED IN MEXICO

FASCO FASCO INDUSTRIES, INC. MOTOR DIVISION

THERMALLY PROTECTED CONNECTION DIAGRAM

V. 115/208-230 HZ 50/60 PH 1 ROT ←

HP 1/15 TYPE U51 AMP 3.4/1.7

RPM 1050 AO NO. 7151-3284

MODEL **D492**

DATE/BAR CODE AREA PER 8882 6003

WHT — LINE WHT — LINE
PURP — PURP - NOT USED
BLUE — BLUE
RED — RED
BLK — LINE BLK — LINE

SAFETY WARNING
THIS MOTOR MUST BE GROUNDED IN ACCORDANCE WITH LOCAL OR NATIONAL ELECTRICAL CODES TO PREVENT POSSIBLE INJURY DUE TO ELECTRICAL SHOCK

6130 6615,M REV. 6

LOCATE Ⓞ OF NAMEPLATE ON Ⓞ OF STATOR TO READ RIGHT FROM OPP. LEAD END OF MOTOR CENTER AT 0°.

SIZE 3.50 X 1.00

SPECIAL INSTRUCTIONS: SHAFT IS BONDERIZED. MECHANICALLY REVERSIBLE.	
SHAFT BUSHING PACKED WITH MOTOR. PAMPHLET PACKED WITH MOTOR.	
MOTORS PACKED MAX. PER SKID: PALLET PACK, 192 CARTON PACK.	
CUSTOMER: FASCO DISTRIBUTING CO.	PROPRIETARY: DO NOT DUPLICATE OR DISCLOSE TO THIRD PARTIES WITHOUT WRITTEN PERMISSION OF FASCO IND. INC., ELDON MO. FASCO INDUSTRIES, INC. MOTOR DIVISION ELDON PLANT
PART NUMBER: D492	
APPLICATION: DIST. SALES	MOTOR TYPE
FINISH COLOR: GRAY	SHADED POLE
MOTOR WEIGHT: LBS.	MOTOR NUMBER
ENVIRONMENT: DRY	7151 3284
INSULATION CLASS: A	M
	REV. 15
	B LA FR A S C E B A
	00 51 11 F 05 EL 5 5 0