

NOTES

1. THRU AIR SPACING BETWEEN WIRE AND METAL .10 MIN.
2. TIE BOLT TORQUE TOLERANCE 7 - 12 IN. LBS.
3. FOR WASHER SET-UP, SEE CHART C600 0279, DETAIL "P".
4. ASSEMBLE TIE WRAP, 8541 6000, AROUND ALL LEADS ( WITH LEADS TAUT) AS CLOSE AS POSSIBLE TO LEAD END COVER.
5. ROTOR FREENESS TO BE WITHIN 3/4 OZ. IN.
6. SALES TO SPECIFY ON P.O. WHICH PACK TO USE.

ECO	REV.	DATE	SPEC/CHECK
632342	15	1-20-04	JAK/RWS
638871	16	11-26-08	GAE/GAE
639433	17	04-13-09	GAE/GAE

- A. SEE PACKAGING MANUAL PAGE 2 FOR PACKAGING PROCEDURE.
- 1 MOTOR/CARTON;  
32 MOTORS/LAYER;  
6 LAYERS/PALLET;  
192 MOTORS/PALLET.
- B. SEE DRAWING 8785 6079 SH. 1 FOR PALLET LAYOUT.
- C. CENTER LABEL, 6119 6360, ON END OF CARTON.
- D. PLACE SHAFT BUSHING, 0006 3274, IN CARTON WITH MOTOR.
- E. PLACE PAMPHLET, 6122 4579, IN CARTON WITH MOTOR.

71xx xxxx,M

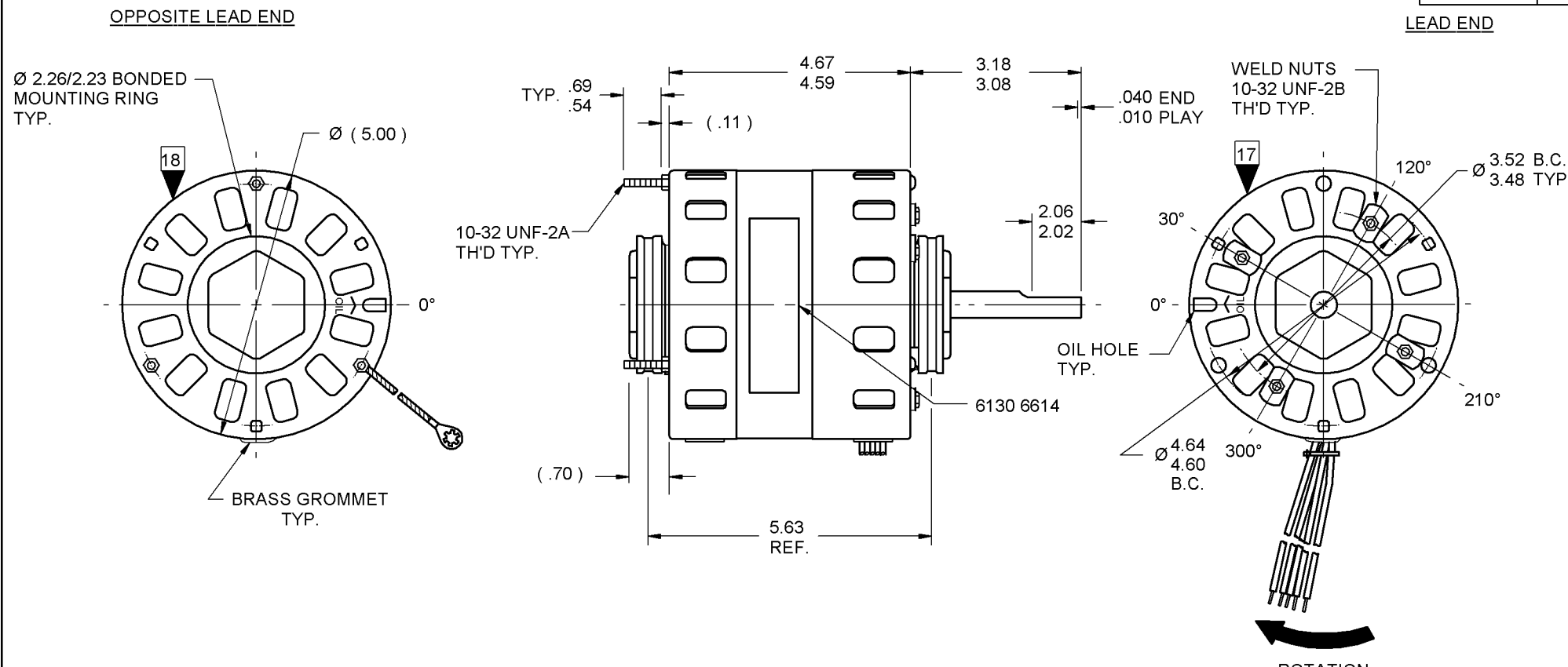
71xx xxxxC

If Printed, this is an Uncontrolled Document

PRODUCTION TEST AT IDLE 115/230 VOLTS 60 HZ		MOTOR SPEED	PERFORMANCE TEST 115/230 VOLTS 60 HZ 1 PH 1/10 HP											
AMP	WATT		IDLE			LOADED				LOCKED			BREAK	
			RPM	AMP	WATT	OZ/IN	RPM	AMP	WATT	OZ/IN	AMP	WATT	OZ/IN	
4.62 — 3.78	242.0 — 198.0	HIGH 115 V.	1181	4.2	220	147	1050	4.8	328	53	6.6	402	169	
2.31 — 1.89	242.0 — 198.0	HIGH 230 V.	1180	2.1	220	147	1050	2.4	328	53	3.3	402	169	

HI-POT TEST 2000 VOLTS  
MAX LEAKAGE CURRENT 5 mA

7151 3320 MA



LEAD DATA: 18 GA. 2/64" INS. 105° C THERMO.  
WHITE, BLACK, BLUE, RED AND PURPLE LEADS 32.75"/30.75"  
LONG WITH .56"/.44" STRIPS.

GROUND DATA: 18 GA. 2/64" INS. 105° C THERMO.  
GRN/YEL 7.00"/6.00" LONG WITH A # 10 SERRATED RING TERM.

7151 3320 = MADE IN U.S.A.  
7151 3320M = ASSEMBLED IN MEXICO

**FASCO** FASCO INDUSTRIES, INC. MOTOR DIVISION

CONNECTION DIAGRAM  
115 V. 230 V.

WHT — LINE WHT — LINE  
PURP — LINE PURP - NOT USED  
BLU — LINE BLU — LINE  
RED — LINE RED — LINE  
BLK — LINE BLK — LINE

V. 115/208-230 HZ 50/60 ROT  
HP 1/10 RPM 1050 NO. 7151-3320  
AMP 5.0/2.5 PH 1 TYPE U51  
THERMALLY PROTECTED AO

**MODEL D490**

DATE/BAR CODE AREA PER 8882 6003

**SAFETY WARNING**  
THIS MOTOR MUST BE GROUNDED IN ACCORDANCE WITH LOCAL OR NATIONAL ELECTRICAL CODES TO PREVENT POSSIBLE INJURY DUE TO ELECTRICAL SHOCK

6130 6614,M REV. 6

LOCATE  $\phi$  OF NAMEPLATE ON  $\phi$  OF STATOR TO READ RIGHT FROM OPP. LEAD END OF MOTOR CENTER AT 0°.

SIZE 3.50 X 1.00

SPECIAL INSTRUCTIONS: SHAFT IS BONDERIZED. MECHANICALLY REVERSIBLE. SHAFT BUSHING PACKED WITH MOTOR. PAMPHLET PACKED WITH MOTOR.	
MOTORS PACKED MAX. PER SKID: <u>    </u> PALLET PACK, 192 CARTON PACK.	
CUSTOMER: FASCO DISTRIBUTING CO.	PROPRIETARY: DO NOT DUPLICATE OR DISCLOSE TO THIRD PARTIES WITHOUT WRITTEN PERMISSION OF FASCO IND. INC., ELDON MO. FASCO INDUSTRIES, INC. MOTOR DIVISION ELDON PLANT
PART NUMBER: D490	
APPLICATION: DIST. SALES	MOTOR TYPE SHADED POLE
FINISH COLOR: GRAY	
MOTOR WEIGHT: 7.67 LBS.	
ENVIRONMENT: DRY	
INSULATION CLASS: A	
	MOTOR NUMBER 7151 3320 M
	REV. 17

8882 6003 0