

NOTES

1. STATOR LOCATION DIMENSION IS FROM SLEEVE EDGE (OPPOSITE LEAD END) TO STATOR STEEL 1.28/1.26.
2. STATOR STACK 3/4".
3. THRU AIR SPACING BETWEEN WIRE AND METAL .094 MIN.
4. TIE BOLT TORQUE TOLERANCE 13 - 17 IN. LBS.
5. FOR WASHER SET-UP, SEE CHART C600 0279, DETAIL A".
6. LOCATE DANGER LABEL, 6120 6314, ADJACENT TO AND ABOVE NAMEPLATE WITHIN .25" TO READ RIGHT FROM OPP. LEAD END OF MOTOR.
7. CONNECT THE TWO YELLOW REV. LEADS TOGETHER AND THE TWO PURPLE REV. LEADS TOGETHER. THIS WILL GIVE CWLW ROTATION.
8. SALES TO SPECIFY ON P.O. WHICH PACK TO USE.

| ECO | REV. | DATE | SPEC/CHECK |
|--------|------|----------|------------|
| 638868 | 4 | 11-24-08 | GAE/GAE |
| 639983 | 5 | 6-22-09 | MKR/MKR |
| 631756 | 2 | 9-16-03 | DJK/RWS |
| 635403 | 3 | 12-12-05 | GAE/GAE |

A. SEE PACKAGING MANUAL PAGE 3 FOR PACKAGING PROCEDURES.

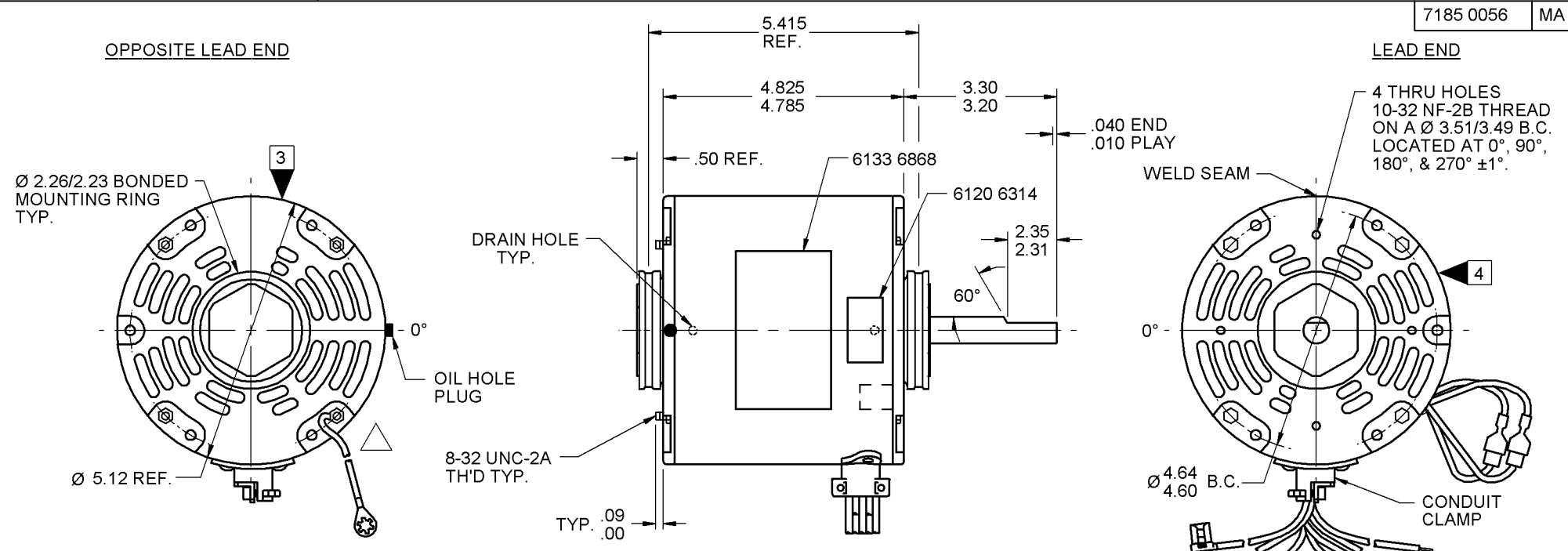
1 MOTOR/CARTON;
18 MOTORS/LAYER;
6 LAYERS/PALLET;
108 MOTORS/PALLET.

B. SEE DRAWING 8785 6079 SH. 3 FOR PALLET LAYOUT.

C. CENTER LABEL, 6120 6316, ON END OF CARTON.

D. PLACE PAMPHLET, 6122 4579, IN CARTON WITH MOTOR.

| PRODUCTION TEST AT IDLE 115 VOLTS 60 HZ | | MOTOR SPEED | PERFORMANCE TEST 115 VOLTS 60 HZ 1 PH 1/20 HP CAP. 3 MFD 370 VAC | | | | | | | | | | |
|--|-------------|---|--|-----|------|--------|------|------|------|--------|------|------|-------|
| AMP | WATT | | IDLE | | | LOADED | | | | LOCKED | | | BREAK |
| | | | RPM | AMP | WATT | OZ/IN | RPM | AMP | WATT | OZ/IN | AMP | WATT | OZ/IN |
| .64 — .52 | 45.1 — 36.9 | HIGH | 1765 | .58 | 41 | 49.0 | 1550 | 1.09 | 111 | 24.0 | 2.06 | 212 | 63.0 |
| HI-POT TEST 2000 VOLTS | | TYPICAL PERFORMANCE SHOWN FOR CWLW ROTATION | | | | | | | | | | | |
| MAX LEAKAGE CURRENT 5 mA | | | | | | | | | | | | | |



DANGER
TO AVOID ELECTRICAL SHOCK/MOTOR DAMAGE, ONLY USE MOUNTING SCREWS THAT WILL NOT EXTEND MORE THAN .25" THRU MOTOR FACE.

7185 0056 = MADE IN U.S.A.
7185 0056R = ASSEMBLED IN MEXICO

LEAD DATA: 18 GA. 2/64" INS. 125° C EPDM WHITE, PURPLE, RED, BLUE & BLACK LINE LEADS 32.00"/30.00" LONG WITH .56"/.44" STRIPS. BROWN & BRN/WHT CAP. LEADS 32.00"/30.00" LONG WITH 1/4" FLAG TERMINALS.

REV. LEAD DATA: 18 GA. 2/64" INS. 125° C EPDM 2 - YELLOW & 2 - PURPLE 8.00"/6.00" LONG WITH 1/4" PRE-INSULATED Q.C. TERMINALS.

GROUND DATA: 18 GA. 2/64" INS. 105° C THERMO. GREEN 13.50"/12.50" LONG WITH A #10 SERRATED RING TERMINAL.

FASCO FASCO INDUSTRIES, INC. MOTOR DIVISION

THERMALLY PROTECTED MODEL D489

V. 115/208-230 HZ 60 PH 1 ROT →
AMP 1.2/.6 INS CL B CAP 3 MFD 370 VAC
HP 1/15 TYPE U185B1 NO. 7185-0056
RPM 1550 40° C AMB AO

CONNECTION DIAGRAM
115 V 208 - 230 V
BRN BRN/WHT CAP. BRN BRN/WHT CAP.
WHT WHT LINE WHT WHT LINE
PURP PURP-INSULATE
BLUE BLUE
RED RED
BLK BLK LINE

ROTATION INSTRUCTIONS
CW CCW
SHAFT END SHAFT END
PURPLE → PURPLE →
PURPLE → YELLOW →
YELLOW → YELLOW →
YELLOW → PURPLE →

SAFETY WARNING
THIS MOTOR MUST BE GROUNDED IN ACCORDANCE WITH LOCAL OR NATIONAL ELECTRICAL CODES TO PREVENT POSSIBLE INJURY DUE TO ELECTRICAL SHOCK

DATE/BAR CODE AREA PER 8882 6003

6133 6868,R REV. 2

LOCATE Ⓞ OF NAMEPLATE ON Ⓞ OF SLEEVE TO READ RIGHT FROM OPP. LEAD END OF MOTOR CENTER AT 0°.

SIZE 3.50 X 2.00

SPECIAL INSTRUCTIONS: SHAFT IS BONDERIZED. ROTOR IS RUSTPROOFED. △ GROUND STRAP TERMINAL IS NOT TO EXTEND BEYOND PERIPHERY OF MOTOR. ROTATE WELD SEAM 90° CCWLE, AS SHOWN. 3/8" TO 1/2" SHAFT BUSHING, CAPACITOR AND RUBBER BOOT SHIPPED WITH MOTOR. PAMPHLET PACKED WITH MOTOR.

MOTORS PACKED MAX. PER SKID: ___ PALLET PACK, 108 CARTON PACK, ___ TRAY PACK.

| | |
|-------------------------------------|---|
| CUSTOMER: FASCO DISTRIBUTING CO. | PROPRIETARY: DO NOT DUPLICATE OR DISCLOSE TO THIRD PARTIES WITHOUT WRITTEN PERMISSION OF FASCO IND. INC., ELDON MO. |
| PART NUMBER: D489 | FASCO INDUSTRIES, INC. MOTOR DIVISION ELDON PLANT |
| APPLICATION: DIST. SALES | MOTOR TYPE P.S.C. |
| FINISH COLOR: GRAY | MOTOR NUMBER 7185 0056 |
| MOTOR WEIGHT: 7.38 LBS. | REV. 5 |
| ENVIRONMENT: WET | |
| INSULATION CLASS: B | |

If Printed, this is an Uncontrolled Document