

NOTES:

1. THRU AIR SPACING BETWEEN WIRE AND METAL .094 MIN.
2. TIE BOLT TORQUE TOLERANCE 7-10 IN. LBS.
3. ROTOR FREENESS TO BE WITHIN 3/4 OZ. IN.
4. FOR WASHER SET-UP, SEE CHART C600 0279, DETAIL "Q".
5. ASSEMBLE TIE WRAP, 8541 6000, AROUND ALL LEADS (WITH LEADS HELD TAUT) AS CLOSE TO COVER AS POSSIBLE.
6. MAXIMUM 0.1 Ω RESISTANCE BETWEEN GROUND TERMINAL AND MOTOR FRAME.
7. SALES TO SPECIFY ON P.O. WHICH PACK TO USE.

ECO	REV.	DATE	SPEC/CHECK
620150	11	12-10-97	CSB/RWS
631689	12	9-4-03	MKR/MKR
639612	13	5-5-09	LDC/LDC

- A. SEE PACKAGING MANUAL PAGE 2 FOR PACKAGING PROCEDURES.
- 1 MOTOR/CARTON;
 - 40 MOTORS/LAYER;
 - 6 LAYERS/PALLET;
 - 240 MOTORS/PALLET.
- B. SEE DRAWING 8785 6079 SH. 1 FOR PALLET LAYOUT.
- C. CENTER LABEL, 6119 6379, ON END OF CARTON.
- D. PACK SHAFT BUSHING, 0006 3274, IN CARTON WITH MOTOR.
- E. PLACE PAMPHLET, 6122 4579, IN CARTON WITH MOTOR.

71xx xxxx,M

71xx xxxxC

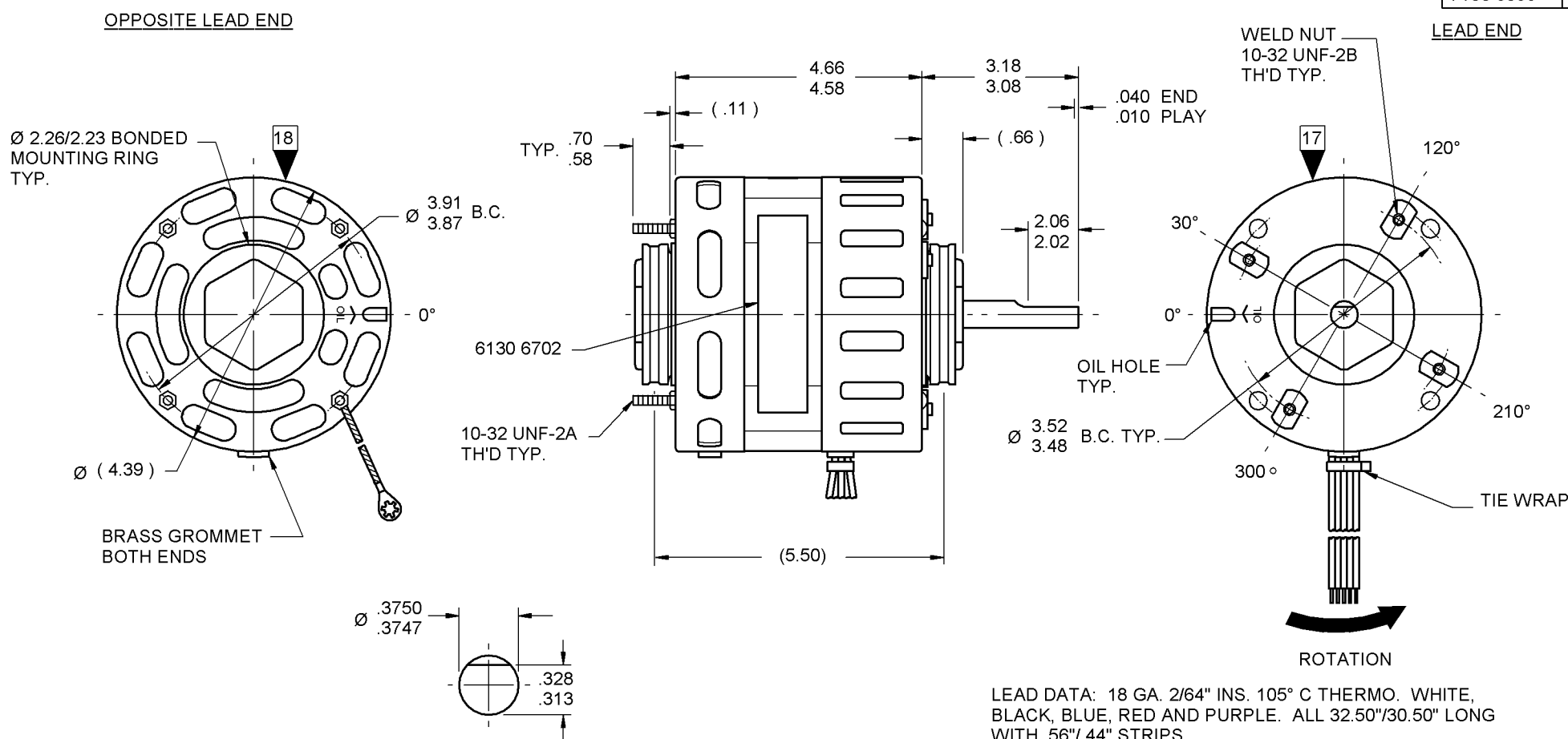
If Printed, this is an Uncontrolled Document

PRODUCTION TEST AT IDLE 115/230 VOLTS 60 HZ		MOTOR SPEED	PERFORMANCE TEST 115/230 VOLTS 60 HZ 1 PH 1/10 HP										
AMP	WATT		IDLE			LOADED				LOCKED			BREAK
			RPM	AMP	WATT	OZ/IN	RPM	AMP	WATT	OZ/IN	AMP	WATT	OZ/IN
3.74 — 3.06	183.7 — 150.3	115 VOLTS	1773	3.4	167	103	1550	4.3	297	37	6.3	381	112
1.87 — 1.53	181.5 — 148.5	230 VOLTS	1773	1.7	165	103	1550	2.1	297	37	3.1	381	112

HI-POT TEST 2000 VOLTS MOTORS MUST START WITH 180 VOLTS APPLIED TO LOWEST SPEED.

MAX LEAKAGE CURRENT 5 mA

7108 6399 MA



LEAD DATA: 18 GA. 2/64" INS. 105° C THERMO. WHITE, BLACK, BLUE, RED AND PURPLE. ALL 32.50"/30.50" LONG WITH .56"/.44" STRIPS.

GROUND DATA: 18 GA. 2/64" INS. 105° C THERMO. GRN/YEL 7.00"/6.00" LONG WITH A #10 SERRATED RING TERMINAL.

7108 6399 = MADE IN U.S.A.
7108 6399M = ASSEMBLED IN MEXICO

FASCO FASCO INDUSTRIES, INC. MOTOR DIVISION

CONNECTION DIAGRAM
115 V. 230 V.

V. 115/208-230 HZ 50/60 ROT
HP 1/10 PH 1 NO. 7108-6399
AMP 4.5/2.2 RPM 1550 TYPE U8
THERMALLY PROTECTED A0

MODEL **D481**

WHT — LINE WHT — LINE
PURP — PURP - NOT USED
BLUE — BLUE
RED — RED
BLK — LINE

SAFETY WARNING
THIS MOTOR MUST BE GROUNDED IN ACCORDANCE WITH LOCAL OR NATIONAL ELECTRICAL CODES TO PREVENT POSSIBLE INJURY DUE TO ELECTRICAL SHOCK

DATE/BAR CODE AREA PER 8882 6003

6130 6702,M REV. 7

LOCATE C OF NAMEPLATE ON C OF STATOR TO READ RIGHT FROM LEAD END OF MOTOR CENTER AT 0°.
SIZE 3.50 X 1.00

SPECIAL INSTRUCTIONS: SHAFT IS BONDERIZED. MECHANICALLY REVERSIBLE. SHAFT BUSHING AND PAMPHLET PACKED WITH MOTOR.

MOTORS PACKED MAX. PER SKID: PALLET PACK, 240 CARTON PACK.

CUSTOMER: FASCO DISTRIBUTING CO.		PROPRIETARY: DO NOT DUPLICATE OR DISCLOSE TO THIRD PARTIES WITHOUT WRITTEN PERMISSION OF FASCO IND. INC., ELDON MO.	
PART NUMBER: D481		FASCO INDUSTRIES, INC. MOTOR DIVISION ELDON PLANT	
APPLICATION: DIST. SALES	MOTOR TYPE	MOTOR NUMBER	REV.
FINISH COLOR: GRAY	SHADED POLE	7108 6399	13
MOTOR WEIGHT: LBS.	B LA FR A S C E B A		
ENVIRONMENT: DRY	00 08 11 F 06 GL 5 5 0		
INSULATION CLASS: A			