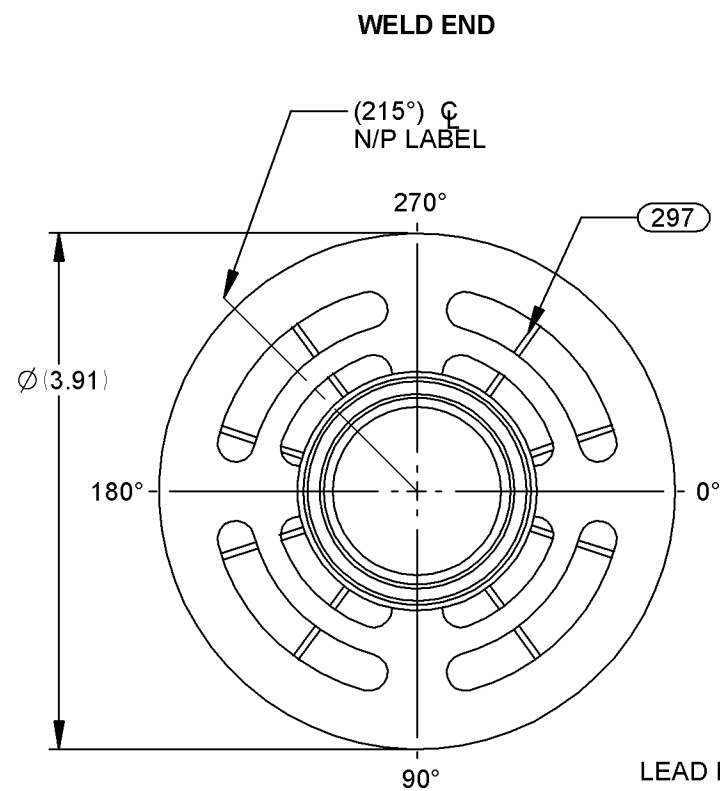
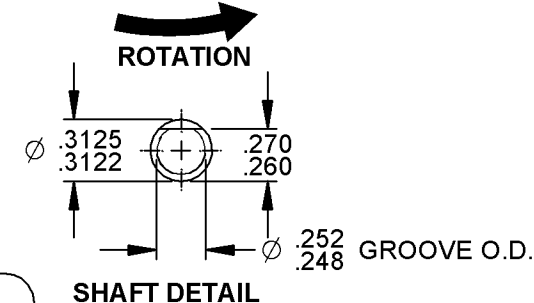
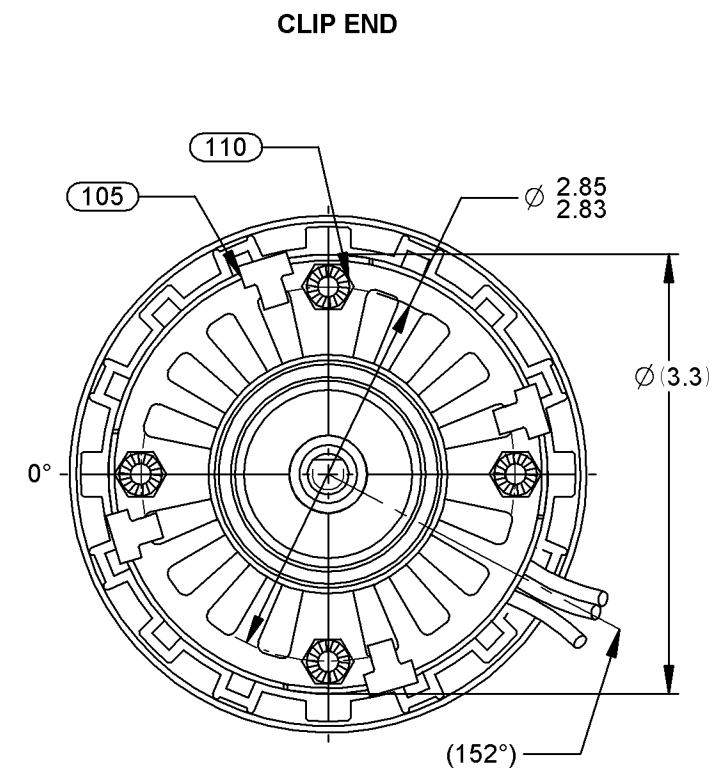
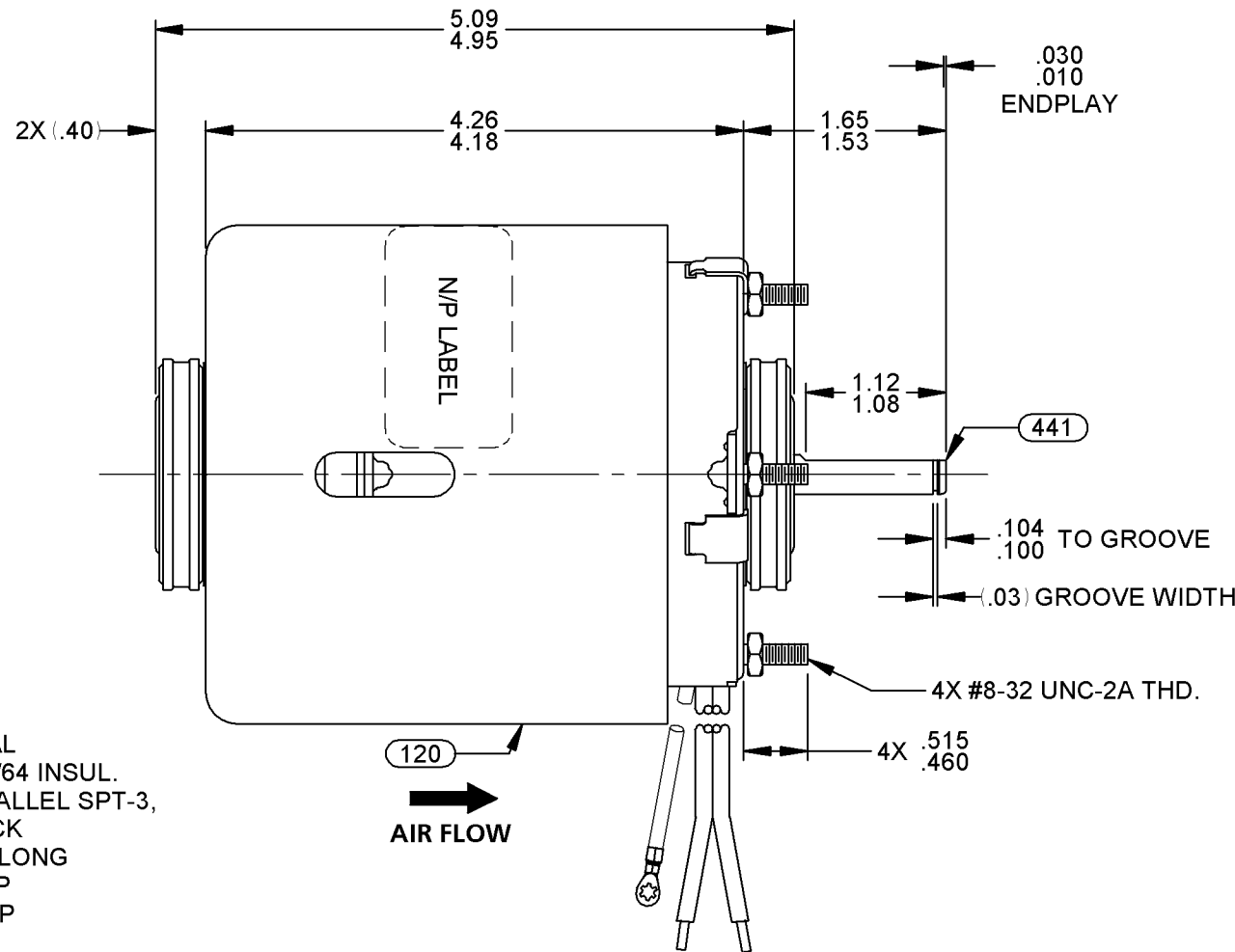


11	APPLIED STANDARDS, MOVED MOTOR MTG. RING TO COOLING CASE ASSY.	MLM 3/14/07	12	CHANGED N/P FORMAT & REMOVED WARNING LABEL	PLA 02/19/09	13	REVISED PACKING	MLM 7/20/10	STANDARD TOLERANCES: ANGULAR +/- 1 DEGREE 2 PLACE DECIMAL +/- .01 3 PLACE DECIMAL +/- .005
----	--	-------------	----	--	--------------	----	-----------------	-------------	---



**LEAD MATERIAL**  
 18 GA. 105°C 4/64 INSUL.  
 (2) COND. PARALLEL SPT-3,  
 THERMO, BLACK  
 14.00/12.00 IN. LONG  
 3.25/2.75 IN. RIP  
 .86/.74 IN. STRIP

**GROUND LEAD**  
 18 GA. 125°C 2/64 INSUL.  
 X-LINKED POLY, GRN/YEL  
 14.00/12.00 IN. LONG  
 W/ RING TERM. 8903-9221  
 AMP # 42110-3



NOTES:

- 1. NO PACKING TAPE OVER CARTON LABEL.

0046-4072      0046-4282

FASCO Industries, Inc. Motor Division

Assembled In Mexico

No. 71638036	TYPE U63B1	T.P. AO
208-230 V	60 Hz	Class B
0.8 A	1550 RPM	1/35 HP
Model D477		Max Amb: 40°C

LR6319

**SAFETY WARNING**

This Motor Must Be Grounded in Accordance With Local Or National Electrical Codes To Prevent Possible Injury Due To Electrical Shock

61299553

FRONT SHAFT POSITION	* TYPICAL PERFORMANCE AT 208-230 VOLTS 60 Hz.												CUSTOMER: FASCO DIST.	FASCO MOTORS GROUP AC MOTOR/BLOWER DIVISION								
	HORIZONTAL 	MOTOR SPEED	IDLE			LOADED			LOCKED			BREAK	PART NUMBER: D477		APPLICATION: MOTOR WEIGHT: 4.50 LBS. ENVIRONMENT: DRY FINISH COLOR: BLACK DRAWN BY: S. DALTON DATE DRAWN: 7-9-2001	CONFIDENTIAL: DO NOT DUPLICATE OR DISCLOSE TO THIRD PARTIES WITHOUT WRITTEN PERMISSION OF FASCO MOTORS GROUP, AC MOTOR/BLOWER DIVISION.						
208 V			R.P.M.	AMP.	WATT	IN.OZ.	R.P.M.	AMP.	WATT	IN.OZ.	AMP.	WATT	IN.OZ.	MOTOR TYPE			DRAWING NUMBER					
CUSTOMER APPROVAL:	230 V	1770	.58	63	34.2	1550	.75	110	11.7	1.05	141	35.1	SHADED POLE	7163 8036								
SIGNED:													B	LA	FR	A	S	C	E	B	A	REV.
DATE:													00	63	28	V	06	JG	5	3	0	13