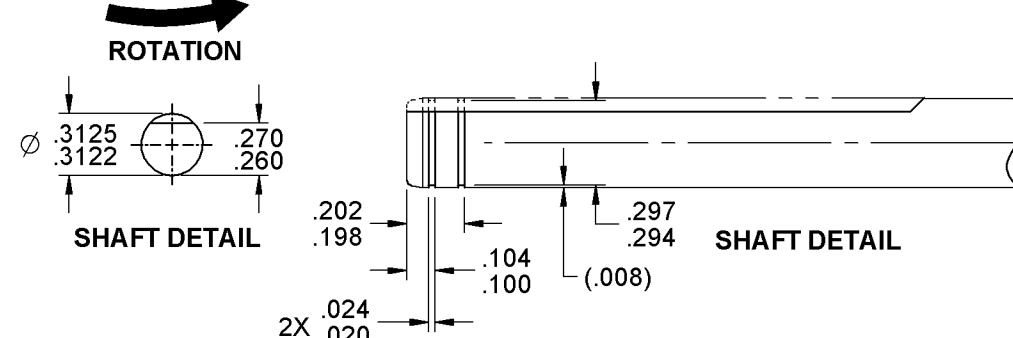
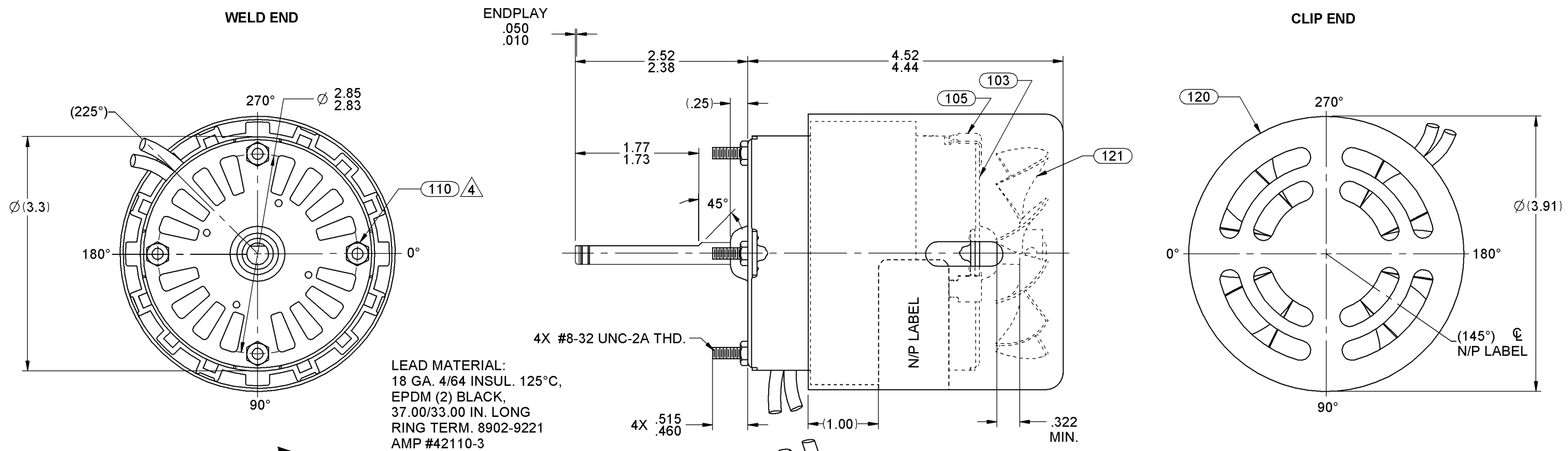


12	REVISED N/P FORMAT & REVISED NOTES & TOLERANCES TO CURRENT STANDARDS.	RPT 11/27/07	13	REMOVED BARCODE FROM NAMEPLATE LABEL	JLL 11-4-09	14	REVISED PACKING QUANTITY AND UPDATED PACKING NOTES	4005406 SD 5/2/2012	STANDARD TOLERANCES: ANGULAR +/- 1 DEGREE 2 PLACE DECIMAL +/- .01 3 PLACE DECIMAL +/- .005		
----	---	--------------	----	--------------------------------------	-------------	----	--	------------------------	---	--	--



NOTES:  
PACK 210 MOTORS MAX. PER PALLET.  
NO PACKAGING TAPE OVER CARTON LABEL.

0046-4072
0046-4282

Fasco Industries, Inc  
Motor Division

Assembled In Mexico  
No. 71638588  
460 V  
0.5 A  
Model D475

TYPE 63B1  
60 Hz  
1550 RPM

T.P. AO  
Class B

1/15 HP  
Max Amb: 40°C

**SAFETY WARNING**

This Motor Must Be Grounded in Accordance With Local Or National Electrical Codes To Prevent Possible Injury Due To Electrical Shock

61299553

<b>FRONT SHAFT POSITION</b>	<b>TYPICAL PERFORMANCE AT 460 VOLTS 60 Hz.</b>												<b>CUSTOMER:</b> FASCO DISTRIBUTING	<b>FASCO MOTORS GROUP AC MOTOR/BLOWER DIVISION</b>								
UP  DOWN	<b>MOTOR SPEED</b>	<b>IDLE</b>			<b>LOADED</b>			<b>LOCKED</b>			<b>BREAK</b>	<b>PART NUMBER:</b> D 475	CONFIDENTIAL: DO NOT DUPLICATE OR DISCLOSE TO THIRD PARTIES WITHOUT WRITTEN PERMISSION OF FASCO MOTORS GROUP, AC MOTOR/BLOWER DIVISION.									
<b>HORIZONTAL</b>		R.P.M.	AMP.	WATT	IN.OZ.	R.P.M.	AMP.	WATT	IN.OZ.	AMP.	WATT	IN.OZ.		<b>APPLICATION:</b> REFRIGERATION	<b>MOTOR TYPE</b>	<b>DRAWING NUMBER</b>						
<b>CUSTOMER APPROVAL:</b>	1763	.49	120	46.5	1550	.58	183	22.1	.79	258	52.5	<b>MOTOR WEIGHT:</b> 5.00 LBS.	<b>SHADED POLE</b>		<b>7163 8588</b>							
<b>SIGNED:</b>												<b>ENVIRONMENT:</b> DRY	<b>B</b>	<b>LA</b>	<b>FR</b>	<b>A</b>	<b>S</b>	<b>C</b>	<b>E</b>	<b>B</b>	<b>A</b>	<b>REV.</b>
<b>DATE:</b>												<b>FINISH COLOR:</b> BLACK	00	63	28	V	07	OG	5	3	0	<b>14</b>
												<b>DRAWN BY:</b> J. TINDLE										
												<b>DATE DRAWN:</b> 8-27-2002										

If Printed, this is an Uncontrolled Document.