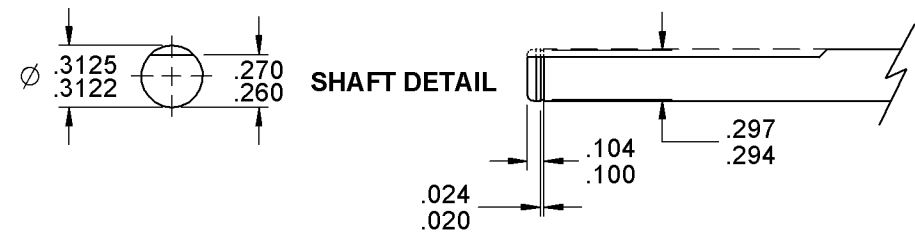
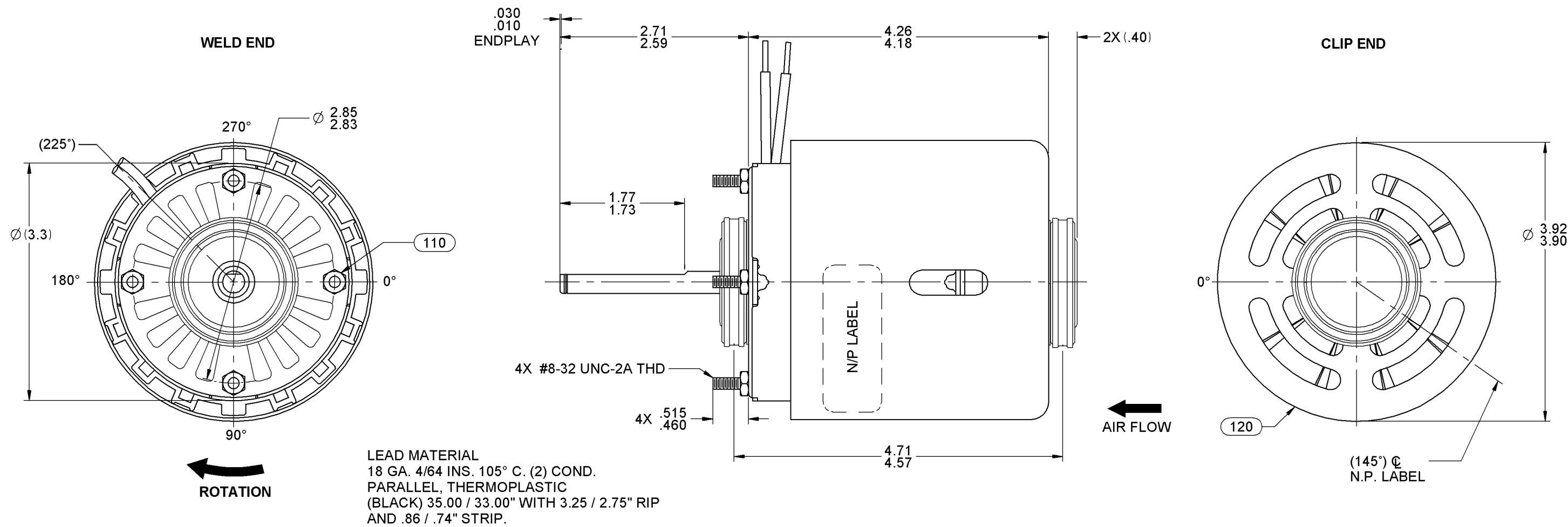


11	CHANGED LABEL LAYOUT	MLM 11/19/07	12	PICTORIALLY REMOVED BARCODE FROM N/P LABEL	SD 2-11-10	13	UPDATED PACKING NOTES	4005455 SD 5/8/2012	STANDARD TOLERANCES: ANGULAR +/- 1 DEGREE 2 PLACE DECIMAL +/- .01 3 PLACE DECIMAL +/- .005
----	----------------------	--------------	----	--	------------	----	-----------------------	------------------------	---



NOTES:
PACK 210 MAX. MOTORS PER PALLET.
NO PACKAGING TAPE OVER CARTON LABEL.

0046-4072
0046-4282

FASCO Motor Division

Assembled in Mexico

No. 71638152 TYPE U63B1 T.P. AO

115 V 60 Hz Class B

2.0 A 1550 RPM 1/20 HP

Model D472 Max Amb: 40°C

LR6319

SAFETY WARNING

This Motor Must Be Grounded in Accordance With Local Or National Electrical Codes To Prevent Possible Injury Due To Electrical Shock

61299553

FRONT SHAFT POSITION	* TYPICAL PERFORMANCE AT 115 VOLTS 60 Hz.												CUSTOMER: FASCO DIST.	FASCO FASCO MOTORS GROUP AC MOTOR/BLOWER DIVISION								
HORIZONTAL	MOTOR SPEED	IDLE			LOADED				LOCKED			BREAK	CONFIDENTIAL: DO NOT DUPLICATE OR DISCLOSE TO THIRD PARTIES WITHOUT WRITTEN PERMISSION OF FASCO MOTORS GROUP, AC MOTOR/BLOWER DIVISION.									
		R.P.M.	AMP.	WATT	IN.OZ.	R.P.M.	AMP.	WATT	IN.OZ.	AMP.	WATT	IN.OZ.	MOTOR TYPE				DRAWING NUMBER					
CUSTOMER APPROVAL:		1754	1.60	85	42.0	1550	1.93	143	11.8	2.77	194	42.2	SHADED POLE				7163 8152					
SIGNED:													FINISH COLOR: BLACK				REV. 13					
DATE:													DRAWN BY: J. TINDLE				DATE DRAWN: 01-25-2002					
													B	LA	FR	A	S	C	E	B	A	REV.
													00	63	28	V	05	FF	5	3	0	13

If Printed, this is an Uncontrolled Document.